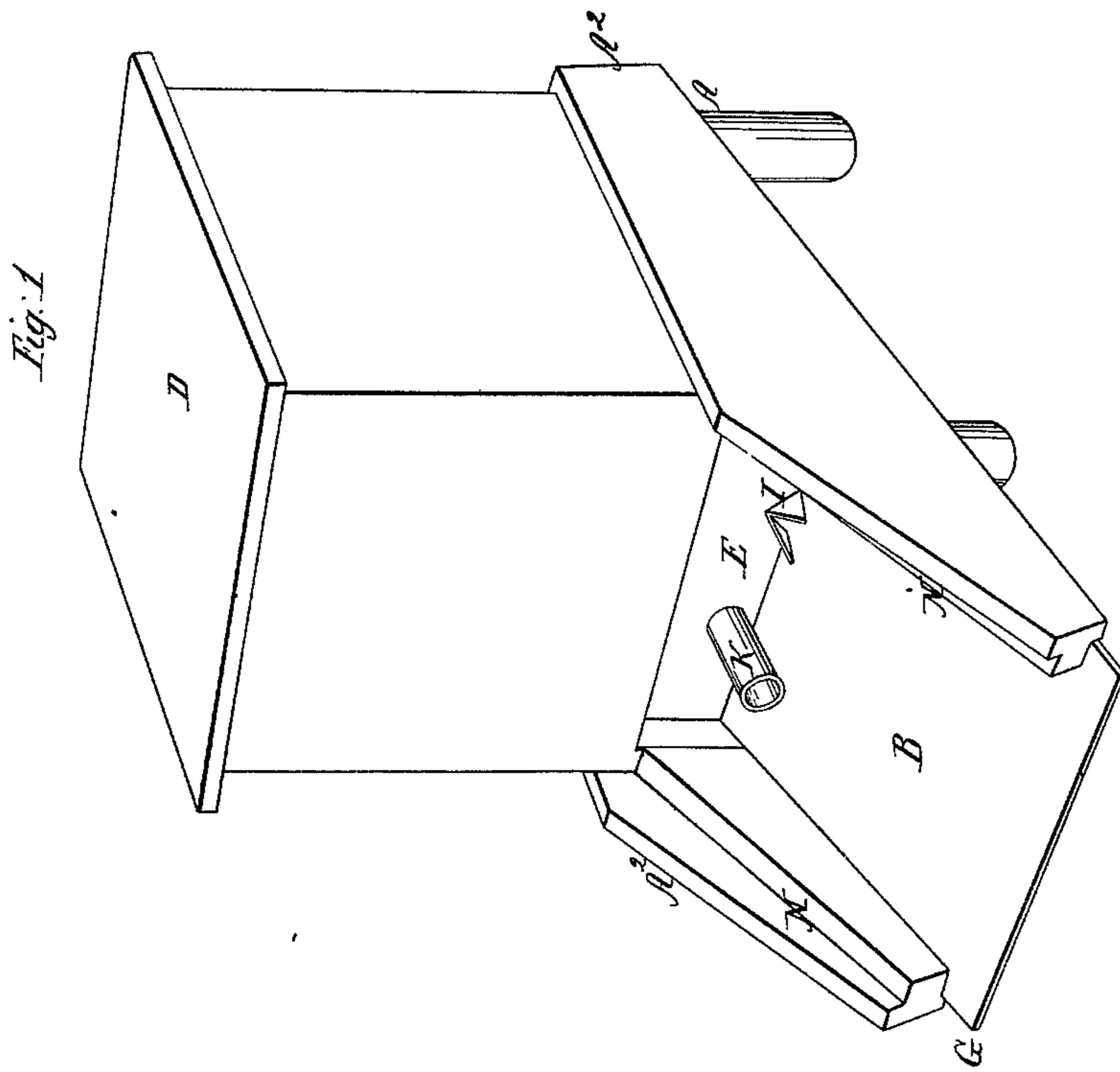
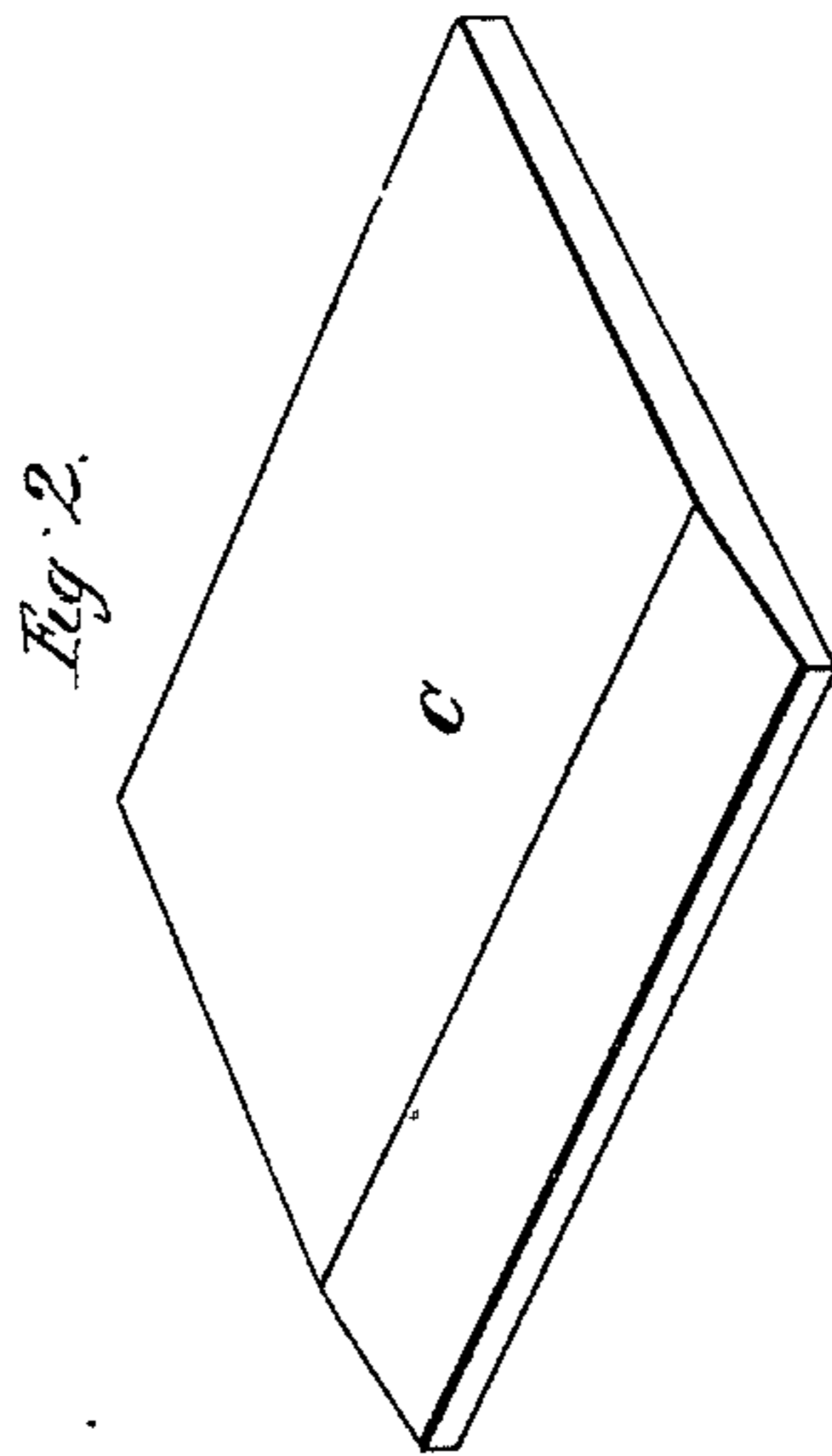


*J. E. Ross.*

*Bee Hive.*

*N<sup>o</sup> 2,707.*

*Patented Jul. 8, 1842.*



# UNITED STATES PATENT OFFICE.

JAMES E. ROSS, OF MOUNT SIDNEY, VIRGINIA.

## BEEHIVE.

Specification of Letters Patent No. 2,707, dated July 8, 1842.

*To all whom it may concern:*

Be it known that I, JAMES E. ROSS, of Mount Sidney, in the county of Augusta and State of Virginia, have invented a new and useful Improvement in Beehives for the Protection and Preservation of Bees, which is described as follows, reference being had to the annexed drawings of the same, making part of this specification.

Figure 1 is a perspective view. Fig. 2 is a view of the lid removed.

My invention consists in constructing a stand A of any convenient size upon four feet; the rear feet to be from one to six inches longer than the front feet (varying according to the size of the stand) so that the stand may have a slanting or sloping position.

The stand consists of a board B beveled off from the front edge about five inches on the upper side; on the sides and rear of this board and fastened to it is a frame A<sup>2</sup> projecting above the board, about an inch in the rear and about three inches at the top or upper edge of the bevel, thence tapers off to the front edge G of the board to about three fourths of an inch in height above the board; over the beveled part of the stand resting on the frame is placed a hive D with a sloping end, so as to stand perpendicularly, and fit close (excepting the front) upon the stand.

Between the stand and lower end of the front of the hive, and fastened to the hive,

is a piece of tin plate E which fits close upon the stand; in this tin plate are holes I for the egress and ingress of the bees, around these holes the tin is made to project outward or tubes K are placed. The hive is made of any convenient height or form so as to suit the stand. In or upon the top of the hive may be placed drawers or boxes in the usual way, to remove the honey. When it is desired to have a swarm of bees, the hive is removed from the stand to receive them; and when they are in the hive it is replaced upon the stand, and they are secure.

In rabbets or grooves N in the sides of the frame A<sup>2</sup> and over the front of the stand B is placed a top or lid C extending to within a short distance of the outer edge of the stand B and removable at pleasure.

The top C, Fig. 2 is removed from the front B in Fig. 5 in order to show the tin plate E. When inserted in its place the front B should project beyond its lower edge to form a ledge for the bees to light on.

What I claim as my invention and which I desire to secure by Letters Patent, consists of

The combination of the stand, and the tin plate (attached to the front of the hive) with its appurtenances as herein set forth.

JAMES E. ROSS.

Witnesses:

DAVID LINK,  
ANDERSON D. MOORE.