

E. PEPPLE.

Bee Hive.

No. 3,141.

Patented June 24, 1843.

Fig. 3

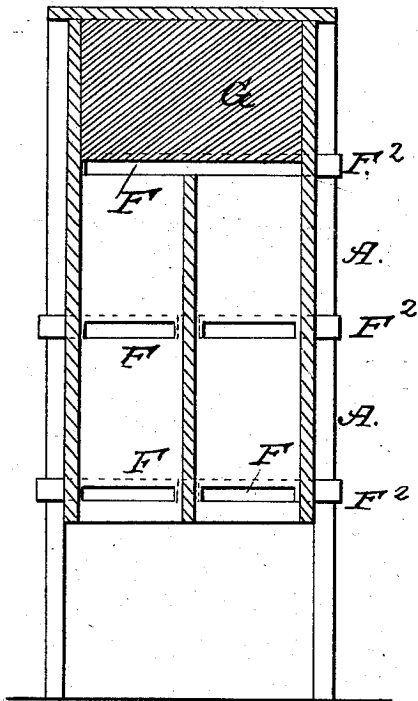


Fig. 2

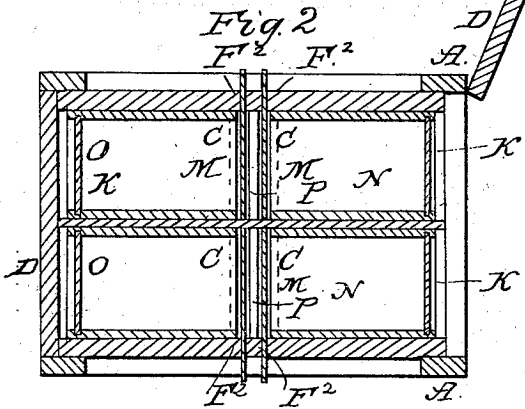
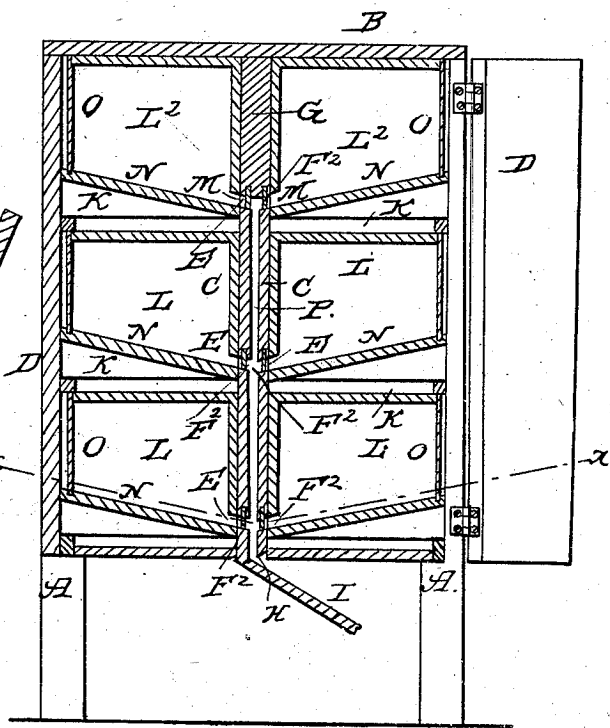


Fig. 1



E. PEPPLE.

Bee Hive.

No. 3,141.

Patented June 24, 1843.

Fig. 3

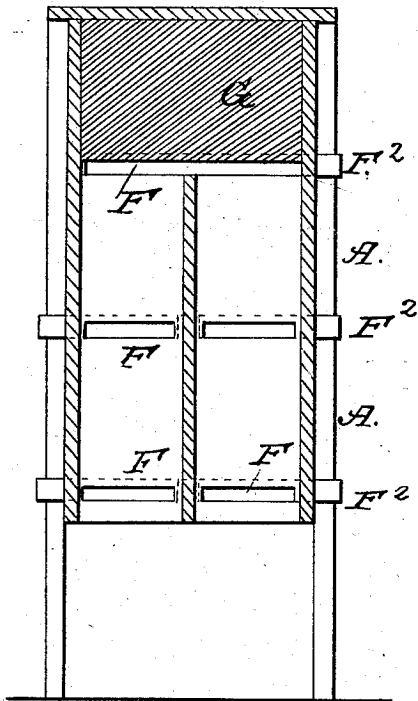


Fig. 2

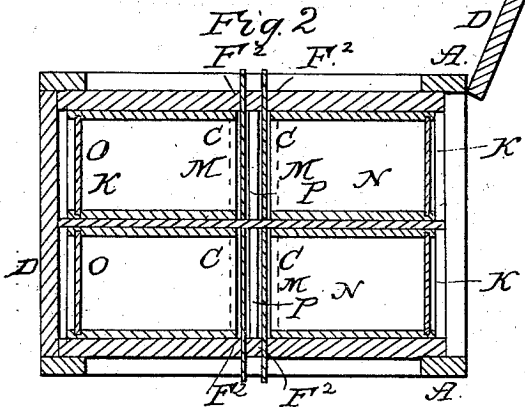


Fig. 1

