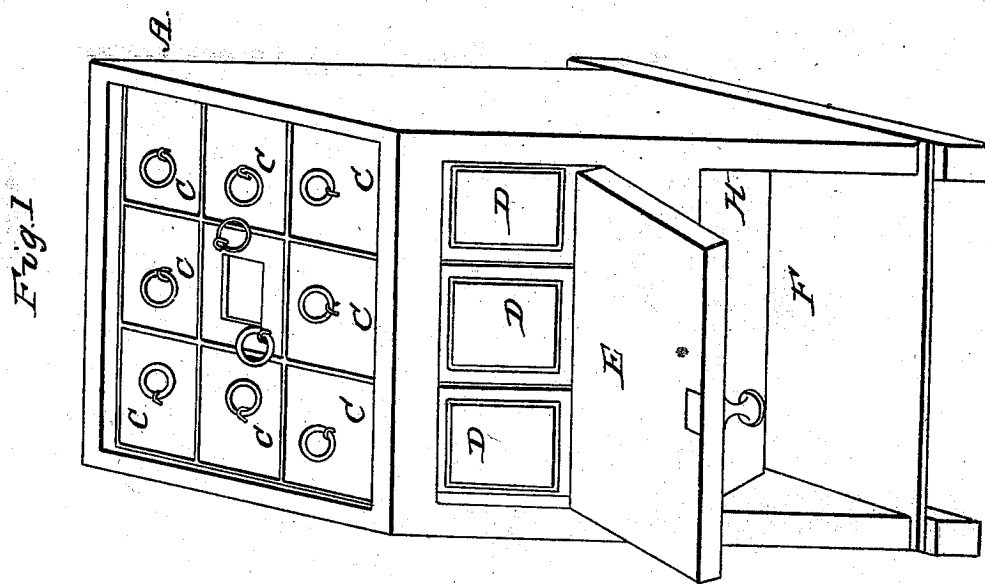
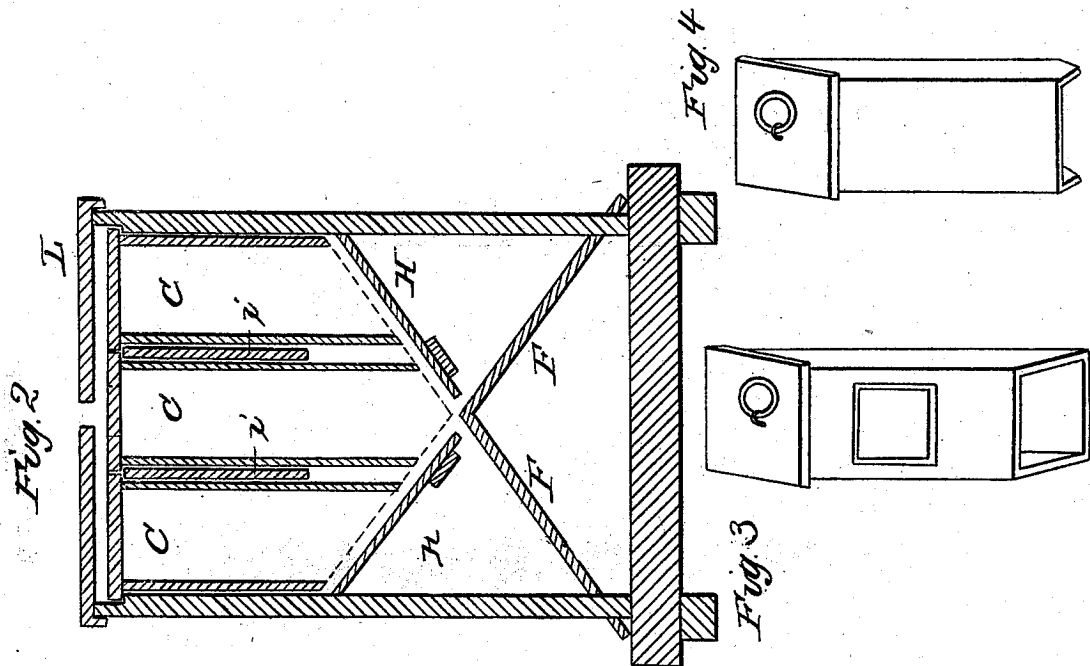


J. MILLER.
Honey Comb Frame.

No. 3,325.

Patented Nov. 6, 1843.



J. MILLER.
Honey Comb Frame.

No. 3,325.

Patented Nov. 6, 1843.

