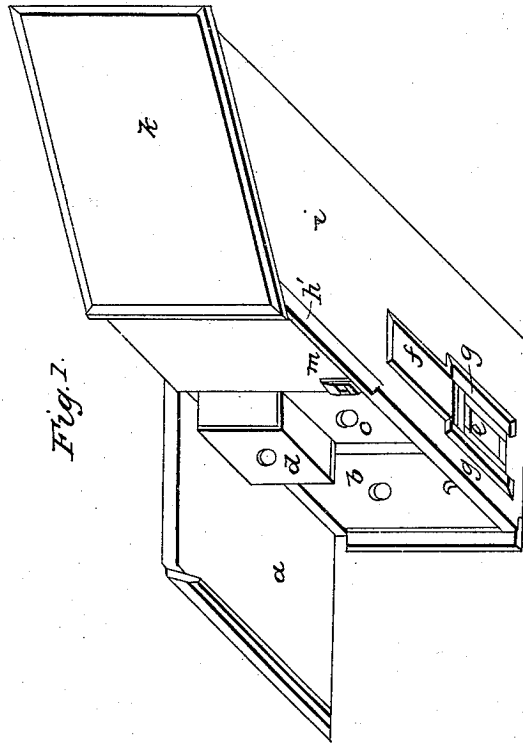
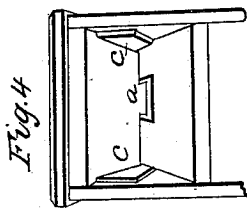
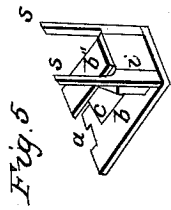
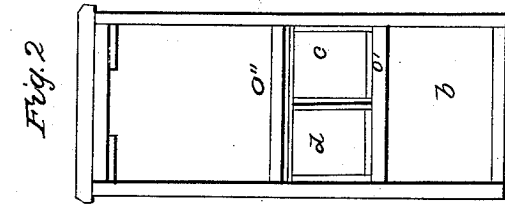
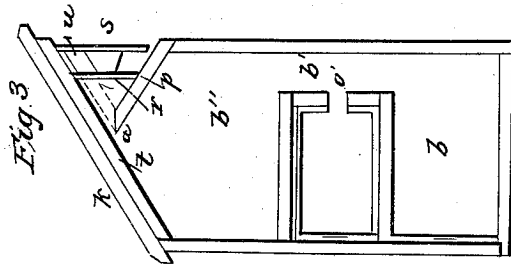


E. PARKS.  
Bee Hive.

No. 4,116.

Patented July 22, 1845.



E. PARKS.  
Bee Hive.

No. 4,116.

Patented July 22, 1845.

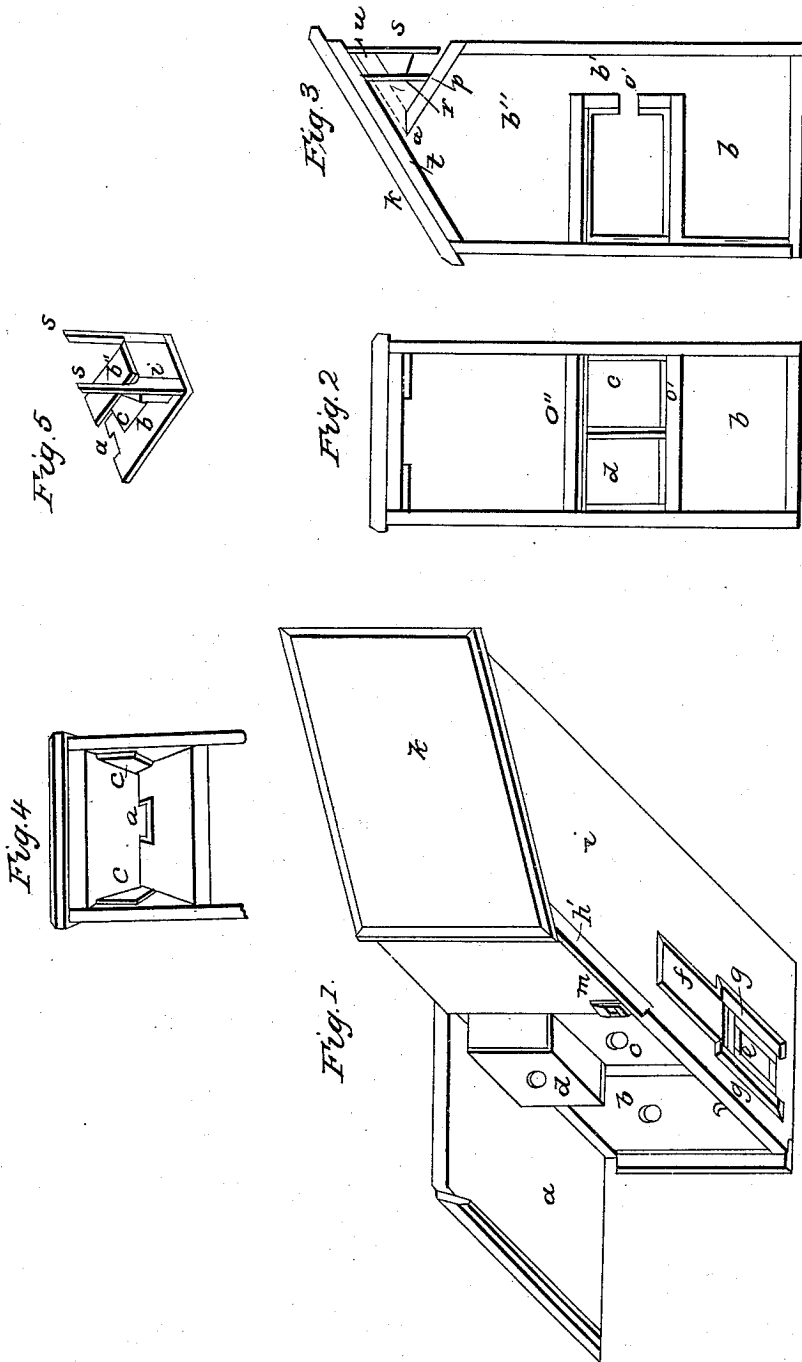


Fig. 3. C, C are the cleats mentioned in the description of Fig. 3.

Fig. 5 is an inverted sketch of the slide blinds. B is the outer and B' the inner  
5 blinds, A the entrance through the outer blind; S, S, the slides, C, and L the stay blocks.

Operation: The hole at the upper end of the hive is calculated for the double purpose of a passage for the bees; and ventilating the hive, the fact is if the only passage for the bees to the hive is at the upper end of the hive the bees will have their dry combs and combs of increase in the upper  
10 apartment; and the body of bees will always be found there; their inleads also through their combs will all tend to the same point (the passage) which will give their breath free passage out of the hive; the honey being deposited below is preserved from the  
15 damps which is caused by the breath of the bees which is very injurious to the flavor of the honey; 2d, it is the best mode of ventilating; the aperture being large and  
20 the bees living near as before stated their breath passes readily out through the regulating blinds before it is condensed to frost or ice; and if any part of it adheres to the blinds the construction of the roof is such  
25 as at P, Fig. 3, that when it melts it is immediately carried out of the hive.

The application of the apartment for drawers near the center of the hive as A and C, Fig. 2, is found far preferable to  
35 placing them in the upper part of the hive on the following considerations: 1st, if the drawers are placed in the upper part of the hive the bees will seldom deposit honey in them which difficulty is obviated by placing  
40 them in the center of the hive. 2d, the honey is much better flavored, as it is not injured by the breath of the bees; as in the hives now in common use.

The lower apartment, b Fig. 2, is in-  
45 tended as a storehouse or place of deposit

for honey that the bees may not fill their combs with honey which would otherwise be filled with increase.

The regulating blinds as seen at S Fig. 3 are intended to prevent the robbing bee  
50 from doing damage to the colony within; they should usually be raised on the slide so as to give free passage for the bees under the inner blind S, S, Fig. 3, but should the robbers commence their depredations  
55 they should be slid down close; the hole in the blinds being smaller than that of the passage into the hive those within will effectually defend themselves.

The application of a wire screen as seen  
60 at E Fig. 1 at the lower end of the hive to receive air has a very different operation than it would have if it were placed at the top of the hive; if placed above the bees an hour in cold weather is sufficient time for it  
65 to become coated with frost so as to be entirely useless; but if placed below the bees it will remain clear and there will always be a current of fresh air passing through the hive; another consideration is that my  
70 hives effectually prevent the bee moth and all other insects from doing damage to the contents of the hive being made tight at bottom the bee moth can not gain admission unless it be at the passage of the bees which  
75 they can never do.

What I claim as my invention and which I desire to secure by Letters Patent, is—

The manner in which I construct my hive as before described, that is to say placing  
80 the small boxes, usually called the honey boxes, below the main hive and entrance; substantially in the manner described. The mode practiced by all others being to place the honey boxes above the entrance for the  
85 bees.

ELIAS PARKS.

Witnesses:

ALBERT E. JOHNSON,  
T. C. DONN.