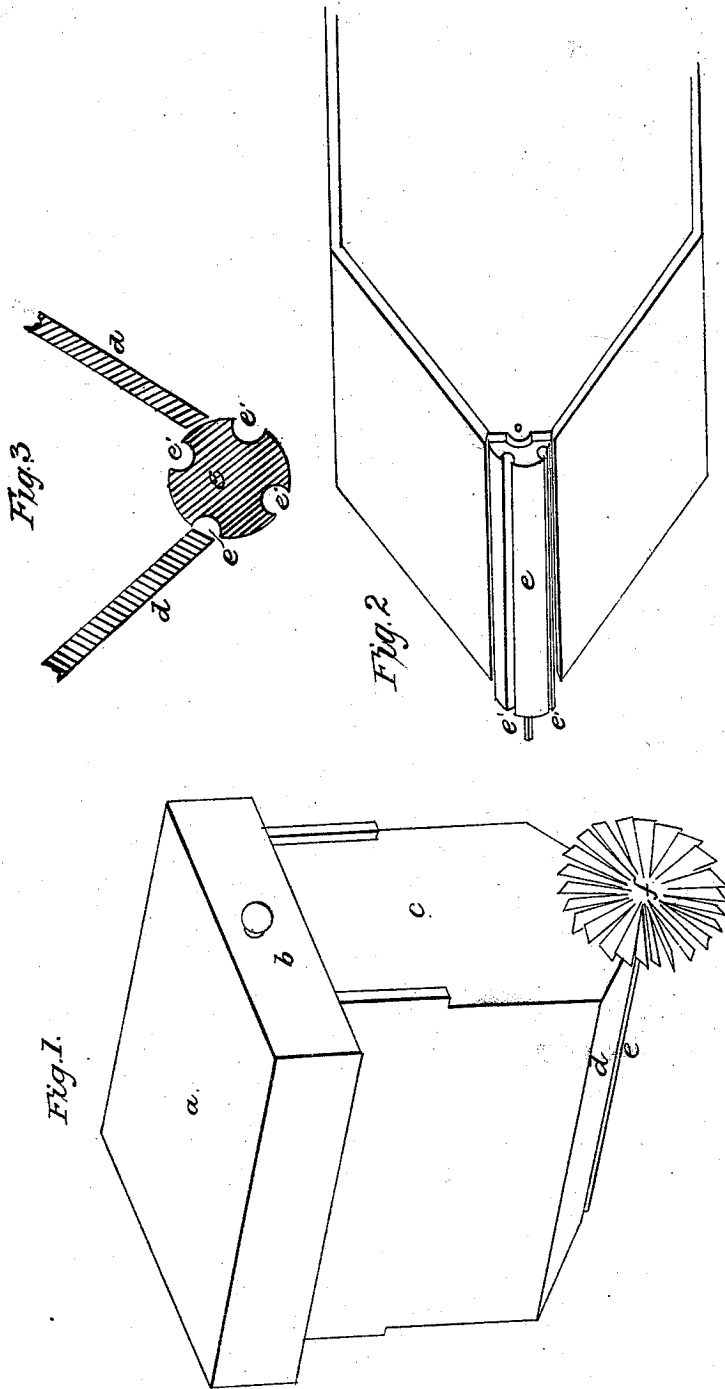


G. FLETCHER, Sr.
Bee Hive.

No. 7,212.

Patented March 26, 1850.



G. FLETCHER, Sr.
Bee Hive.

No. 7,212.

Patented March 26, 1850.

