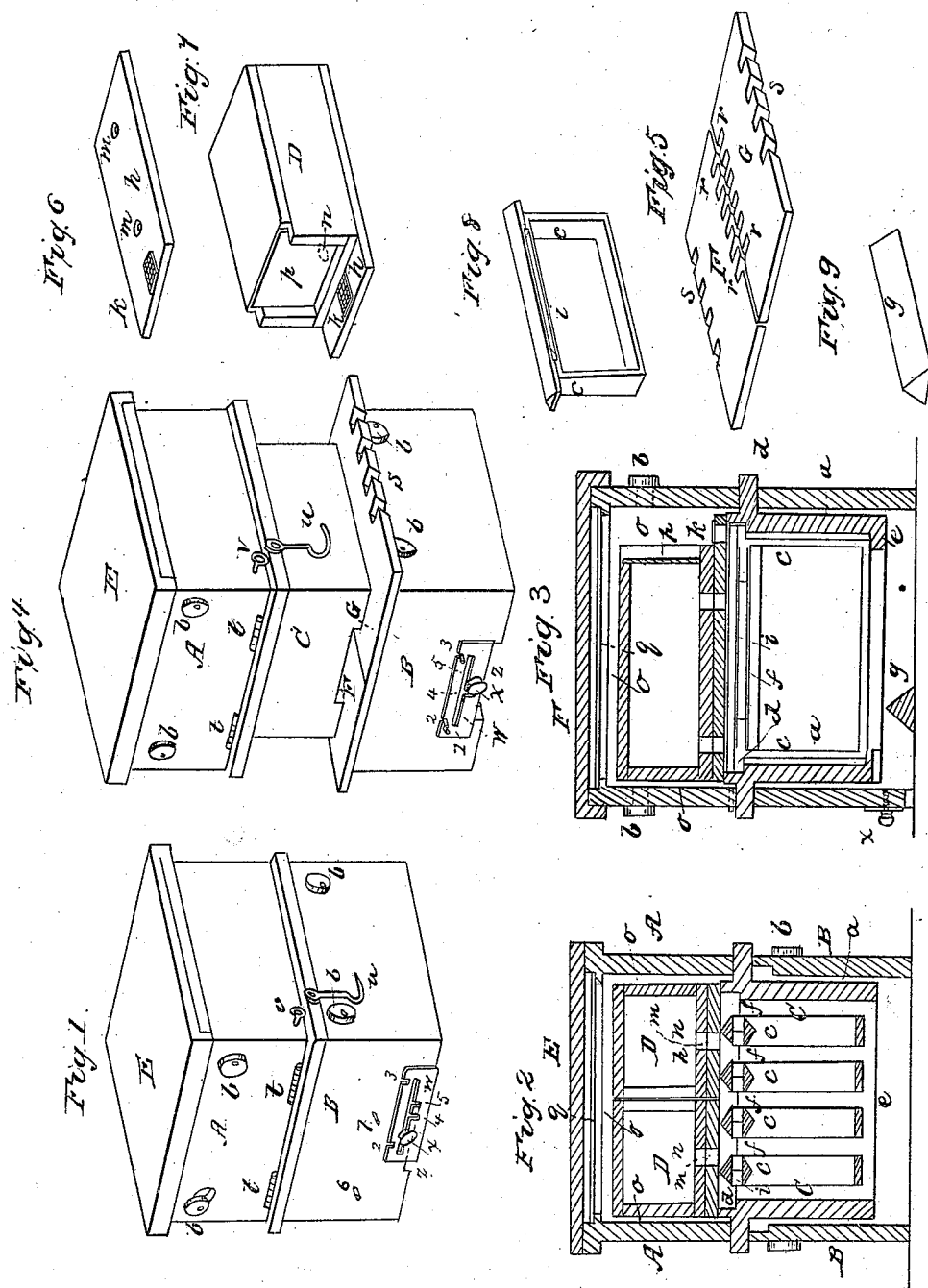


K. P. KIDDER.

Bee Hive.

No. 19,931.

Patented April 13, 1858.

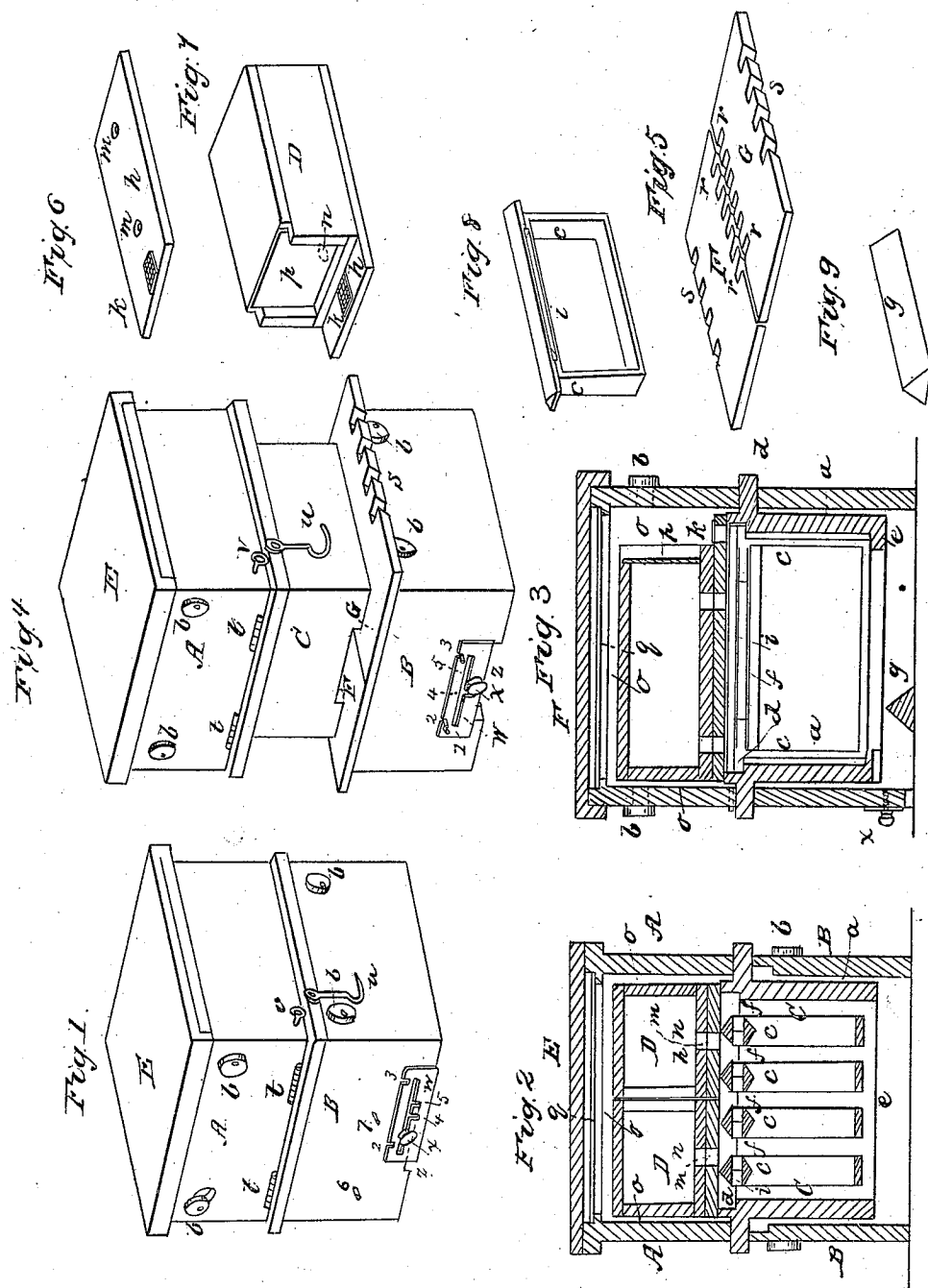


K. P. KIDDER.

Bee Hive.

No. 19,931.

Patented April 13, 1858.



**Invalid URL. (4)**

**Please click on the Full Text button  
to return to the full text page.**