

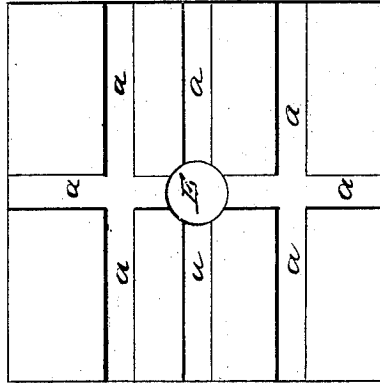
T. PROSSER.

Bee Hive.

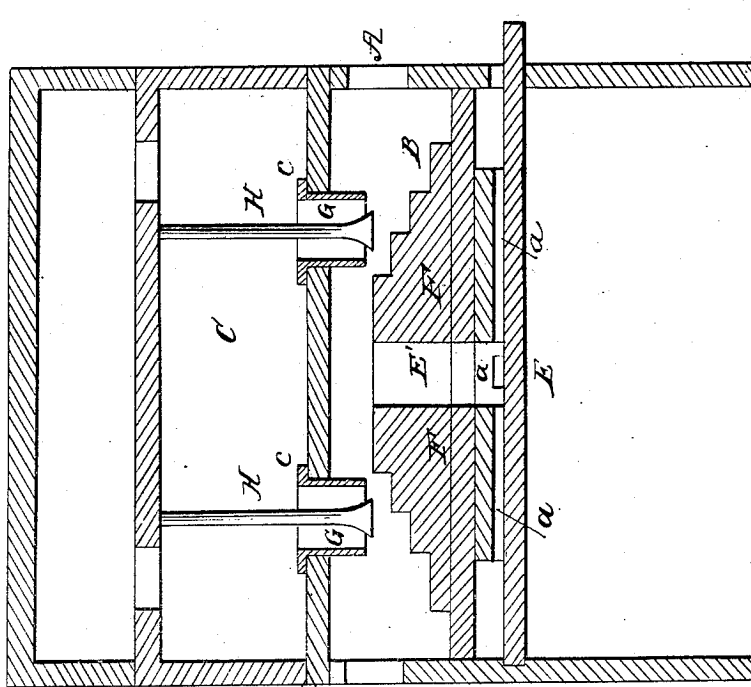
No. 20,508.

Patented June 8, 1858.

*Fig. 2.*



*Fig. 1.*



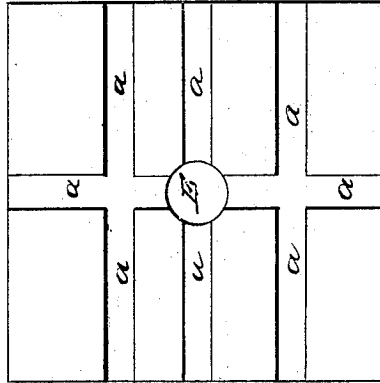
T. PROSSER.

Bee Hive.

No. 20,508.

Patented June 8, 1858.

*Fig. 2.*



*Fig. 1.*

