

T. S. UNDERHILL.

Bee Hive.

No. 26,452.

Patented Dec. 13, 1859.

Fig. 2.

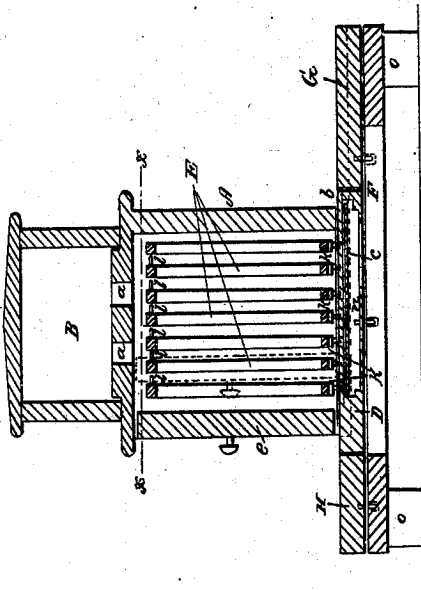


Fig. 4.

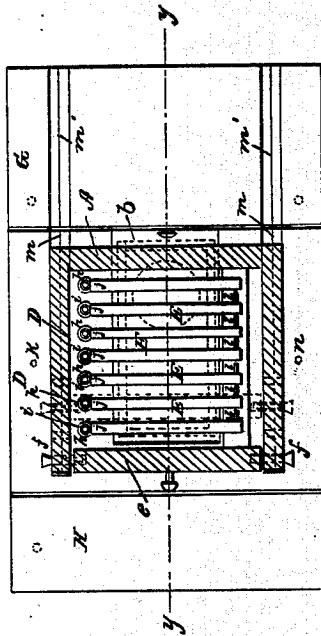


Fig. 1.

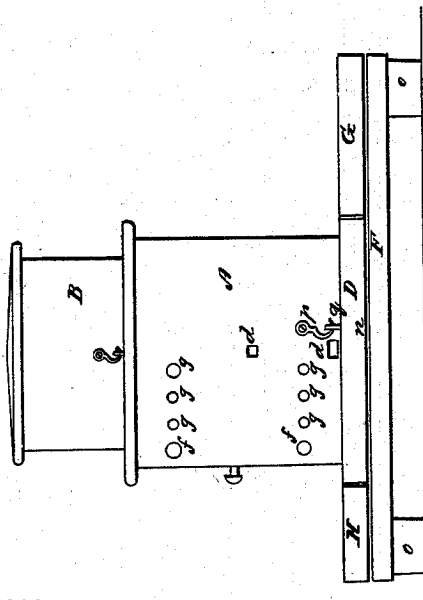
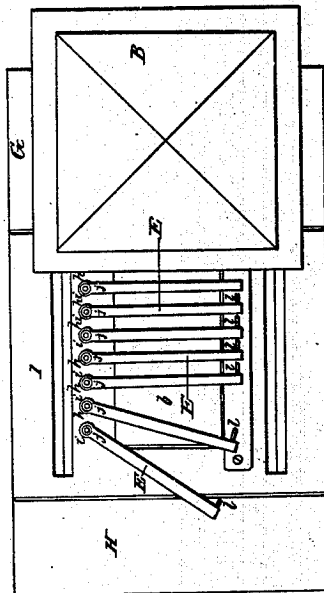


Fig. 3.



Witnesses,  
Clinton A. Moon  
J. M. Mann.

Inventor,  
T. S. Underhill.

T. S. UNDERHILL.

Bee Hive.

No. 26,452.

Patented Dec. 13, 1859.

Fig. 2.

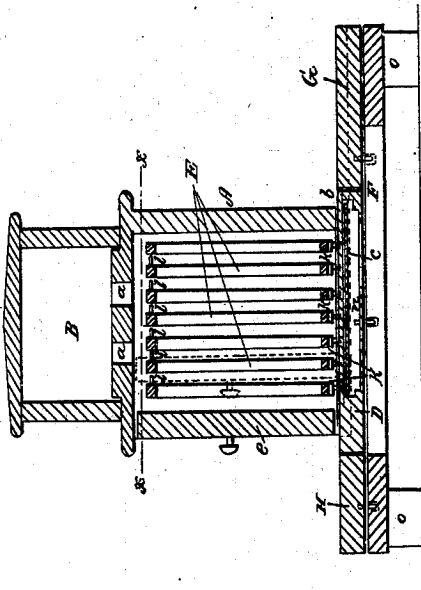


Fig. 4.

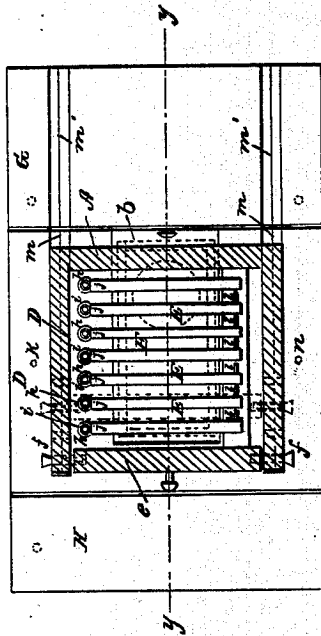


Fig. 1.

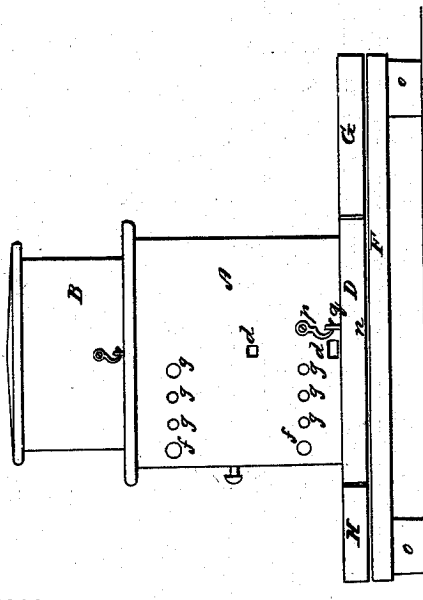
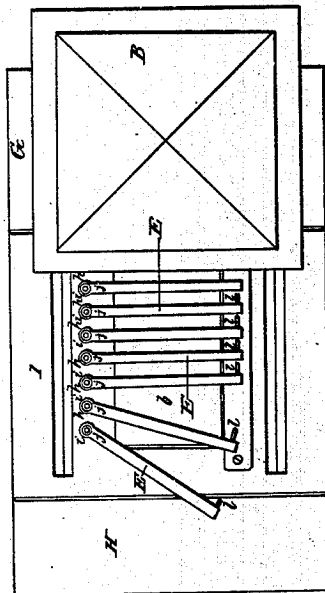


Fig. 3.



Witnesses,  
Clinton A. Moon  
J. M. Mann.

Inventor,  
T. S. Underhill.

Fig. 3, and if necessary each frame can be slipped off from its rod *h*, and moth or other intruders removed. In fact by this invention the hive is placed fully under the control of the owner, and the frames E, may be manipulated with such facility that by the aid of any ordinary soother, such as tobacco, the bees will be perfectly tractable and not in the least irritable. In case a colony of bees has more combs than they can occupy or is necessary for them to have the frames E, containing the empty combs can be removed and also their rods *h*, and the slide *e*, shoved inward and secured by the pins *f*, so that the remaining filled combs will occupy the whole hive. This is an essential feature of the invention for the hive is kept at a proper temperature in winter by the animal heat of the bees and if the hive is larger than the size of the colony requires, the latter may perish on account of being unable to keep warm. The end pieces G, H, serve to retain the frames E, when they are swung outward, the board G, also receiving as previously alluded to the main part A, of the hive when shoved off from the frames E. The object of having the adjustable boards G H, is that one

pair will answer for a whole apiary, as the frames F, of all the hives may be made precisely similar, and if hives are to be removed for wintering the board D, is all that is required to be moved with the hive. The holes *g*, that are not in use may be plugged loosely with pins.

I am aware that movable frames E, have been previously used in bee hives and I do not claim such broadly or irrespective of the arrangement herein before described, but,

I do claim as new and desire to secure by Letters Patent,

1. The arrangement of the movable frames E, in combination with the sliding hive A, and adjustable side *e*, substantially as, and for the purpose set forth.

2. The arrangement of the adjustable boards G, H, and D, placed on a frame F, when said parts are constructed as described and used in connection with the sliding hive A, for the purpose specified.

T. S. UNDERHILL.

Witnesses:

CLINTON A. MOON,  
F. M. MOON.