

D. ARNDT.

Bee Hive.

No. 29,658.

Patented Aug. 21, 1860.

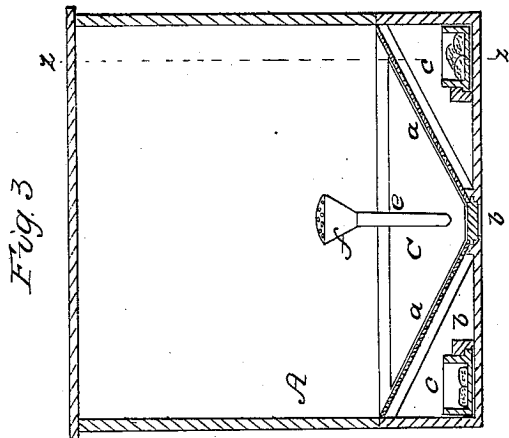


Fig. 3

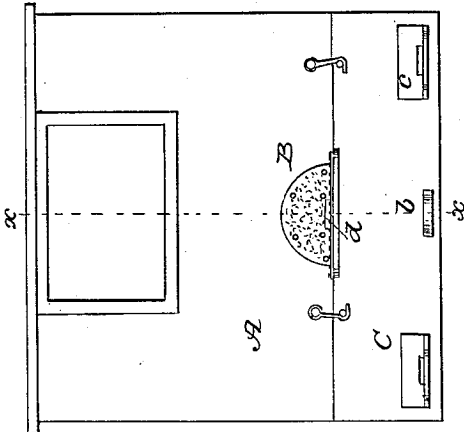


Fig. 2

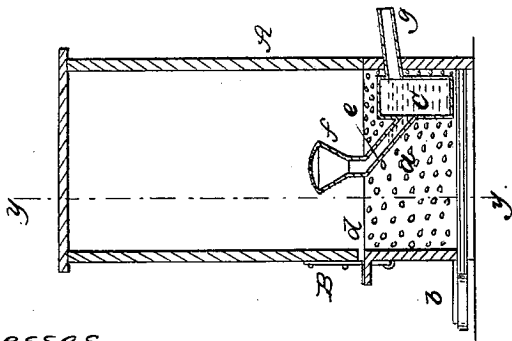
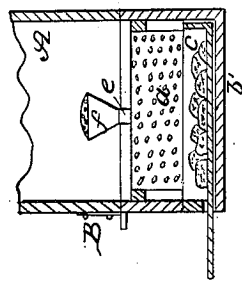


Fig. 4

Fig. 4



Witnesses
 Q. S. Spencer
 J. W. Coombs

Inventor
 Dail Smith
 per Munn
 attorney

D. ARNDT.

Bee Hive.

No. 29,658.

Patented Aug. 21, 1860.

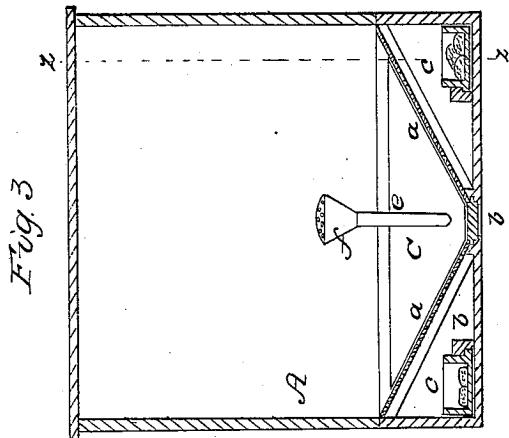


Fig. 3

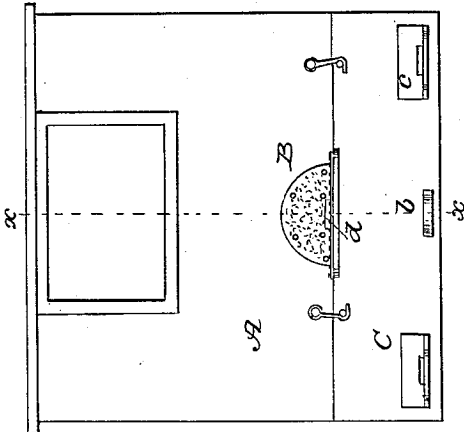


Fig. 2

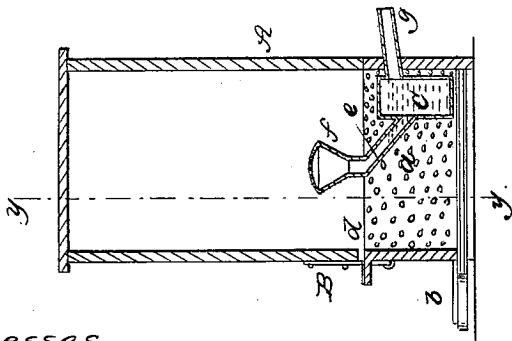
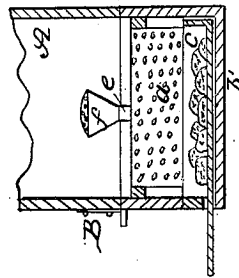


Fig. 1

Fig. 4



Witnesses
 Q. S. Spencer
 J. W. Coombs

Inventor
 Dail Smith
 per Munnell
 attorney