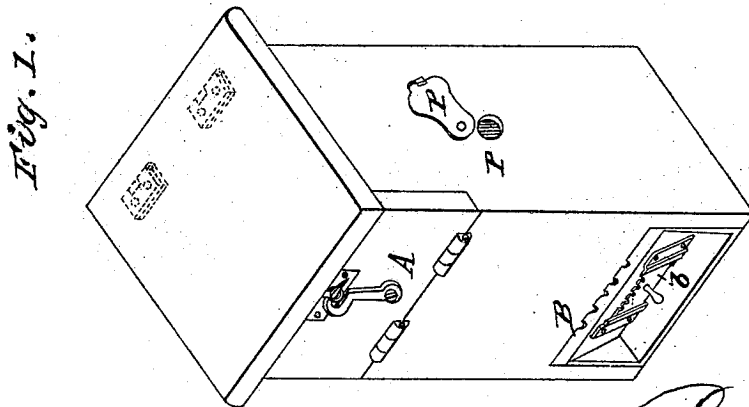
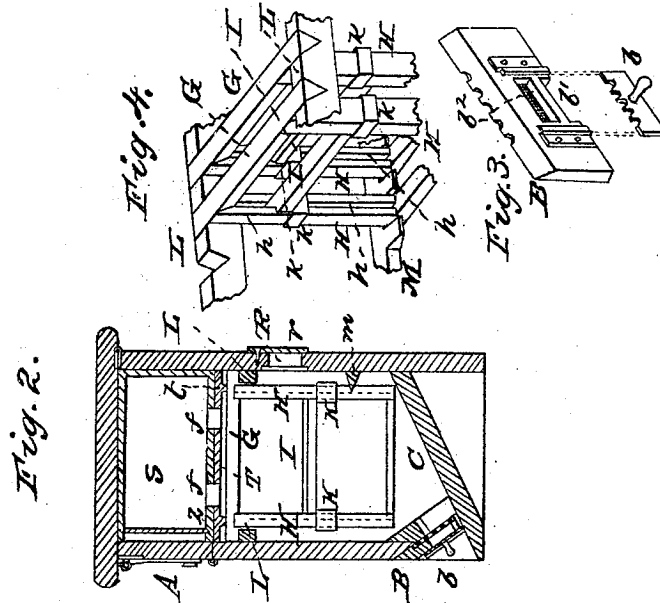


R. RAMSEY.

Bee Hive.

No. 34.094.

Patented Jan. 7, 1862.



Witnesses:  
*Delamater*  
*W. D. Dunder*

Inventor:

*Robert Ramsey*  
*Geo. Minnals*  
 Attorneys.

# UNITED STATES PATENT OFFICE.

ROBERT RAMSEY, OF NEW WILMINGTON, PENNSYLVANIA.

## IMPROVEMENT IN BEE-HIVES.

Specification forming part of Letters Patent No. 34,094, dated January 7, 1862.

### *To all whom it may concern:*

Be it known that I, ROBERT RAMSEY, of New Wilmington, in the county of Lawrence and State of Pennsylvania, have invented a new and useful Improvement in Bee-Hives; and I do hereby declare that the following is a full, clear, and exact description of the same, reference being had to the accompanying drawings, making part of this specification, in which—

Figure 1 is a perspective view of my improved hive. Fig. 2 is a vertical section at  $x$ , Fig. 1. Fig. 3 is a perspective view of the door and shutter hereinafter described. Fig. 4 is a perspective view of a portion of the comb-frames and the supports thereof on a larger scale.

Similar letters of reference indicate corresponding parts in the several figures.

My said invention consists, first, in an improved construction and combination of door and shutter; second, in an improved shifting device for supporting the combs in the movable frames.

To enable others skilled in the art to make and use my invention, I will proceed to describe its construction and operation.

The hive may be made of customary rectangular form with a hinged top and hinged shutter A for the purpose of inserting and removing the surplus honey-boxes.

B is an oblique slide in the lower part of the front wall of the hive. The said slide is provided with a reversible sliding door  $b$ , notched upon its upper edge, as shown in Figs. 1 and 3. Beneath the door  $b$  the slide B is recessed at  $b'$  to permit the ingress and egress of the bees when the door is open, and higher up has an aperture  $b^2$ , covered with wire-gauze to admit air when the door is closed.

C is the sloping floor of the hive. The comb-frames consist of horizontal bars G, made triangular to give direction to the building of the comb, and vertical bars H depending from the bars G. The said frames rest at top upon cleats or brackets L and are steadied at their lower ends by notched brackets M.

I represents a horizontal bar inserted at its ends in longitudinal grooves  $h$  in each vertical piece H of the comb-frame.

K K are sleeves sliding upon the frames H to support the bar I at any desired height. By this means the said bar may be inserted or removed with the greatest ease, and readily secured at any desired point.

S represents one of the surplus honey-boxes. The said boxes rest upon a movable floor T supported by the comb-frames G H.

$t t$  are ribs upon the under sides of the floor, which provide a sufficient space between the latter and the comb-frames to allow the bees to pass freely.

$f f$  are the holes through which the bees enter the honey-boxes. P is a ventilation aperture in the upper part of the hive covered with wire-gauze and closable by means of a shutter  $p$ .

R represents a glass window, of which two may be inserted in the back of the hive for the purpose of inspecting the interior. The said windows are covered by shutters  $r$ .

To admit the bees in hiving or to remove worms or cleanse the hive, the slide B is removed bodily. The door  $b$  is employed to shut in the bees or to shut out intruders when necessary. The gauze-covered aperture  $b^2$  is so placed as to be covered by the door when the latter is open, and uncovered when it is shut. By this means an equal ventilation is provided in every position of the door. By turning the door over, so that the notches will be downward, the drones may be excluded, while ingress is afforded to the working bees.

Having thus described my invention, what I claim as new, and desire to secure by Letters Patent, is—

1. The combination of the slide B, reversible sliding door  $b$ , and gauze-covered aperture  $b^2$ , all arranged as hereinbefore explained, and for the purposes specified.

2. While disclaiming the exclusive use of of sliding bars to secure combs of any size within the frames I claim the specific combination of the grooved bars H H, movable bars I, and sliding sleeves K, constructed and employed in the manner and for the purposes set forth.

ROBERT RAMSEY.

Witnesses:

D. F. MCCREADY,  
THOMAS POMEROY.