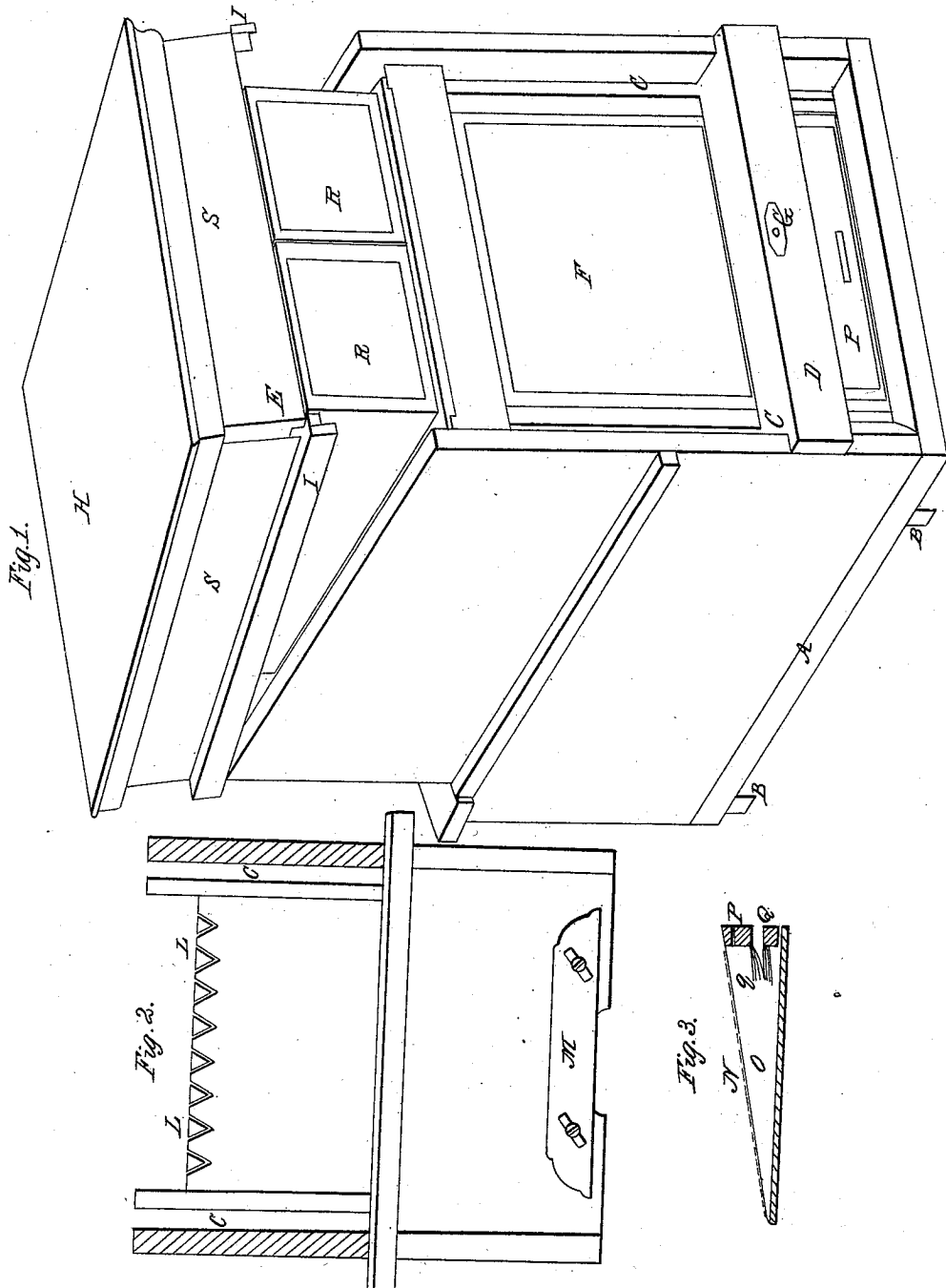


J. L. REID.

Bee Hive.

No. 36,169.

Patented Aug. 12, 1862.



Witnesses:
Edw. P. Brown.
J. L. Reid

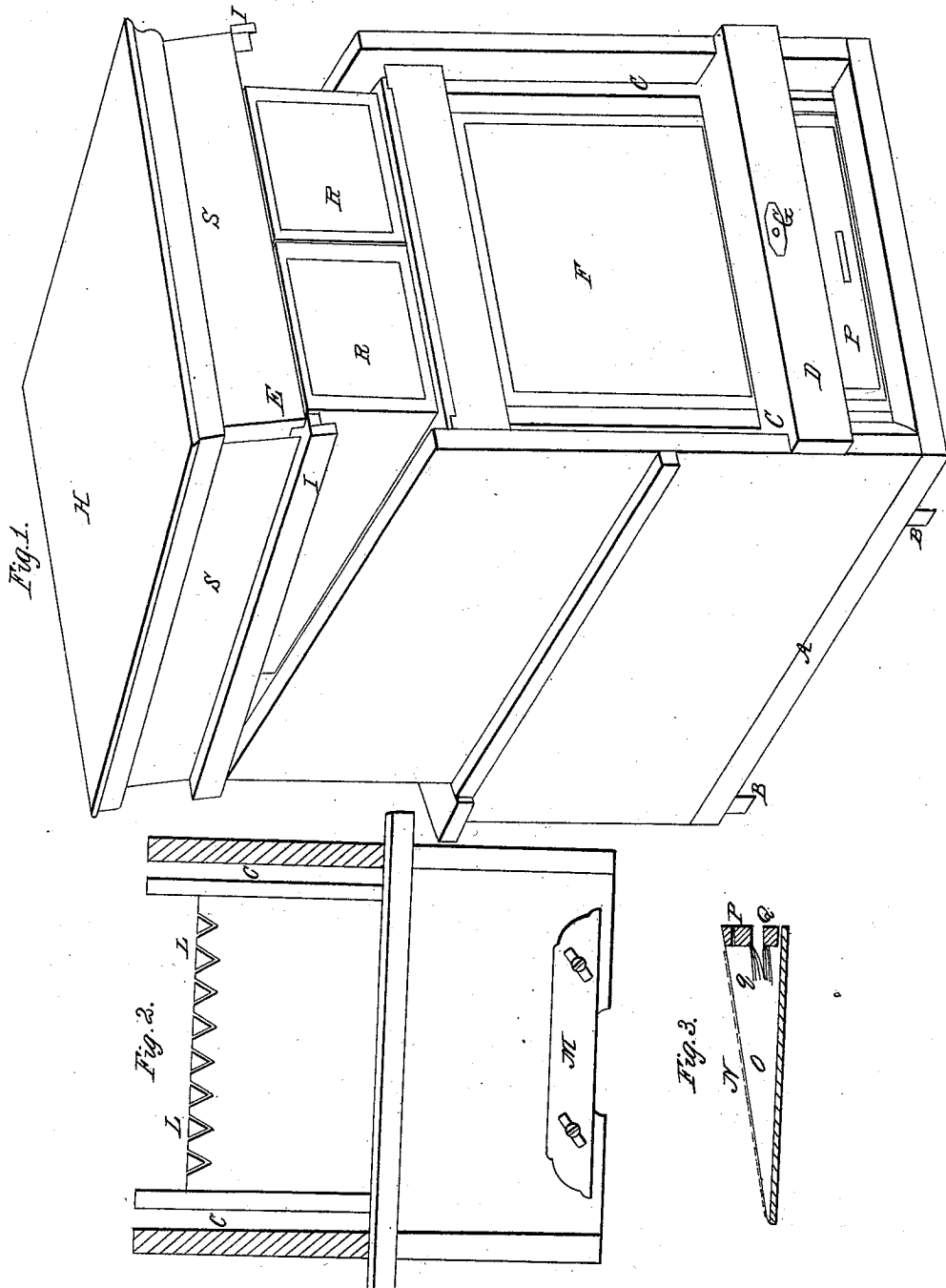
Inventor:
J. L. Reid
Daniel Breed & Co.

J. L. REID.

Bee Hive.

No. 36,169.

Patented Aug. 12, 1862.



Witnesses:
Edw. P. Brown.
J. L. Reid

Inventor:
J. L. Reid
Daniel Breed & Co.

from the bee-apartment into the chamber above, so as to completely prevent condensation and congelation in the bee-apartment.

By inserting the door P the moth-trap is converted into a robber-trap. In this door is a small opening, Q, surrounded by bristles q, so that a robber may enter the opening but cannot return. When the hive is attacked by robbers, (the door P being closed and the sentinels being stationed at the bee-entrance to the hive,) they usually seek some by-way to the hive, and they soon find the opening Q, and, entering, they are entrapped. It is best to close the slide or door M when robbers attack the hive. Then the robbers are compelled to seek an unusual entrance (as they usually do) in order to avoid the sentinel at the common entrance.

With my arrangement of honey-boxes there is no sliding the boxes, which would be liable to crush the bees. The roof and the hoop I may be removed and the bees gently driven

from the top, when the honey-boxes are adjusted and the hoop I and roof replaced.

My hive is very convenient, cheap, and durable. It is well adapted to having new swarms of bees or to making artificial swarms by division. It is easily cleaned, not only of the filth that falls to the bottom of the moth-trap, but also of any undesirable combs.

Having thus fully described my invention, what I claim, and desire to secure by Letters Patent of the United States, is—

1. The combined moth and robber trap and ventilator, Fig. 3, constructed and applied in the manner and for the purposes specified.
2. The combination of the moth and robber trap and ventilator with a hive constructed substantially as set forth.

JAMES L. REID.

Witnesses:

A. W. BAKER,
DAVID NEWCOMER.