

H. A. HANNUM.

Bee Hive.

No. 37,576.

Patented Feb. 3, 1863.

Fig. 2.

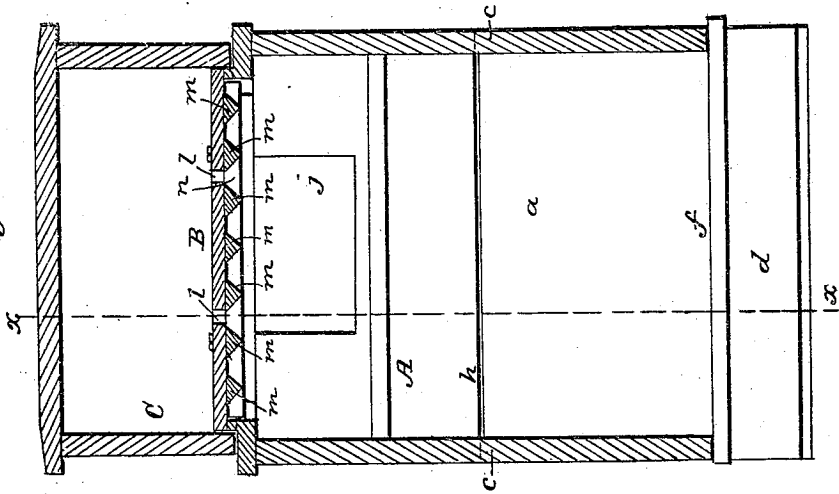
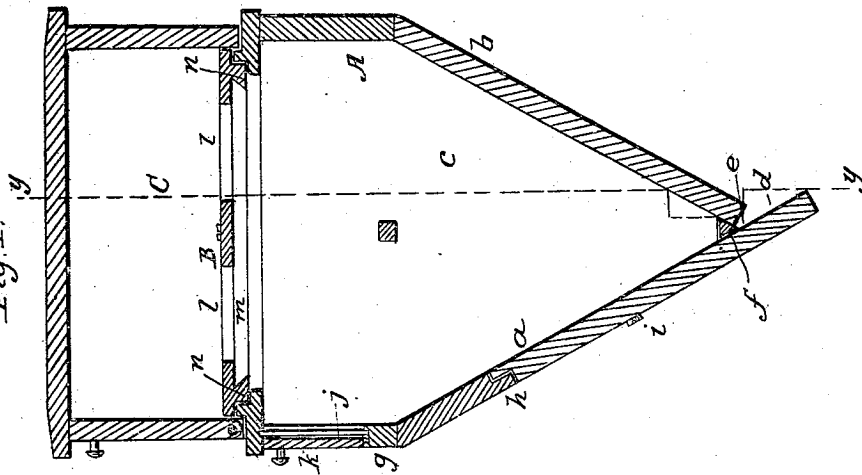


Fig. 1.



Witnesses:
J. W. Coombs
G. W. Reed

Inventor:
Henry A. Hannum
per Wm. W. D. C.
att'y.

UNITED STATES PATENT OFFICE.

HENRY A. HANNUM, OF CAZENOVIA, NEW YORK.

IMPROVEMENT IN BEE-HIVES.

Specification forming part of Letters Patent No. 37,576, dated February 3, 1863.

To all whom it may concern:

Be it known that I, HENRY A. HANNUM, of Cazenovia, in the county of Madison and State of New York, have invented a new and Improved Bee-Hive; and I do hereby declare that the following is a full, clear, and exact description of the same, reference being had to the accompanying drawings, making a part of this specification, in which—

Figure 1 is a vertical section of my invention, taken in the line *x x*, Fig. 1; Fig. 2, a vertical section of the same, taken in the line *y y*, Fig. 1.

Similar letters of reference indicate corresponding parts in the two figures.

To enable those skilled in the art to fully understand and construct my invention, I will proceed to describe it.

A represents the main part of the hive, the upper part of which is of rectangular form, and the lower part provided with an inclined back, *a*, and an inclined front, *b*, as shown clearly in Fig. 1. The sides *c c* of the hive are vertical, as shown in Fig. 2. The lower part of the hive, which has the inclined back and front, is considerably deeper than the upper rectangular part, and the inclined back *a* extends down rather farther than the inclined front *b*, in order to form an alighting-board, *d*, a space, *e*, being allowed between *a* and the lower end of *b* to form a bee-entrance to the hive. This entrance, when necessary, is closed by a strip of wood, *f*, of trilateral form in its transverse section. The greater part of the inclined back *a* is not permanently attached to the hive, it being connected at its upper end to the stationary part by a lap-joint, *h*, a screw, *i*, passing through each side of the back *a'* into the sides *c c*. In the back *g* of the upper rectangular part of the hive there is inserted a glass, *j*, which is provided with a cover, *k*.

B represents the top board or cover of the main part A of the hive. This board or cover has oblong slots *l* made through it, and to the under surface of the board B there are attached a series of parallel bars, *m*, which are of V form in their transverse section, as shown clearly in Fig. 2. The ends of these bars *m* are beveled, so that they may fit in the beveled sides of strips or cleats *n n*, at right angles with the bars *m* and near two opposite edges of said bar or cover. These bars *m* and cleats *n* form a frame independent of the board

or cover B, and the latter may be detached from the former when necessary, the frame and board or cover being connected together by screws *o*.

C represents the spare-honey box, which is placed on the top of the main part A of the hive, and may be connected thereto by a hinge or joint, if desired.

From the above description it will be seen that all dirt and filth will drop from the hive, and also dead bees, moths, &c., and at the same time the bees may readily enter the hive in consequence of the alighting-board *d*. The bees also may eject with facility moths from the hive, and in case the hive is removed in winter to a warm apartment, thorough ventilation may be obtained by detaching the removable part of the back *a* and taking off the spare-honey box C, and removing the board or cover B from the bars *m*, as the latter support the combs. The combs also may be thoroughly examined at any time by detaching the back *a*, and all bad combs removed, or any portion of them.

Bees may be readily hived by taking off the spare-honey box C and the board or cover B, with the bars *m* attached, and inverting the part A so that it will cover the bees. When the latter have entered the hive, it is gently turned over to an upright position, the board or cover B replaced, with its slots *l* closed. The hive may then be suspended in the desired spot to any suitable fixture, until the bees have become reconciled to their new abode, when the spare-honey box C may be placed on A and the slots *l* in the board or cover B opened.

I do not claim, broadly, a hive constructed with inclined sides, for they have been previously used; but,

Having thus described my invention, what I do claim as new, and desire to secure by Letters Patent, is—

The board or cover B, with the parallel bars *m*, and strips or cleats *n*, arranged and combined as shown, so that the board or cover may be detached from the bars *m* when necessary, and also used in connection with them when desired, as herein specified.

HENRY A. HANNUM.

Witnesses:

SILAS L. LOOMIS,
J. C. CLOSSON.