

J. FREW.

Moth Trap for Bee Hives.

No. 37,618.

Patented Feb. 10, 1863.

Fig. 2.

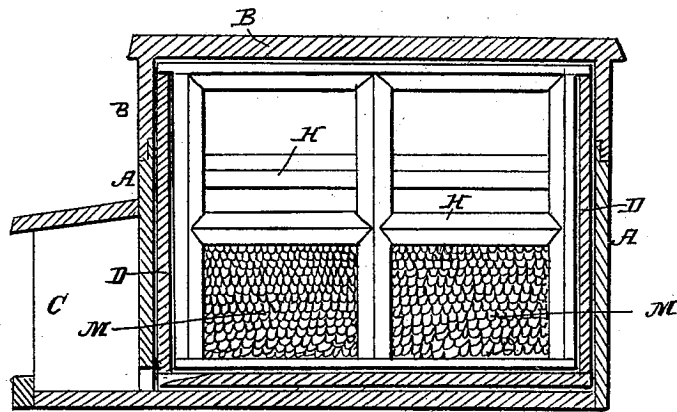
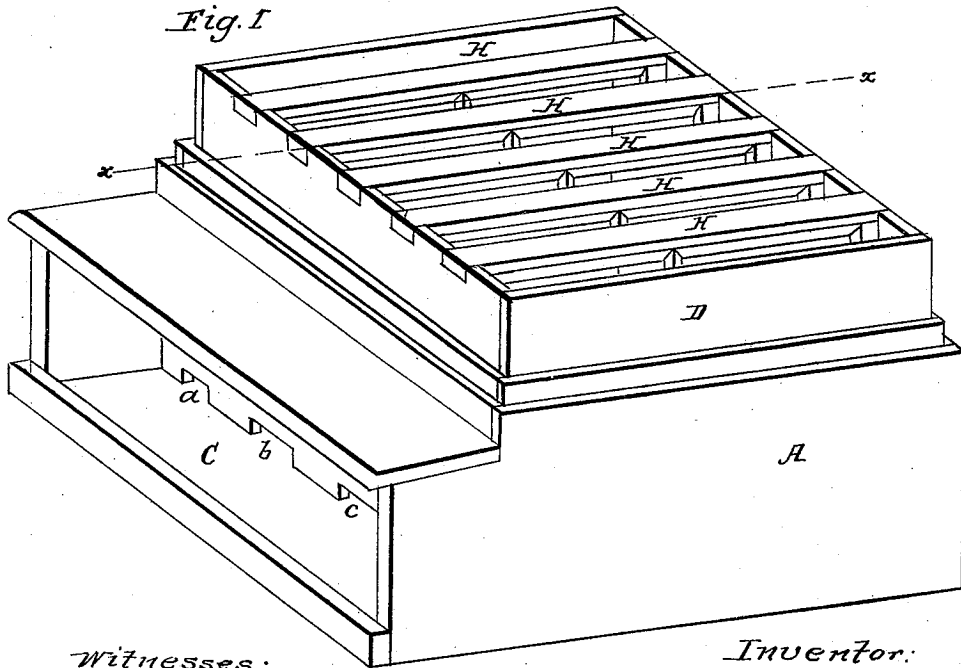


Fig. 1.



Witnesses:

Charles Smith  
J. F. Gauberschnitt

Inventor:

John Frew  
By Chas. B. Co.  
Atty

J. FREW.

Moth Trap for Bee Hives.

No. 37,618.

Patented Feb. 10, 1863.

Fig. 2.

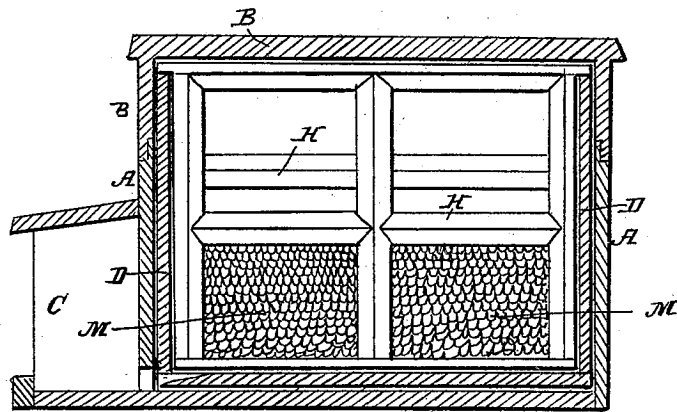
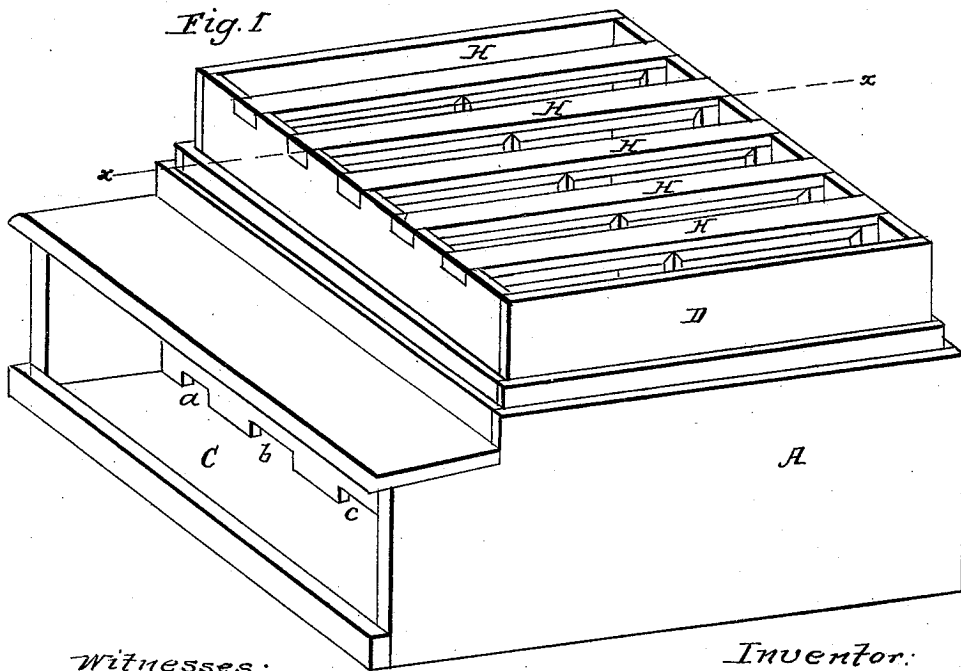


Fig. 1.



Witnesses:

Charles Smith  
J. F. Gausmanich.

Inventor:

John Frew  
By Chas. B. Co.  
Atty