

R. LOVETT.

Bee Hive.

No. 42,093.

Patented March 29, 1864.

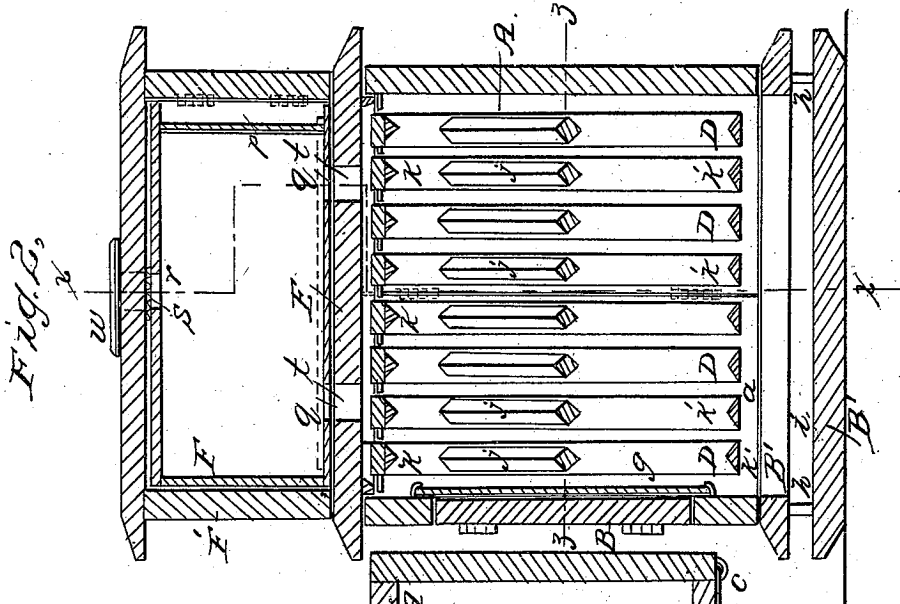


Fig. 2.

Fig. 3.

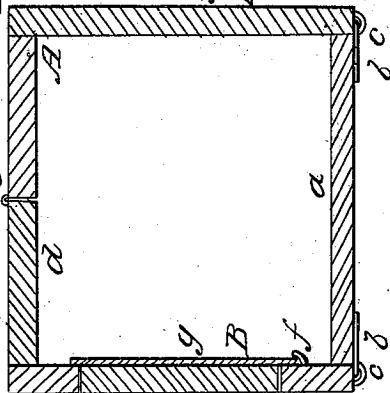
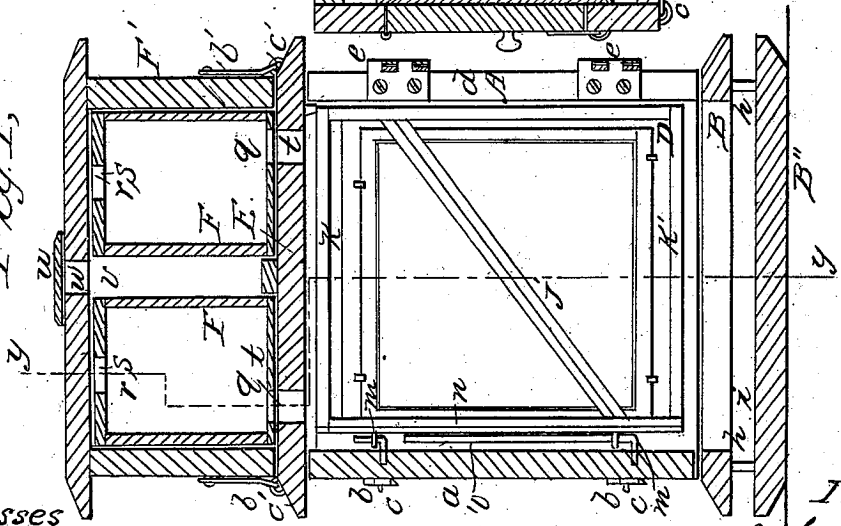


Fig. 1.



Witnesses
J. W. Coombs
C. W. Reed

Inventor:
R. Lovett
per *James B. [unclear]*
attorney

R. LOVETT.

Bee Hive.

No. 42,093.

Patented March 29, 1864.

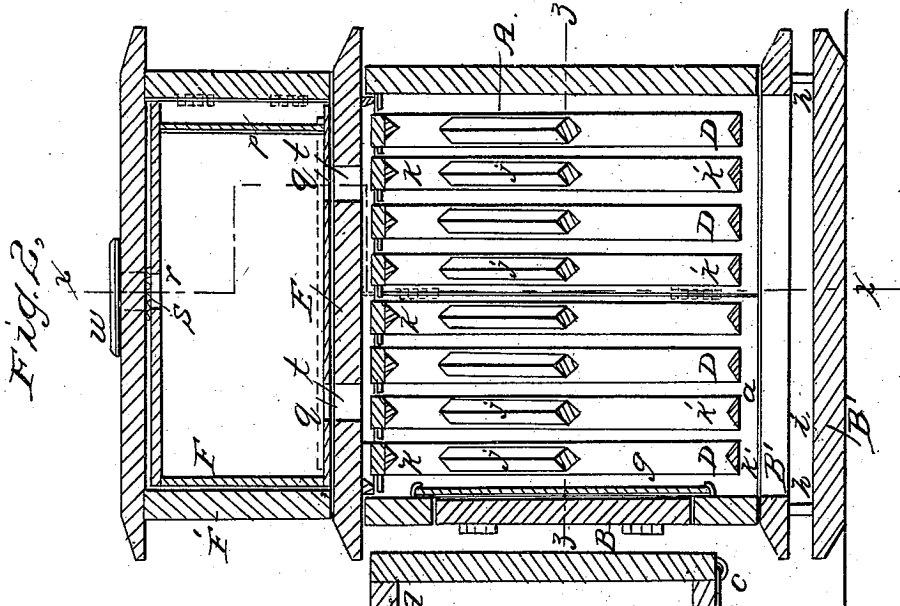


Fig. 2.

Fig. 3.

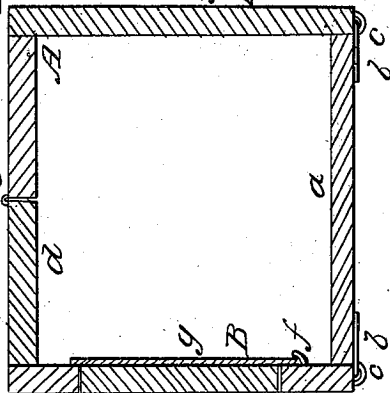
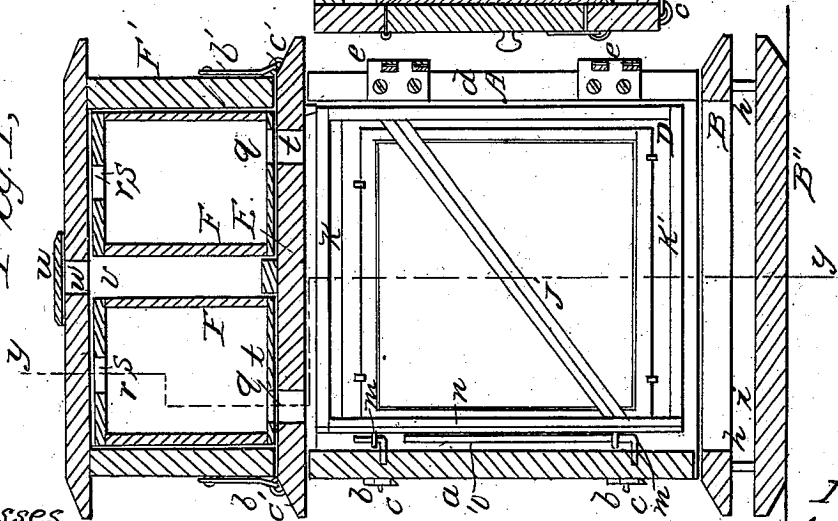


Fig. 1.



Witnesses
J. W. Coombs
C. W. Reed

Inventor:
R. Lovett
per *James B. [unclear]*
attorney

Attaching the comb-frames D to the removable or detachable side *a* of the body A of the hive in such a manner that the comb-frames will be allowed to swing laterally, when said comb-frames, thus attached, are used in connection with the body A, constructed with the side *d* divided into two vertical parts con-

nected by joints *e*, so as to admit of the body being opened or distended to expose the comb-frames, substantially as set forth.

RODMAN LOVETT.

Witnesses.

L. D. RIDER,
D. B. DOUDES.