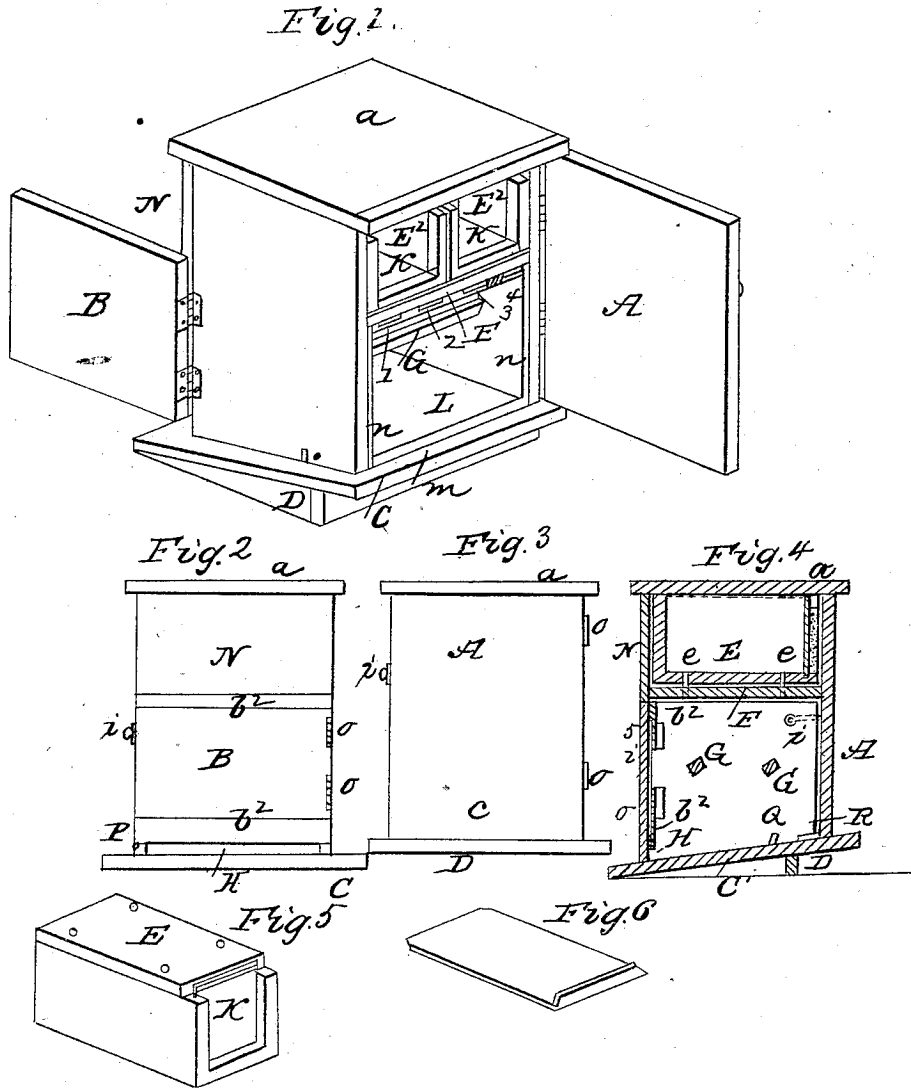


J. & H. A. EARHART.

Bee Hive.

No. 44,943.

Patented Nov. 8, 1864.



Witnesses
George W. Meider
John Deiningay

Inventors
Jacob Earhart
Henry A. Earhart

UNITED STATES PATENT OFFICE.

JACOB EARHART AND HENRY A. EARHART, OF CAMPBELLSTOWN, PA.

IMPROVEMENT IN BEE-HIVES.

Specification forming part of Letters Patent No. 44,943, dated November 8, 1864.

To all whom it may concern:

Be it known that we, JACOB EARHART and HENRY A. EARHART, of Campbellstown, in the county of Lebanon and State of Pennsylvania, have invented a new and Improved Combination in the Construction of Bee-Hives; and we do hereby declare that the following is a full and exact description thereof, reference being had to the accompanying drawings, and to the letters of reference marked thereon.

Figure 1 is a perspective view of the box or hive, with both doors shown open in front and rear; Figs. 2 and 3, front and back views with the doors shut up. Fig. 4 is a vertical section; Fig. 5, one of the drawers or comb-boxes; Fig. 6, the tin-plate sliding cutter, used to slip under the drawers to separate the honey-combs connected through the passage-openings *ee*, with the comb beneath them.

The nature of our invention consists more in the simplicity of the arrangement of its several parts, the security afforded, and the greater ease of its management and practical utility than in elaborate ornamentation and mere fanciful appendages.

Fig. 1 shows the square hive, made of good seasoned stuff, with the grain of the wood vertically, as decidedly preferable to the use of the same cross-wise; *a*, the overlapping top; A, a door hinged and covering the rear end of the box completely when closed. On opening it there are seen two drawers, E' E², on a shelf, F, framed in. There is a communication through this shelf into each of the drawers, (marked *ee*, Fig. 4,) two to each drawer.

The drawers, Fig. 5, have the top fastened with four screws, and closed all around, save the openings *ee* in the bottom, and one end which projects beyond the top, with grooves on the sides and bottom, into which a pane of glass, K, is slid to expose the comb and working of the bees to inspection. The portion under the shelf F has two cross-pieces, G G, to support the comb built beneath when the boxes E are filled.

1 2 3 4 represent a series of slats beneath the shelf F, to facilitate in making the attachments by the bees. This lower portion of the hive is also closed by a glass, L, held in place

by side strips, *mm*, instead of putty. Thus the lower and upper portions of the hive are exposed to view, protected from harm by the door A, and secured against molestation to the bees by the glass L K. This box or hive is set upon upright pegs Q in and upon the sloped base C, one end of which is raised by means of a cross-ledge, D, the other end resting on the table or stand which forms the front or portion where the bees enter through a chink or open space, H, beneath the door B. This door opens only into the lower portion of the hive, and is made to rest on a peg or base-point, P, to prevent settling. It also shuts against a top strip, *b²*, on its inside, to prevent its being held by the combs above, as bees are apt so to attach the combs. There is also a lower cross-strip, *b'*. The upper portion of the hive is closed by a piece, N, as shown, behind the boxes E E, or above the shelf F, inclusive of said shelf. The lower portion of the hive is intended for the honey to be for the support of the bees, the upper portion for the use of the proprietor; and each box or drawer E is separately removed with ease by means of the slide, Fig. 6, slipped under it, the top of the drawer E taken off by slipping a thin-bladed knife under it, and separating the comb after the screws are drawn.

We are aware of the numerous combinations in the construction of bee-hives already patented, and are also aware that when each part is individually considered there may be no novelty; but we are not aware that any of the combinations are arranged as ours, nor substantially the same in any one patent or claim, separately considered.

What we claim as our invention, and desire to secure by Letters Patent, is—

The construction of a hive with the two doors A B, shelf F, drawers E, glass slide K, cross-piece G, and slats 1 2 3 4, when these several parts are arranged relatively to each other and to the hive specifically in the manner shown and described.

JACOB EARHART.
HENRY A. EARHART.

Witnesses:

GEORGE W. KREIDER,
JOHN DEININGER.