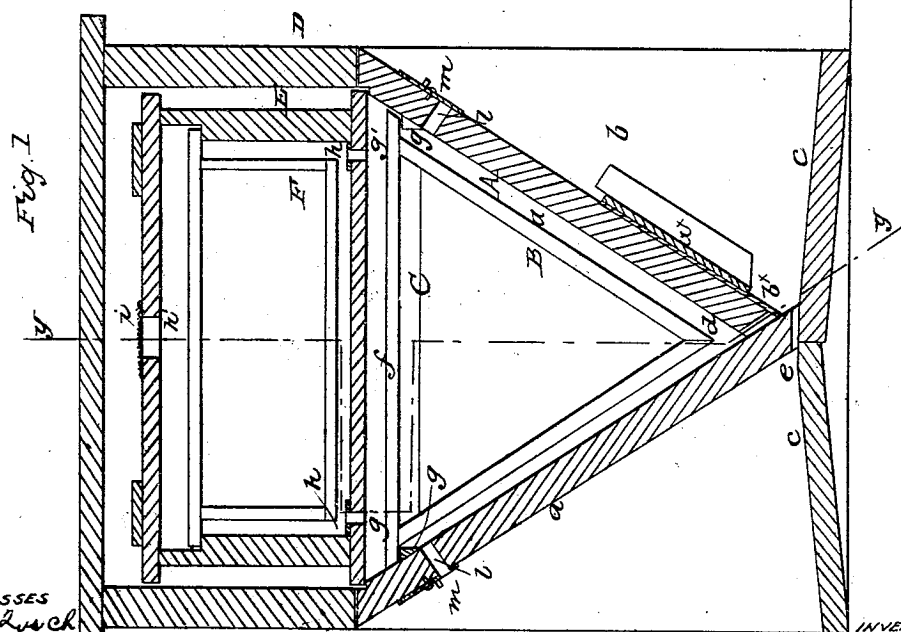
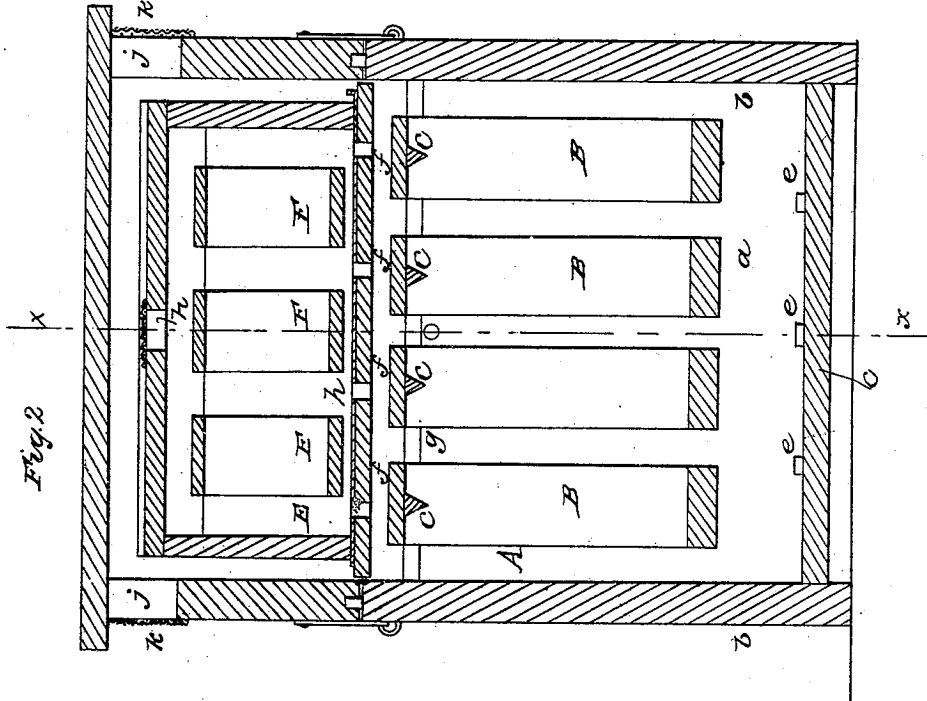


J. H. HENDRICKS.

Bee Hive.

No. 51,716.

Patented Dec. 26, 1865.



WITNESSES
Thos. L. Smith
J. H. Hendricks

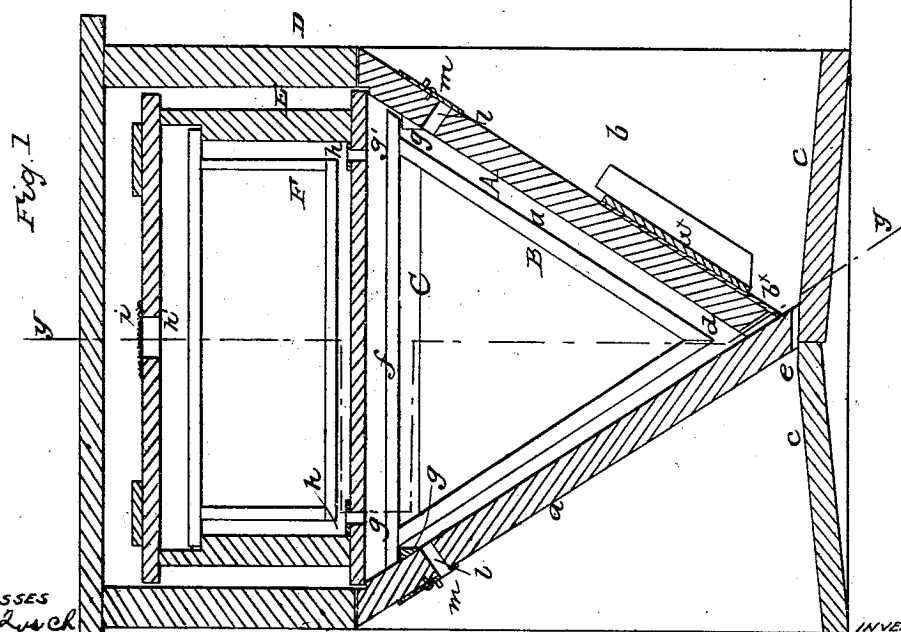
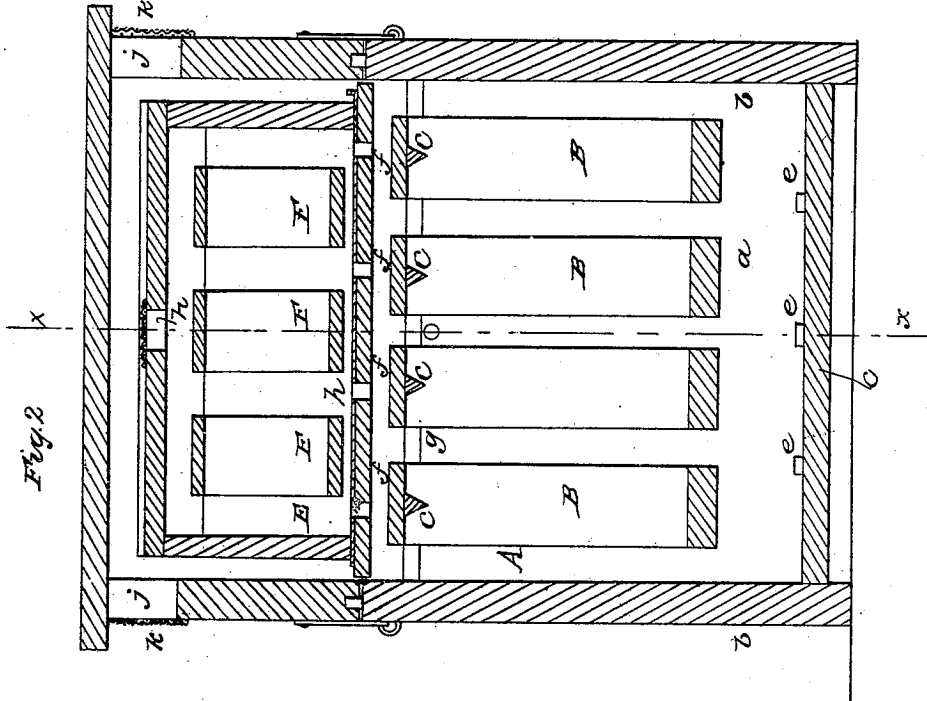
INVENTOR
John H. Hendricks
By Munroe & Co. atty.

J. H. HENDRICKS.

Bee Hive.

No. 51,716.

Patented Dec. 26, 1865.



WITNESSES
Thos. L. Smith
J. H. Hendricks

INVENTOR
John H. Hendricks
By Munroe & Co. atty.