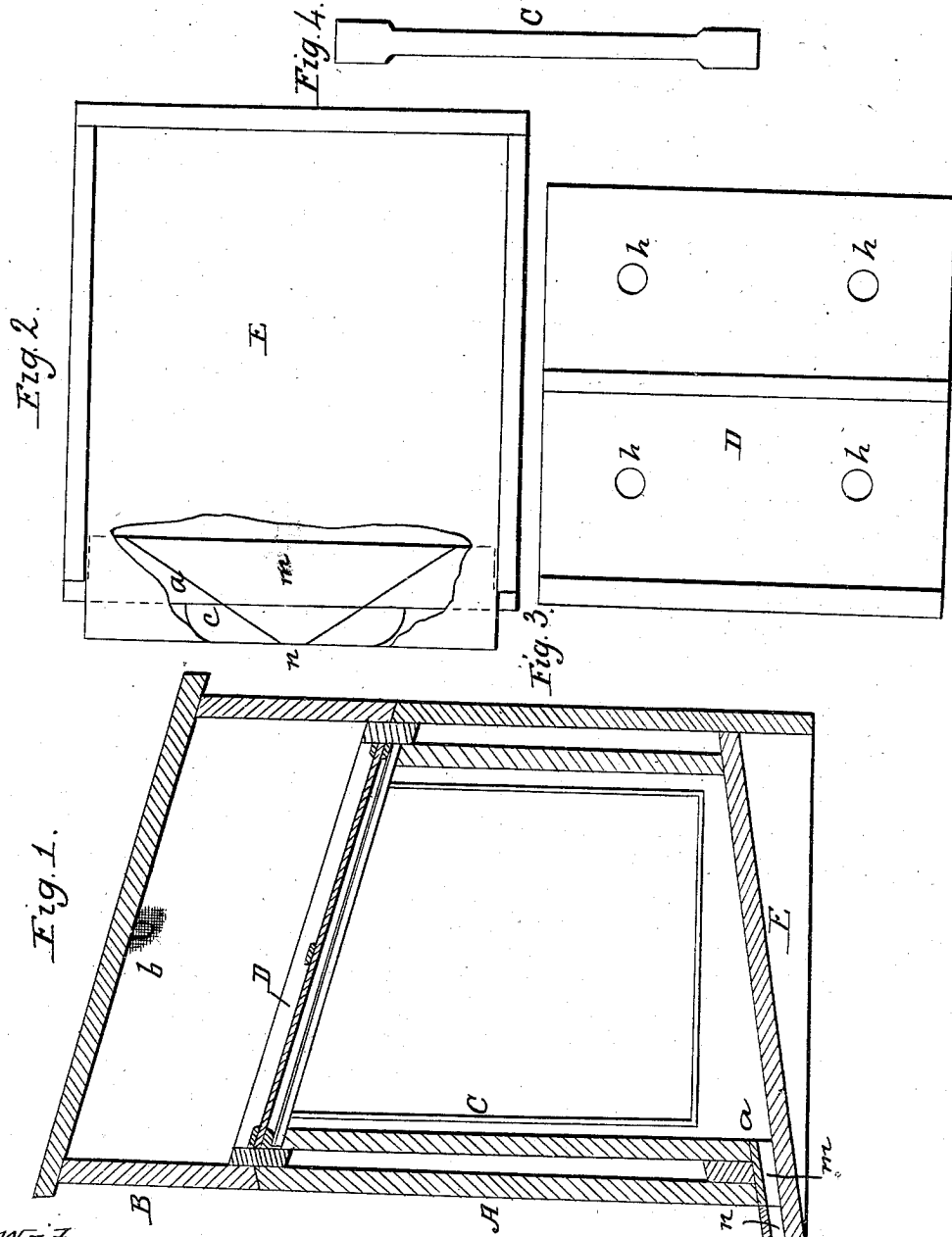


M. D. MULFORD, Jr.

Bee Hive.

No. 56,782.

Patented July 31, 1866.



Witnesses:  
P. T. Dodge  
L. R. Kibinger

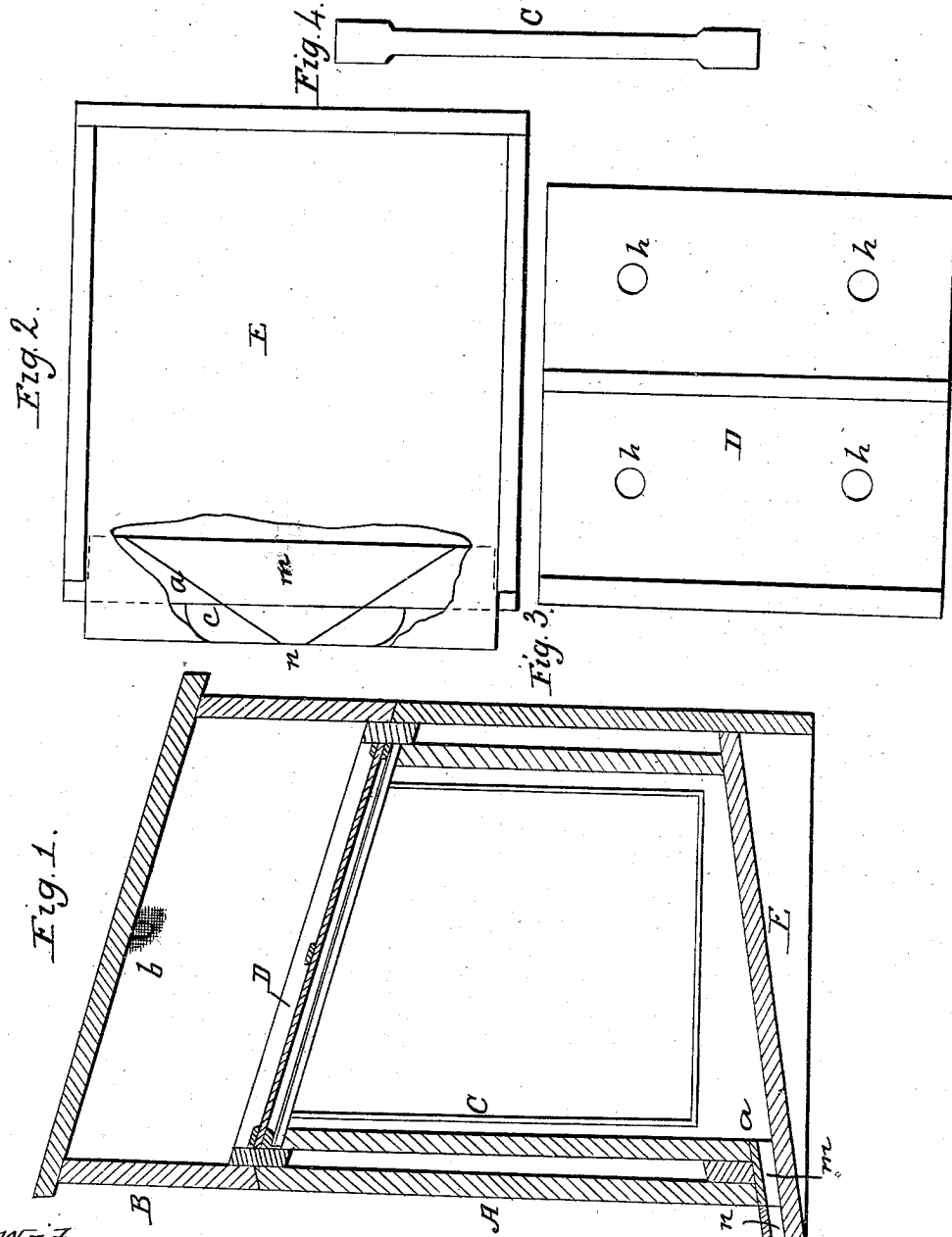
Inventor:  
M. D. Mulford  
by his Attorney  
W. C. Dodge.

M. D. MULFORD, Jr.

Bee Hive.

No. 56,782.

Patented July 31, 1866.



Witnesses:  
P. T. Dodge  
L. R. Kibinger

Inventor:  
M. D. Mulford  
by his Attorney  
W. C. Dodge.