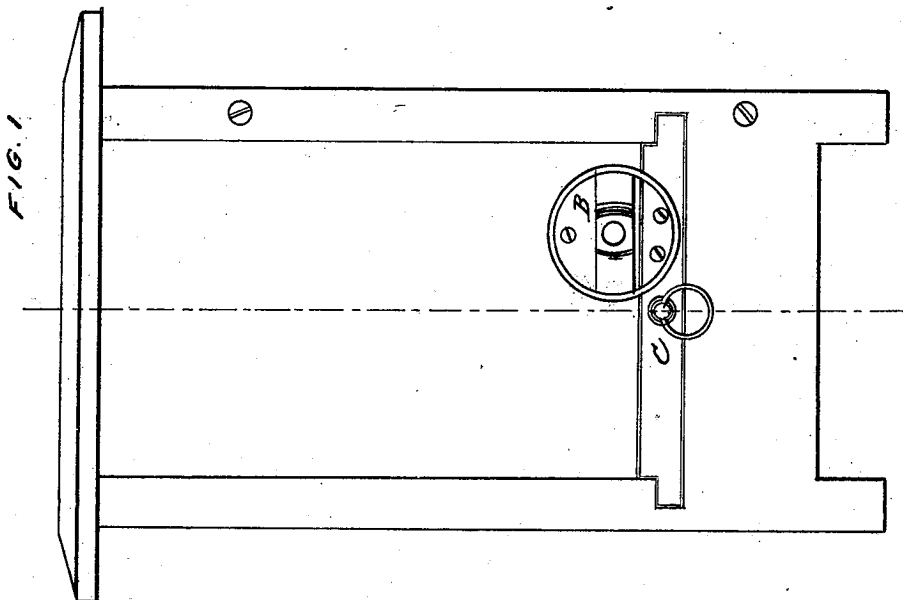
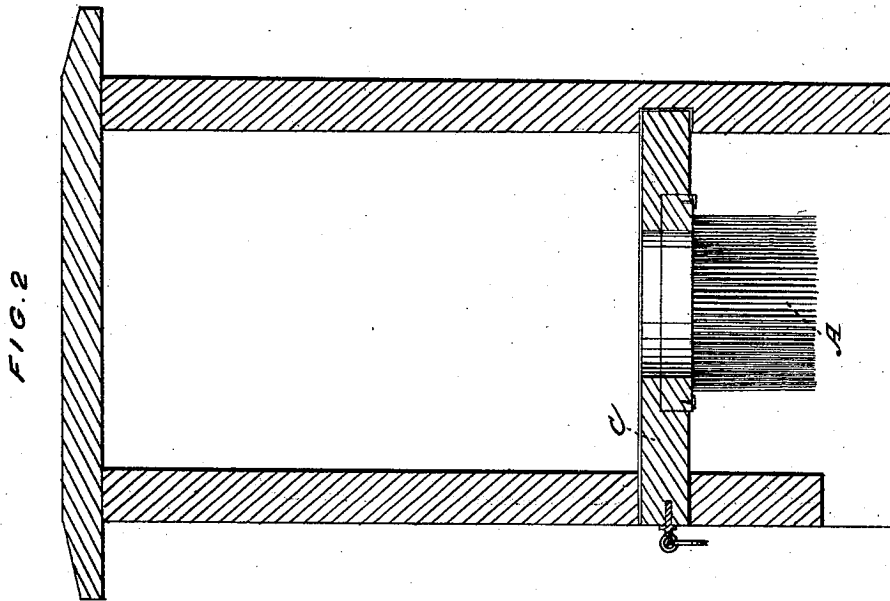


N. SIMPSON.

Bee Hive.

No. 65,020.

Patented May 21, 1867.



WITNESSES:

J. H. Phillips
Geo. C. Landis

INVENTOR:

Nath Simpson
by his Atty
A. H. Evans

Invalid URL. (4)

**Please click on the Full Text button
to return to the full text page.**