

J. HEACOCK.

Bee Hive.

No. 65,381.

Patented June 4, 1867.

FIG. 1

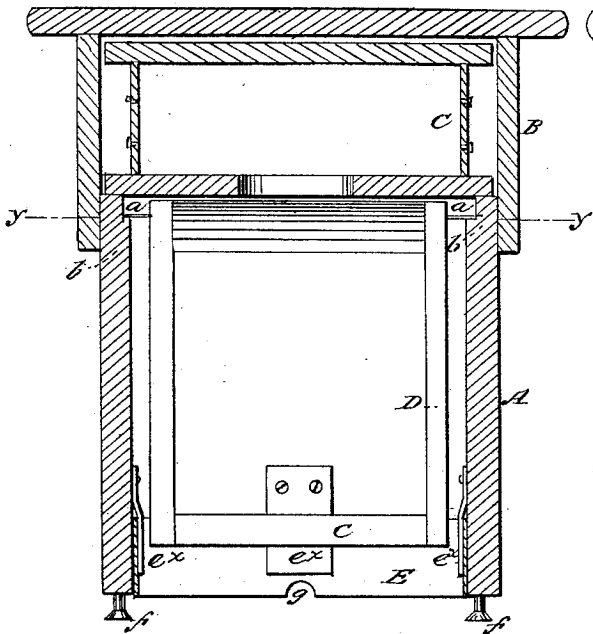


FIG. 2 X

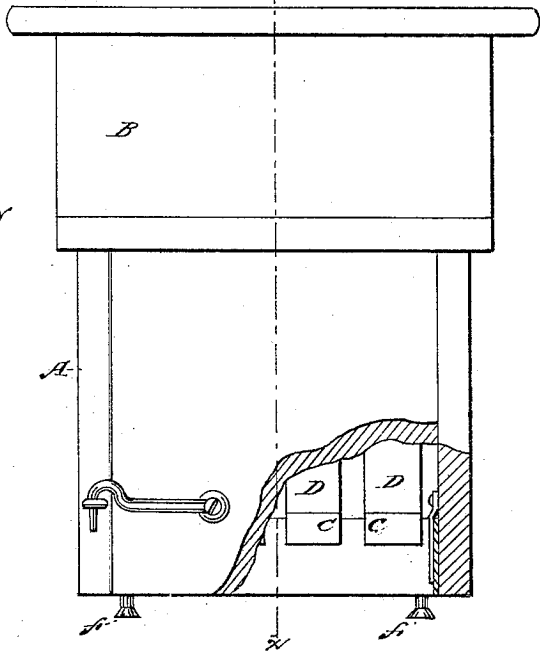
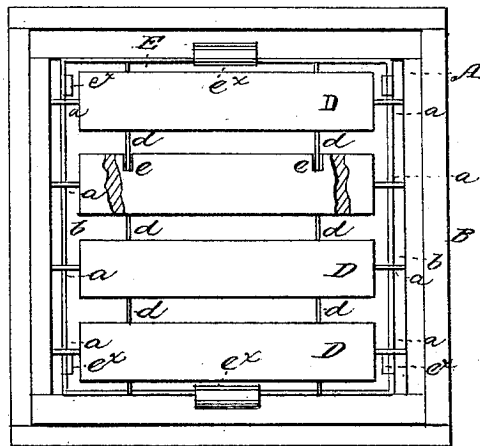


FIG. 3



WITNESSES:

Thos Tusch
J. A. Service

INVENTOR:

Joel Heacock
Per [Signature]
Attorneys

United States Patent Office.

JOEL HEACOCK, OF MARLBORO, OHIO.

Letters Patent No. 65,381, dated June 4, 1867.

IMPROVEMENT IN BEE-HIVES.

The Schedule referred to in these Letters Patent and making part of the same.

TO ALL WHOM IT MAY CONCERN:

Be it known that I, JOEL HEACOCK, of Marlboro, in the county of Stark, and State of Ohio, have invented a new and improved Bee-Hive; and I do hereby declare that the following is a full, clear, and exact description thereof, which will enable others skilled in the art to make and use the same, reference being had to the accompanying drawings, forming part of this specification, in which—

Figure 1 is a vertical central section of my invention taken in the line *x x*, fig. 2.

Figure 2, a side view of the same partly in section.

Figure 3, a horizontal section of the same taken in the line *y y*, fig. 1.

Similar letters of reference indicate like parts.

This invention relates to a new and improved bee-hive, and it consists in a novel arrangement of the comb-frames, an adjustable slide to regulate the capacity of the bee entrance, as hereinafter fully shown and described, whereby it is believed that advantages are obtained over the ordinary hives in use, as will be hereinafter set forth.

A represents the hive, which may be constructed in the usual rectangular form, and B is the cap placed on A in the ordinary manner, and enclosing the spare-honey box C, which is directly over the hive A, a space being allowed all around the honey-box C. D represents the comb-frames, the upper ends of which have metal rods *a* projecting from them, and these rods rest upon shoulders *b* on the upper part of the hive A, said shoulders being formed by rebating the upper edge of the hive, as shown clearly in fig. 1. The lower bars *c* of the comb-frames have rods *d* attached to them, two to one side, and these rods fit in holes or grooves *e* in the side of the bars *c*, the two rods *d* of the lower bar *c* of one comb-frame fitting in the holes or grooves *e* of the lower bar *c* of the adjoining comb-frame, as will be understood by referring to fig. 3. These rods *d*, it will be seen, keep the comb-frames in proper position and at the same distance apart even when the hive is moved, tilted, or carried about, and the rods *d* on which the comb-frames are suspended, in consequence of being of metal, and small in diameter, do not afford any harbor for the bee-moth, nor can the bees glue or cement them fast with wax. The comb-frames therefore may be readily detached or removed when necessary. E represents a slide, composed of a sheet-metal strip, bent in quadrangular form so as to fit the interior of the lower part of the hive A. This slide is fitted within guides *e*, attached to the inner side of the hive, the guides admitting of the slide being freely raised and lowered, and by means of friction retaining it at any desired point. The bottom of the hive is provided with feet *f*, the hive being placed on any suitable stand or support, and it will be seen that by adjusting the slide E, the space underneath the hive, caused or allowed by the feet *f*, may be regulated in capacity as desired, and entirely closed when necessary, or only small bee entrances *g* allowed by having notches made in the lower edge of the slide. This slide E does not afford a harbor for the bee-moth, as, being of sheet metal, it is quite thin, and no space is allowed underneath it for the protection of the worm when hatched.

Having thus described my invention, what I claim as new, and desire to secure by Letters Patent, is—

The quadrangular sheet-metal slide E, fitting into the lower part of the hive A, and sliding between guides *e*, its bottom edges resting upon a stand or table between the feet *f*, and provided with the entrance *g*, substantially as described for the purpose specified.

JOEL HEACOCK.

Witnesses:

S. L. PENNOCK,

E. A. WRIGHT.