

E. B. Beach.

Honey Comb Frame.

No. 76,976.

Patented Apr. 21, 1868.

Fig. 1.

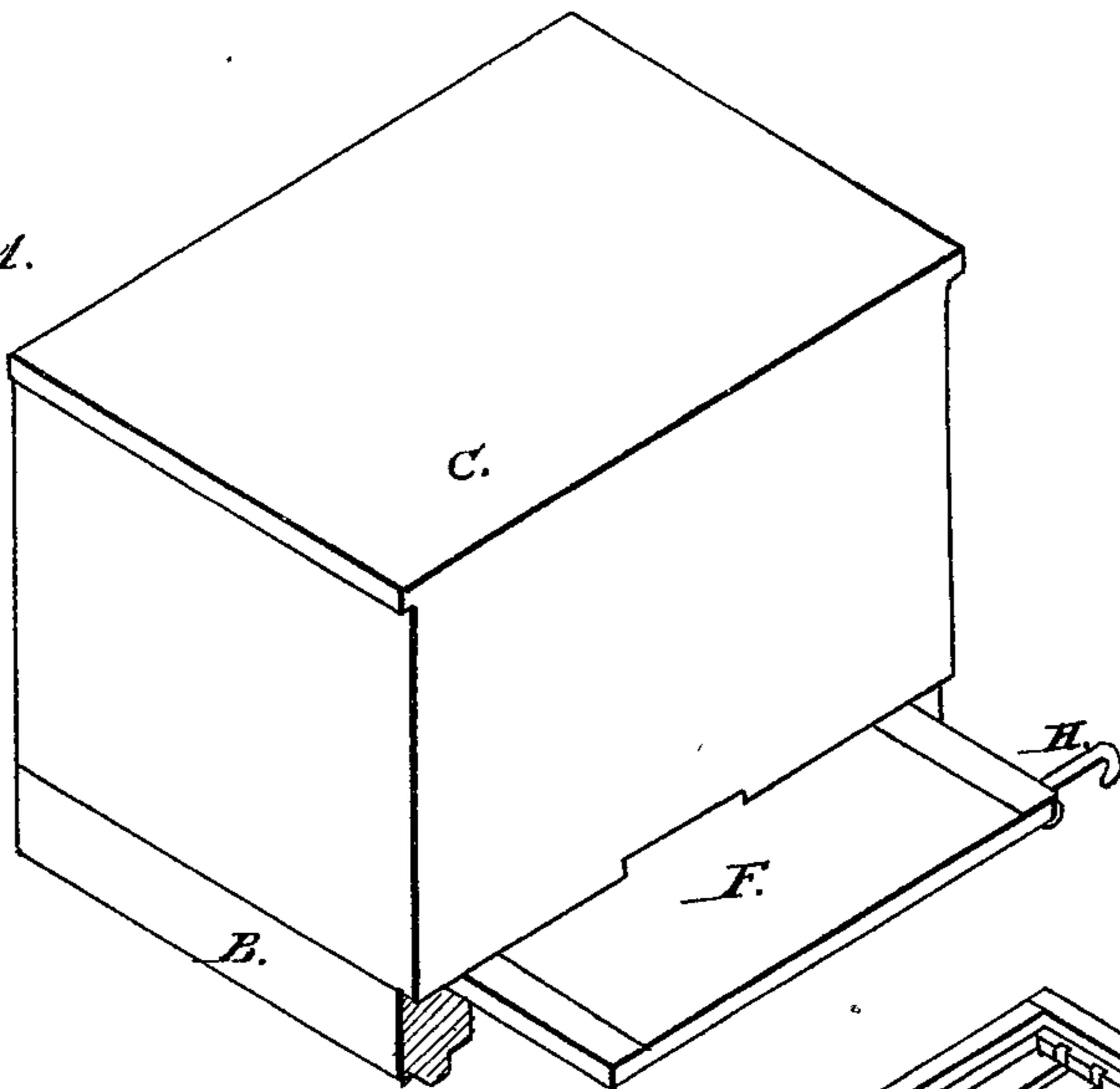


Fig. 2.

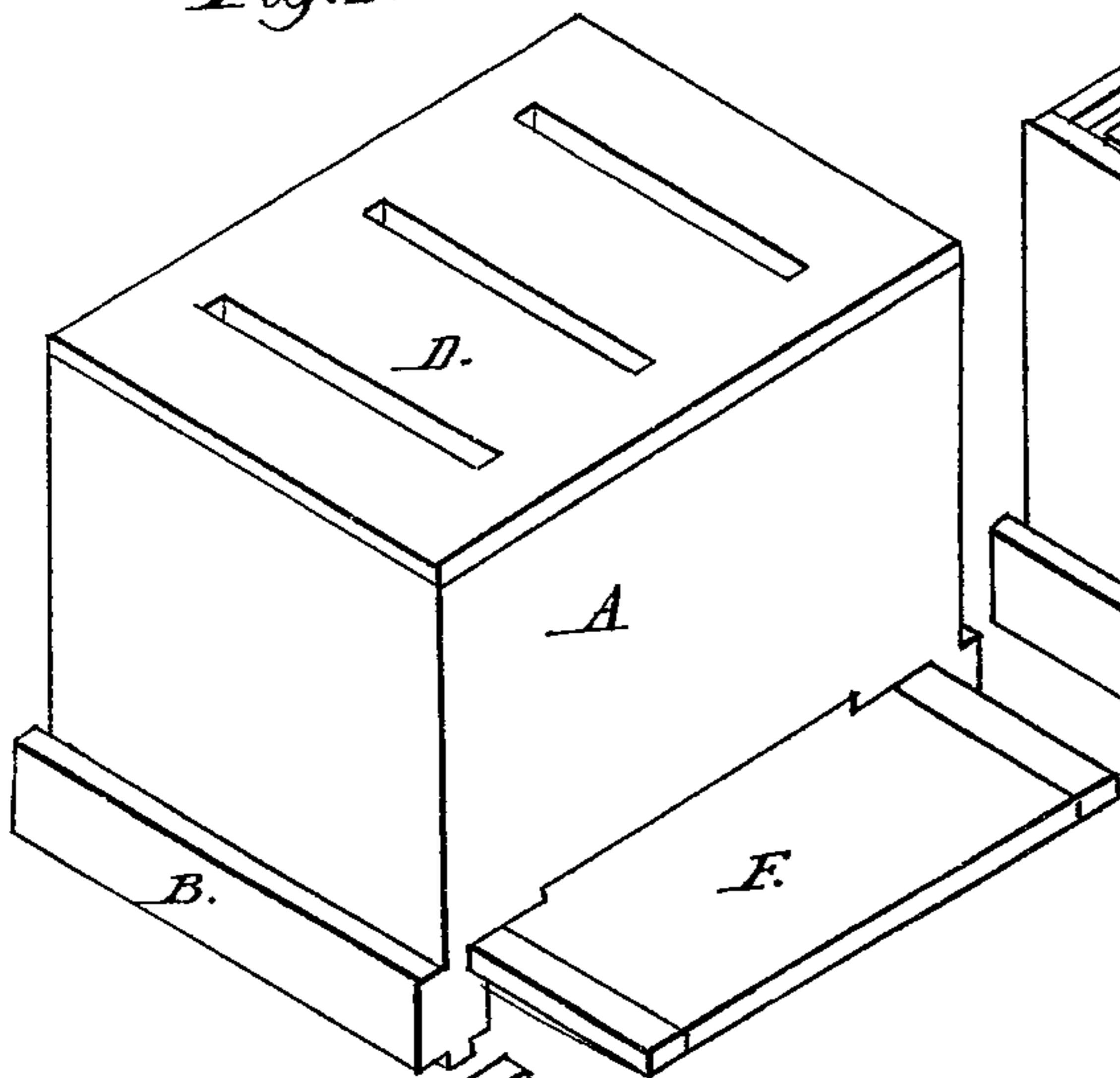


Fig. 3.

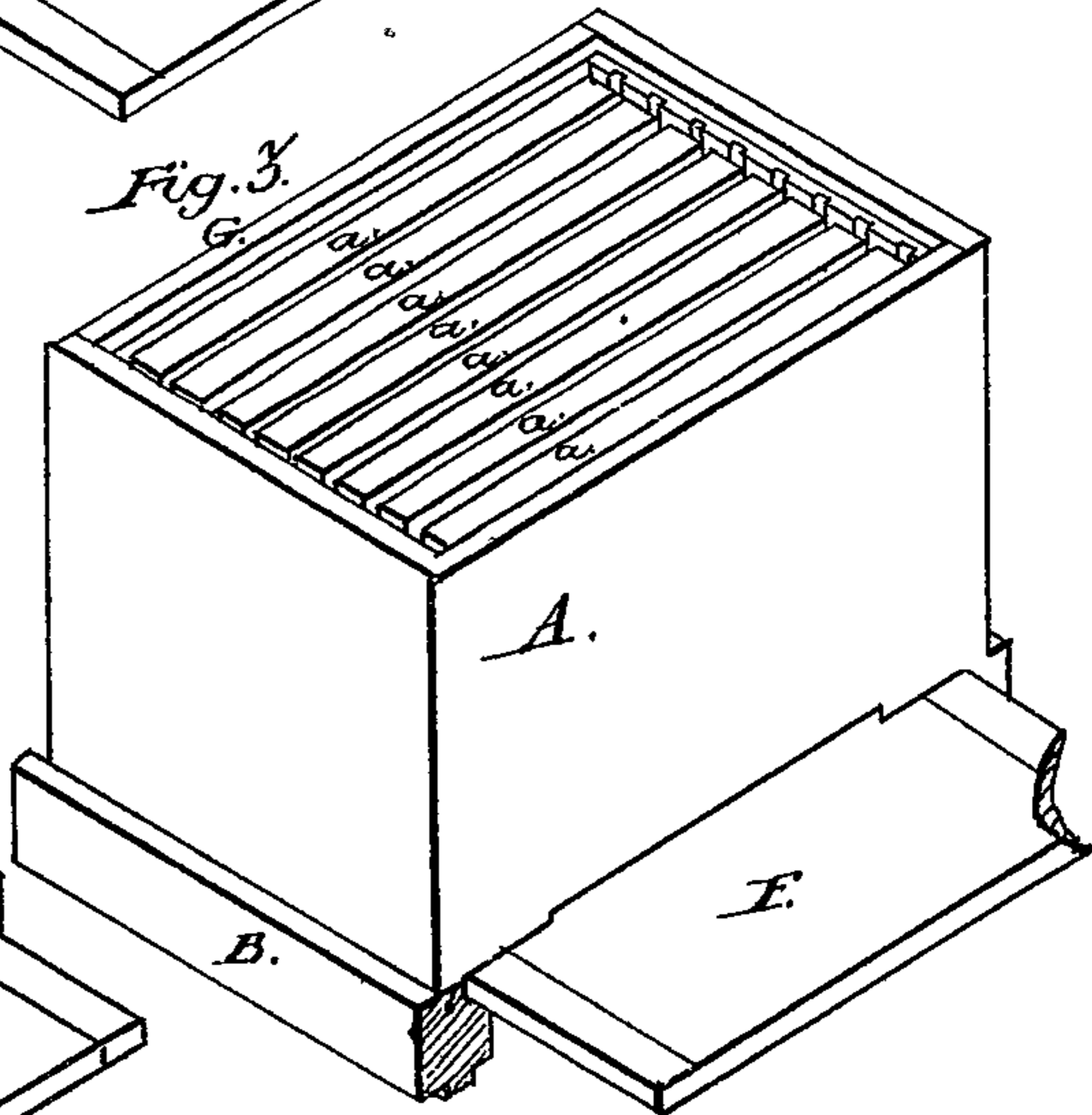


Fig. 4.

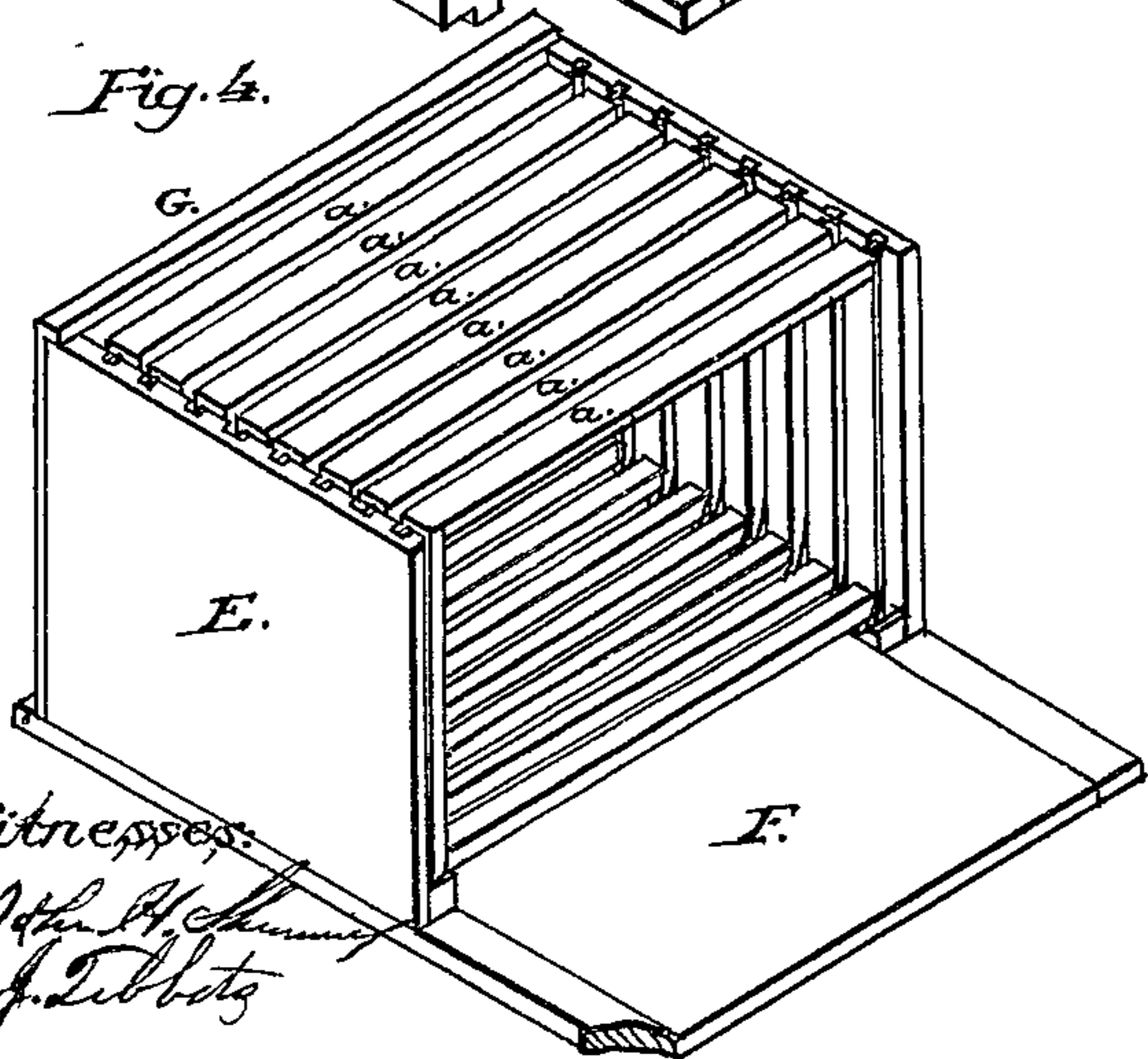
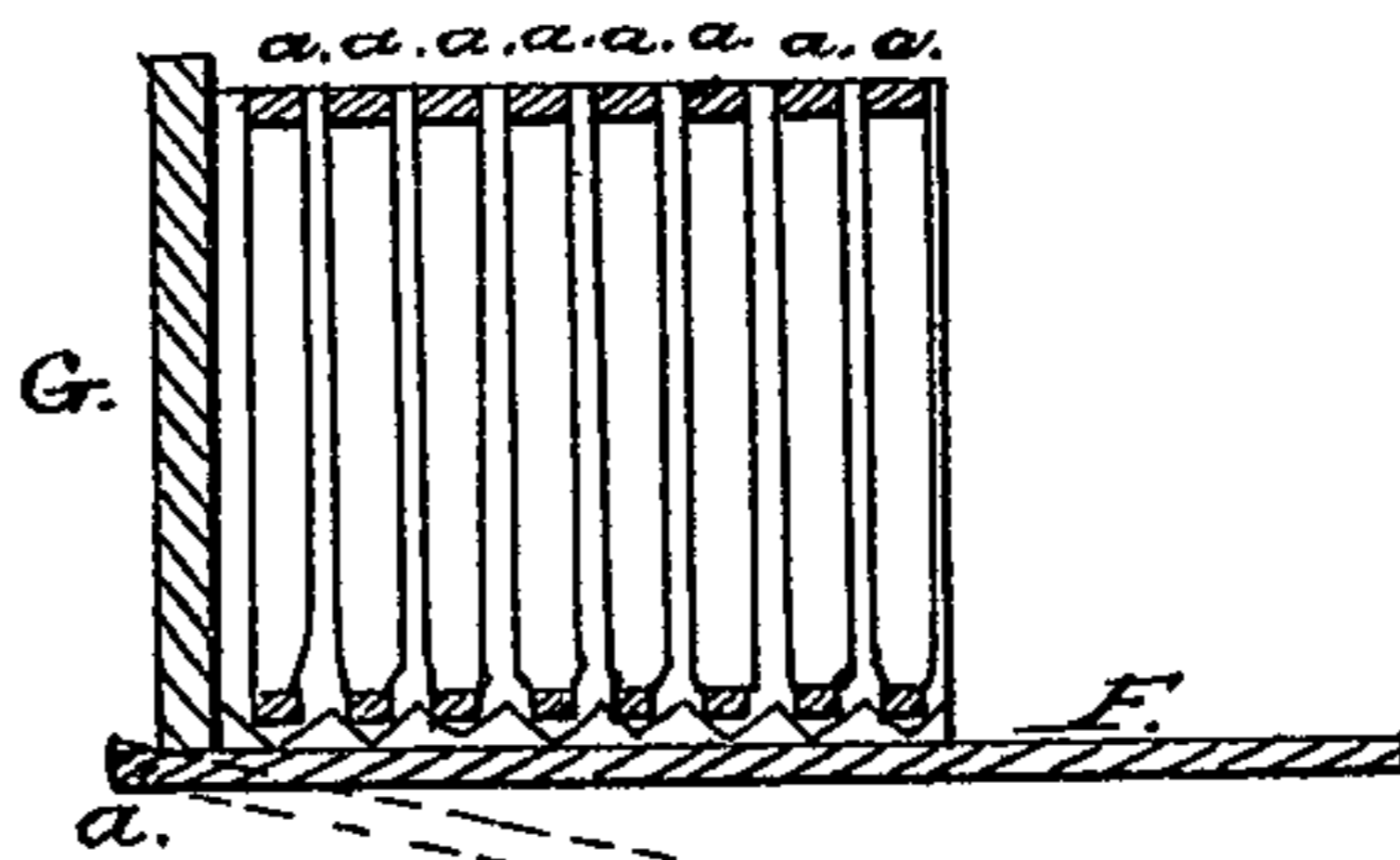


Fig. 5.



Witnesses:

*John H. Johnson
A. J. Abbott*

Inventor:

E. B. Beach

by his attorney

J. M. Cole

United States Patent Office.

EDGAR B. BEACH, OF WEST MERIDEN, CONNECTICUT.

Letters Patent No 76,976, dated April 21, 1868.

IMPROVEMENT IN BEE-HIVES.

The Schedule referred to in these Letters Patent and making part of the same.

TO ALL WHOM IT MAY CONCERN:

Be it known that I, EDGAR B. BEACH, of West Meriden, in the county of New Haven, and State of Connecticut, have invented a new Improvement in Bee-Hives; and I do hereby declare the following, when taken in connection with the accompanying drawings, and the letters of reference marked thereon, to be a full, clear, and exact description of the same, and which said drawings constitute part of this specification, and represent, in—

Figure 1, a perspective view.

Figure 2, the outer boarding removed.

Figure 3, the honey-board removed.

Figure 4, the frames and their case removed; and in

Figure 5, a section of the frames.

This invention relates to an improvement in the construction of hives for bees, and consists—

First, in the arrangement of an outer boarding which, while it covers the honey-boxes through the season, may be closed down in winter, and thus form a double boarded hive.

Second, in the arrangement of frames in a case, independent of and so as to be removed from the principal case; and

Third, in the arrangement of the floor in the frame-case, so that it may be dropped or inclined to open the case beneath the frames.

To enable others to construct my improvement, I will proceed to describe the same as illustrated in the accompanying drawings

A is the inner case, or hive proper, having a ledge, B, around its base, so that an outer boarding, C, may set down on to the said ledge and cover the hive, as seen in fig. 1. The top of the case is covered by the honey-board, D, which is removable from the case, so as to open, as seen in fig. 3. *a* are frames, which are set into an inner case, E, as seen in fig. 4, of which F is the floor, the said frames being suspended by a metallic pin or tenon, as denoted in fig. 4, and the said case E fitted into the case A, so as to be drawn from the case A at the back, the back, G, of the case E forming also the back of the case A; therefore, by removing the outer case, C, from the case A, then the case G may be drawn out partially or entirely from the case A, so that the case and hive may generally be examined without danger of disturbing the comb in the frames, and each case being independent in itself, and suspended on metallic pivots, the bees will not glue down the frames, as they will when the frames are suspended upon wood bearings as heretofore constructed. Therefore, each frame may be removed, so that every frame and every part of the hive may be examined without disturbing or injuring the comb.

The honey-boxes are placed on the honey-board D, and then the outer case placed over the same, which raises the outer case in proportion to the boxes so placed on the honey-board, but when the season is over and the boxes removed, then the outer case is dropped down over the inner, so as to make a complete double-boarded hive.

It is at all times desirable to open beneath the hive for examination, or for the purpose of hiving bees. To do this, I pivot the floor F into the case E at *a*, as seen in fig. 5, so that the floor may be dropped down, as denoted in said fig. 5, and give access or a large opening to the hive from below. The said floor is secured in its up position by a slide-bolt, H, (see fig. 1,) or other convenient device.

Having thus fully described my invention, what I claim as new and useful, and desire to secure by Letters Patent, is

The combination of the outer case C with the inner case A, when the inner case is provided with a frame-case, E, and so as to be removed from the case A, and so as to be closed by the outer case C, substantially as and for the purpose specified.

EDGAR B. BEACH.

Witnesses:

ORVILLE H. PLATT

RATCLIFFE HICKS.