

W. A. Flanders,

Bee Hive.

NO. 77,473.

Patented May 5, 1868.

Fig. 1.

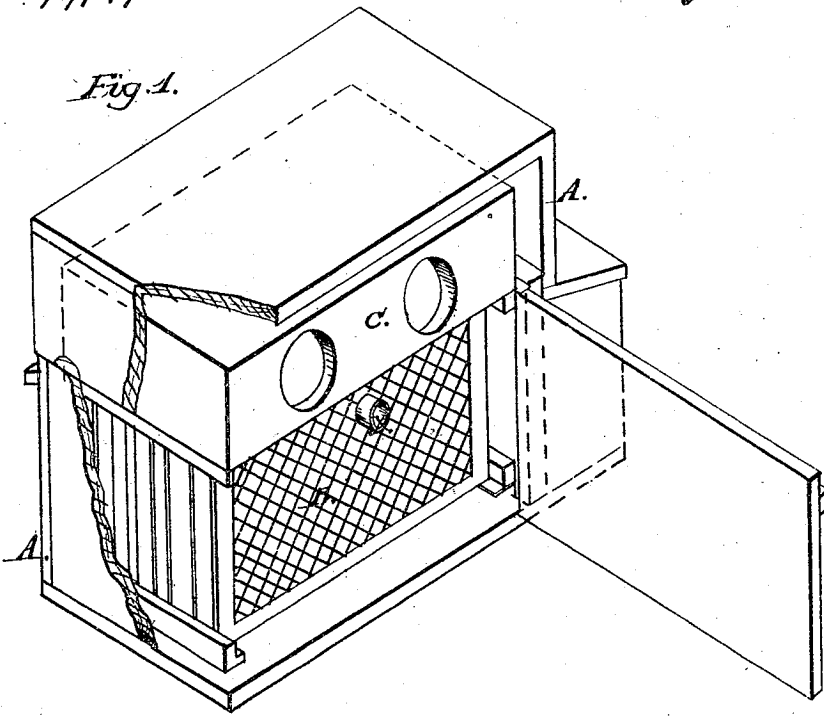
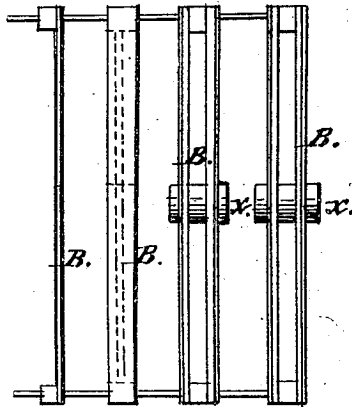


Fig. 2.



WITNESSES:

*A. G. Chapman*  
*V. D. Stokbrdy*

INVENTOR:

*W. A. Flanders*  
per  
*Alexander Mason*  
attorney

United States Patent Office.

W. A. FLANDERS, OF SHELBY, OHIO.

Letters Patent No. 77,473, dated May 5, 1868.

IMPROVEMENT IN BEE-HIVES.

The Schedule referred to in these Letters Patent and making part of the same.

TO ALL WHOM IT MAY CONCERN:

Be it known that I, W. A. FLANDERS, of Shelby, in the county of Richland, and in the State of Ohio, have invented certain new and useful Improvements in Artificial-Comb Foundations for Bee-Hives; and do hereby declare that the following is a full, clear, and exact description thereof, reference being had to the accompanying drawings, and the letters of reference marked thereon.

In the annexed drawings, making a part of this specification—

Figure 1 represents a perspective of my bee-hive, with the combined movable comb-frames and comb-foundations in their usual position when adjusted for use, and

Figure 2 represents a plan view of the honey-comb foundations.

The nature of my invention consists in preparing movable honey-comb foundations; as will be hereafter more fully described.

In the annexed drawings, A represents my improved patent bee-hive, and B represents the form of the comb-foundations.

The comb-foundations B are made of thin sheets of wood, pasteboard, birch-bark, or other suitable material, dipped in melted bees-wax or other suitable wax, until sufficiently coated to work pliable, and then I impress the same with a suitable die, so as to form the bottom or base of honey-cells. The wax may be put on both sides of the sheets of wood, and stamped, or may be put on one side, and two sheets tacked or glued to suitable slats, as shown, so as to form a chamber between them.

I make a hole through the plates or sheets B, near the upper edge thereof, and insert therein a pipe, *x*, so as to form a convenient passage for the bees through from one part of the hive to another, or to the surplus-honey boxes *c*, and thus save the time and trouble of passing over unclosed cells and comb.

Having thus fully described my invention, what I claim as new, and desire to secure by Letters Patent, is—

The honey-comb foundation B, when provided with a passage, *x*, and constructed substantially as and for the purposes herein specified.

In testimony that I claim the foregoing, I have hereunto set my hand, this 27th day of February, 1868.

W. A. FLANDERS.

Witnesses:

C. P. LEITER,  
T. H. WIGGINS.