

MOON & TURNER.
Bee Hive.

No. 81,398.

Patented Aug. 25, 1868.

Fig. 1

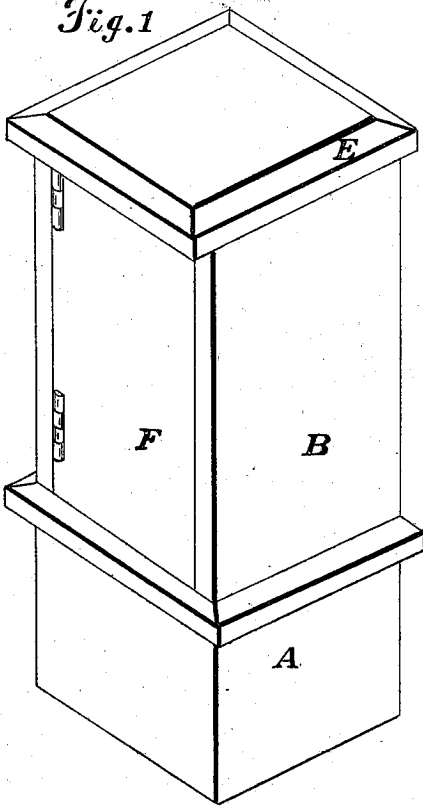


Fig. 2

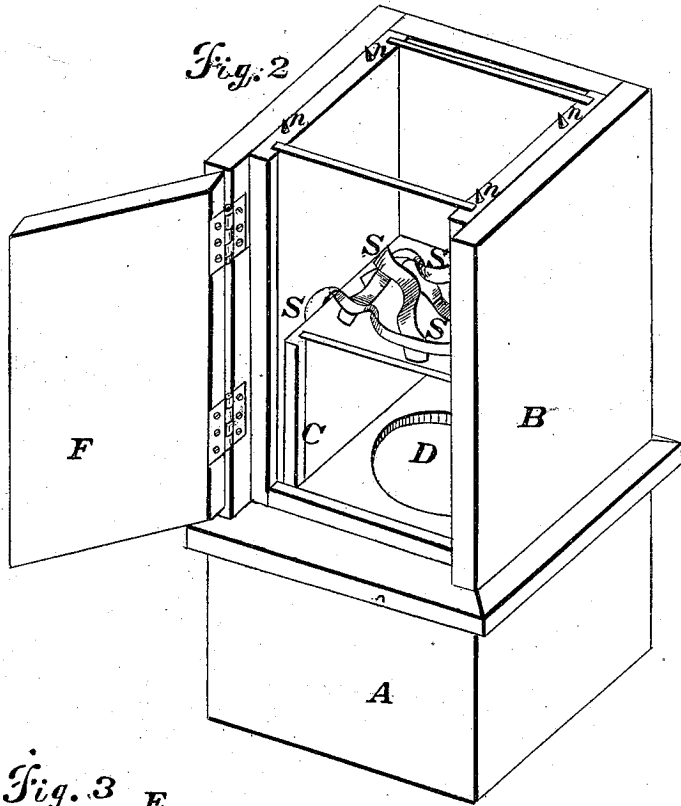
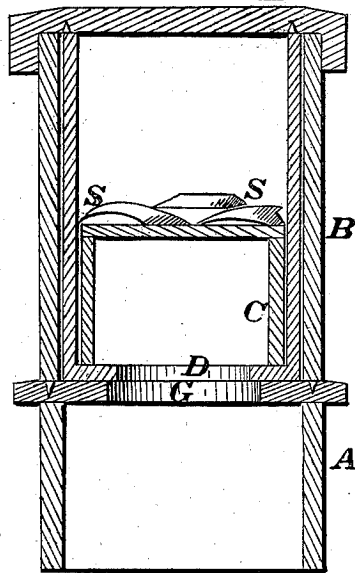


Fig. 3



WITNESSES:

Wm. H. Adams
A. V. White

INVENTOR:

H. Moon & D. B. Turner
per *J. H. Alley*
Attorney

MOON & TURNER.
Bee Hive.

No. 81,398.

Patented Aug. 25, 1868.

Fig. 1

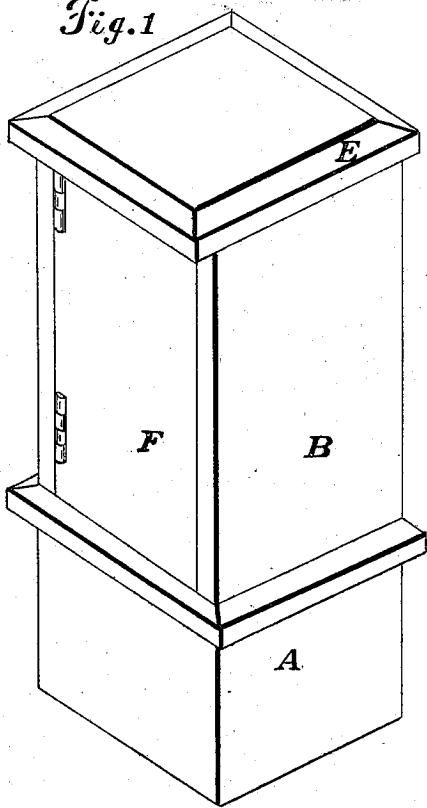


Fig. 2

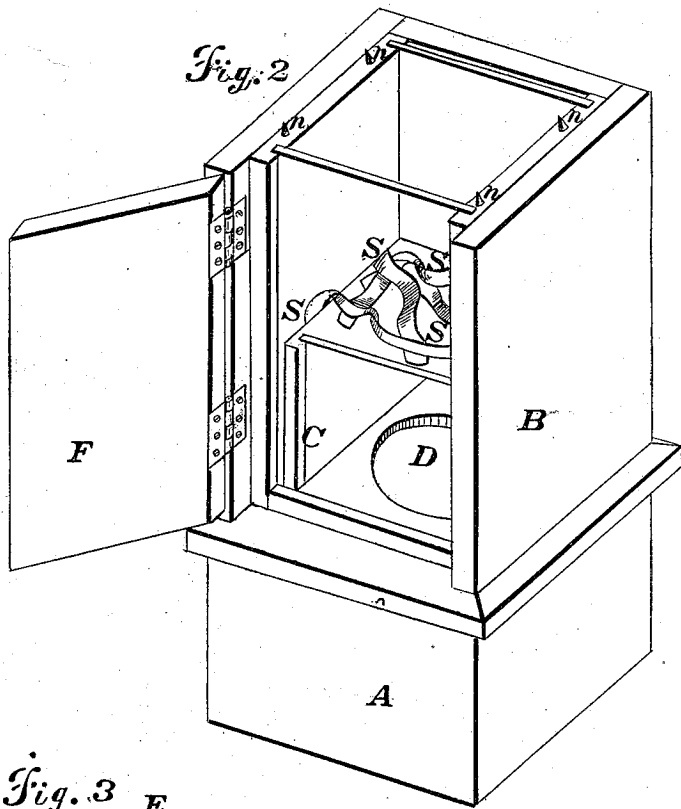
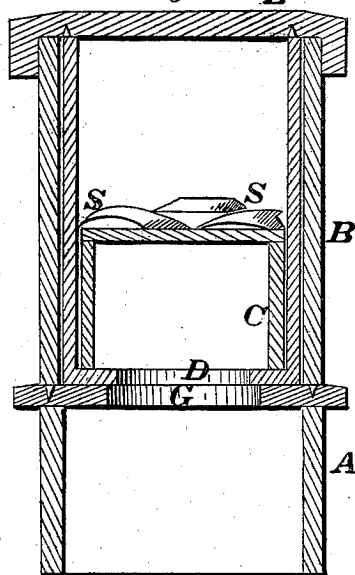


Fig. 3



WITNESSES:

Wm. H. Adams
A. V. White

INVENTOR:

H. Moon & D. B. Turner
per *J. H. Alley*
Attorney