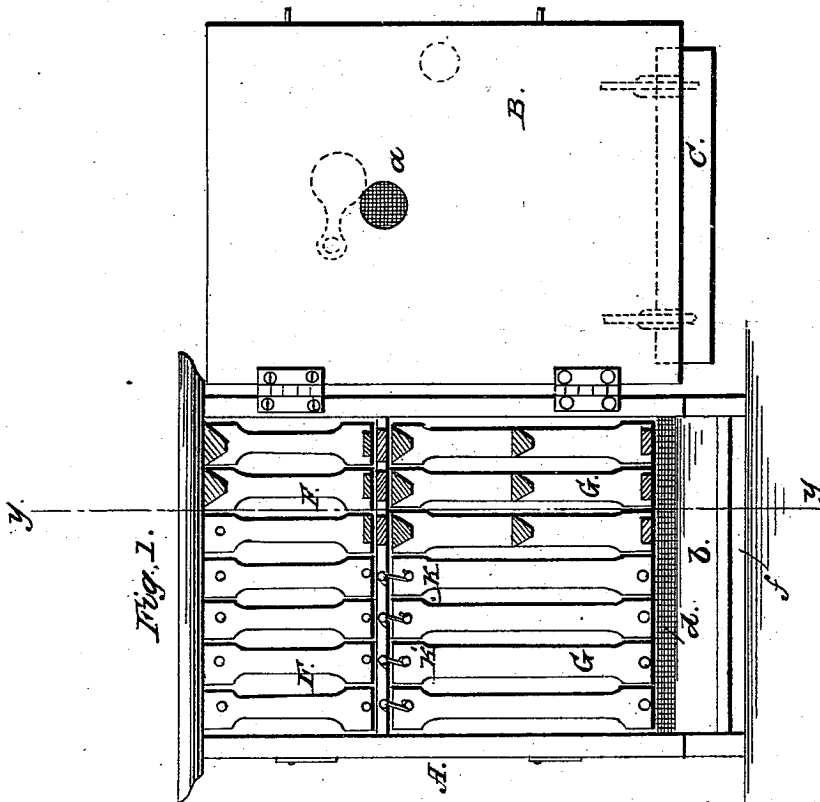
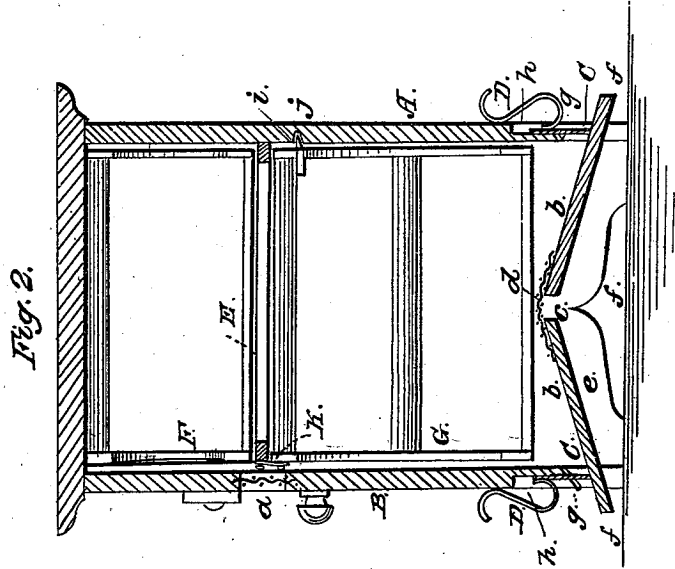


V. ZIMMERMAN.

Bee Hive.

No. 82,372.

Patented Sept. 22, 1868.



WITNESSES:
H. B. Ashkettle
J. A. Morgan

INVENTOR:
V. Zimmerman
per Messrs. C. & G. Atkinson

United States Patent Office.

VALENTINE ZIMMERMAN, OF MORRIS, ILLINOIS.

Letters Patent No. 82,372, dated September 22, 1868.

IMPROVEMENT IN BEE-HIVES.

The Schedule referred to in these Letters Patent and making part of the same.

TO ALL WHOM IT MAY CONCERN:

Be it known that I, VALENTINE ZIMMERMAN, of Morris, in the county of Grundy, and State of Illinois, have invented a new and improved Bee-Hive; and I do hereby declare that the following is a full, clear, and exact description thereof, which will enable those skilled in the art to make and use the same, reference being had to the accompanying drawings, forming part of this specification.

This invention relates to a new and improved bee-hive, and it consists in a novel arrangement of hanging or suspending the comb-frames, the employment of a slatted partition-board, a novel moth-trap, and adjustable slides, all constructed as hereinafter set forth, whereby a very superior bee-hive is obtained.

In the accompanying sheet of drawings—

Figure 1 is a front view of my invention with the door open.

Figure 2, a vertical section of the same, taken in the line *y y*, fig. 1.

Similar letters of reference indicate corresponding parts.

A represents the box or case of the hive, which is of quadrilateral form, about fourteen inches in width and depth, and about thirty-three inches high.

The box or case is provided with a door, B, hinged to its front side, and having a hole, *a*, for ventilation, made in it, about two inches in diameter, and covered with wire cloth.

The bottom of the hive is composed of two inclined pieces, *b b*, a space, *c*, being allowed between their upper ends, which space is covered with wire cloth, *d*.

The inclined pieces *b b* are above the lower ends of the sides of the box or case, a space, *e*, being allowed underneath for a moth-trap, an entrance, *f*, to which is at each side of the hive, (see fig. 2.)

C C are slides, applied, one to the lower end of the door, and the other to the lower end of the rear side of the hive, to vary the capacity of the bee-entrances, and close the same entirely when desired.

These slides are secured in position by springs, D, one end of which is attached to the slides, the springs being bent or curved in such a manner as to press against the outer surface of the box or case sufficiently hard to hold the slides at any desired point within the scope of their movement, the slides fitting in recesses, *g*, in the bottom of the door and rear side of the box or case, and the springs passing through slots, *h*, made in the front or exterior surfaces of the door and rear side of the hive.

E is a slatted partition-board, fitted horizontally in the hive, in such a manner that it may be readily withdrawn whenever desired, and

F are comb-frames, fitted in the upper compartment, which is designed for the spare or surplus honey.

The comb-frames G, below the partition E, are provided, at their rear sides and upper ends, with pins, *i*, which fit in holes, *j*, in the rear of the hive, the fronts of the frames G being sustained by hooks, *k*, from the front edge of the partition E.

By this arrangement, the comb-frames may be readily removed whenever desired, and also readily replaced, and a free passage is allowed the bees from the lower to the upper compartment of the hive.

I claim as new, and desire to secure by Letters Patent—

1. The slatted partition E, arranged to support the frames F and the front ends of the lower frames G, as herein shown and described.

2. The securing of the lower comb-frames G in position by means of the pins *i* and hooks *k*, substantially as shown and described.

3. The slides C C, applied to the box or case, in connection with the springs D, in the manner substantially as and for the purpose set forth.

VALENTINE ZIMMERMAN.

Witnesses:

HENRY O. WARD,

E. B. HANNA.