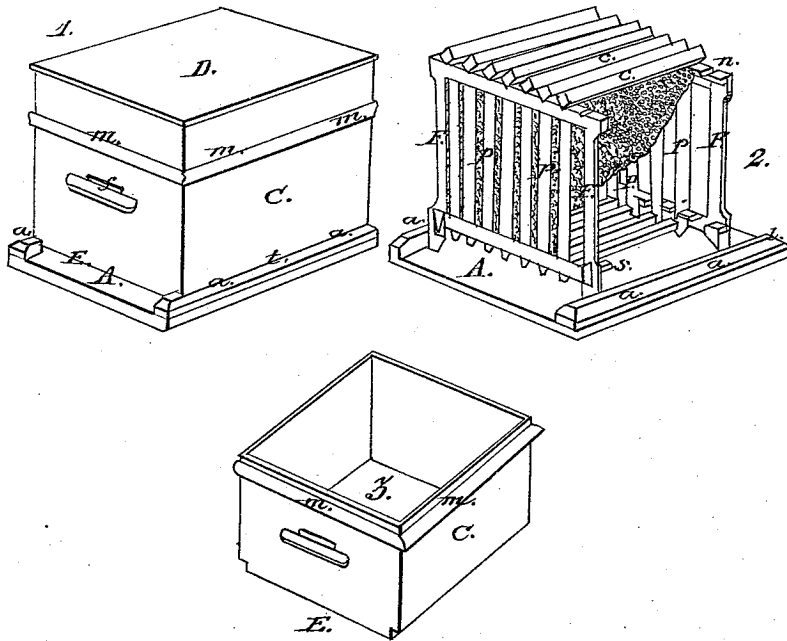


*T. R. Allen,*

*Bee Hive.*

*No. 34,788.*

*Patented Dec. 8, 1868.*



WITNESSES:  
*Thomas Mumiam.*  
*Austin E. Messenger.*

INVENTOR:  
*Thomas R. Allen*



THOMAS R. ALLEN, OF SYRACUSE, NEW YORK.

Letters Patent No. 84,788, dated December 8, 1868.

IMPROVEMENT IN BEE-HIVES.

The Schedule referred to in these Letters Patent and making part of the same.

To all whom it may concern :

Be it known that I, THOMAS R. ALLEN, of the city of Syracuse, Onondaga county, New York, have invented a new and improved Bee-Hive; and I do hereby declare that the following is a full, clear, and exact description of the construction of the same, and the form thereof, when complete and ready for use, reference being had to the annexed drawings, forming a part of this specification, wherein—

Figure 1 represents the outside covering of the bee-hive.

Figure 2 represents the interior frame-work, with the top and side covering removed.

Figure 3 represents the side covering removed from the bee-hive.

The letters used represent corresponding parts wherever they occur.

To enable others skilled in the art to make and use my invention, I will proceed to describe the same, and the manner in which it may be used.

A represents the bottom of the hive, which should be a smooth board, of sufficient size and thickness to support the frame-holder.

To the sills *a a* are fastened, by means of screws or otherwise, in any common form, the frame-holders *F F*, which are placed at a sufficient distance from each other to receive the comb-frames *b b*.

It is better to make the frame-holders of cast-iron, although they may be made of wood or any suitable metallic substance, and at the top of the frame-holders I make notches, *n n n*, to receive the main beams of the comb-frames, and on the inside of the lower part I make studs *s s s*, with openings between them, to receive the comb-frames.

The comb-frames are made of wood, in the common form, with a main beam, *b b*, side pieces *p p*, and a cross-piece at the bottom, *o o*.

The side pieces *p p* should be made so as to loosely fit in the spaces between the studs *s s*, for convenience in handling, but not so loose as to give them any side or swinging motion.

The outside cover or shell *C* is made so that there will be a place for ingress and egress for the bees at *E* and *f*, and the top covering *D* will be made so as to fit over the outside shell or cover *C*, and thus keep out the wind and rain, and rests upon the moulding *m*.

I thus construct a bee-hive in all respects firm and strong, and which can readily be taken apart for any purpose that may be desired, and the comb-frames can easily be removed, without injury to themselves or to the bees.

What I claim as my invention, and desire to secure by Letters Patent, is—

1. The frame-holders *F F* separately, and also in combination with the sills *a a*, substantially as and for the purposes described.

2. Also, the same parts, in combination with the comb-frames *c c*, substantially as described, and independent of and detached from the outside covering *C D*.

3. Also, the frame-holder *F*, constructed as described, in combination with the outer covering *C* and top *D*, as set forth.

T. R. ALLEN.

Witnesses:

N. B. SMITH,  
C. W. SMITH.