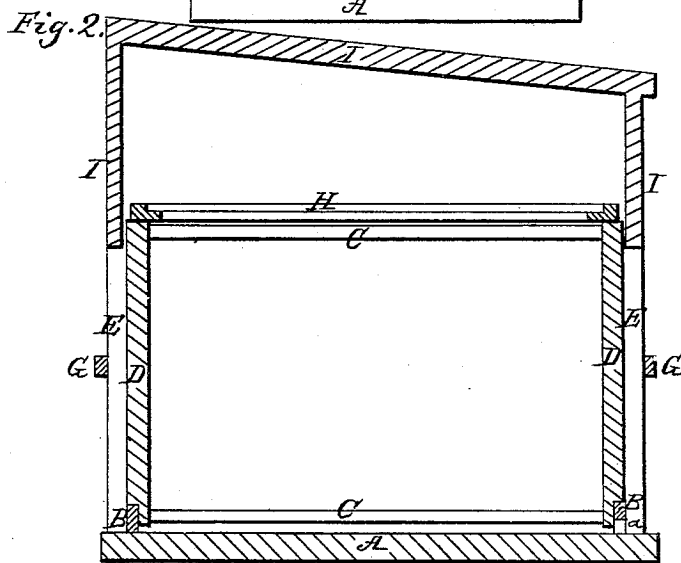
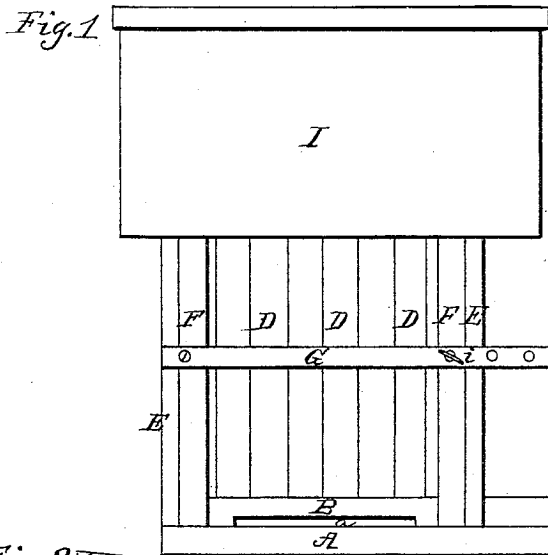


A. P. DURANT.

Bee Hive.

No. 84,805.

Patented Dec. 8, 1868.



Witnesses:

Cornelius Esp.
 Leopold Gaurb

Inventor:

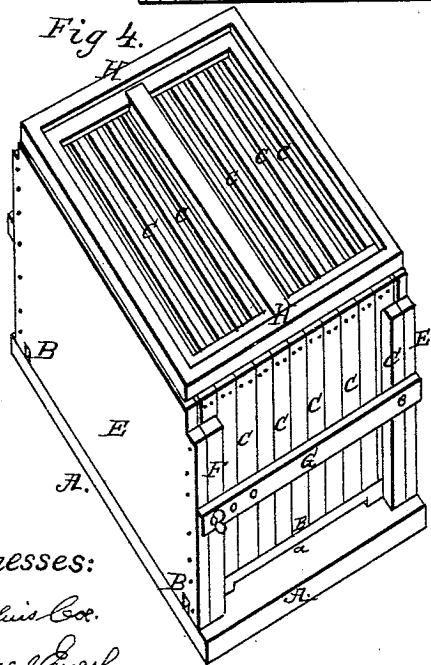
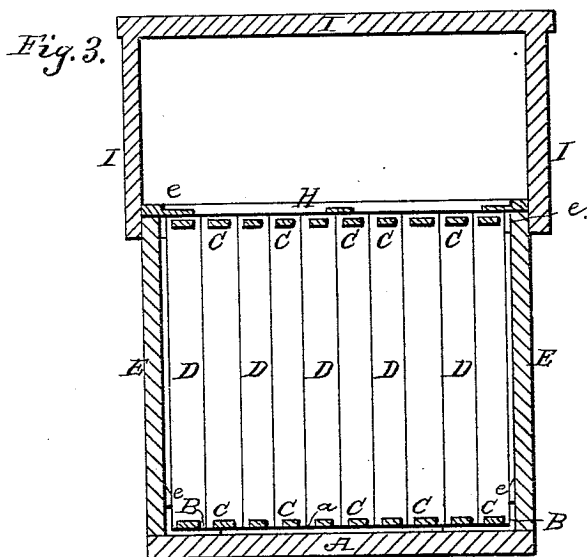
A. P. Durant
 per Alexander Mason
 J. H. Hays.

A. P. DURANT.

Bee Hive.

No. 84,805.

Patented Dec. 8, 1868.



Witnesses:

Cornelius Cox.

Leopold Guenther

Inventor:

A. P. Durant
per Charles Quasas
Atty.

United States Patent Office.

A. P. DURANT, OF ATHENS, OHIO.

Letters Patent No. 84,805, dated December 8, 1868.

IMPROVEMENT IN BEE-HIVES.

The Schedule referred to in these Letters Patent and making part of the same.

To all whom it may concern :

Be it known that I, A. P. DURANT, of Athens, in the county of Athens, and in the State of Ohio, have invented certain new and useful Improvements in "Bee-Hives;" and do hereby declare that the following is a full, clear, and exact description thereof, reference being had to the accompanying drawings, and to the letters of reference marked thereon.

The nature of my invention consists in a bee-hive, so constructed that it can easily be enlarged or diminished, to suit a large or small swarm of bees.

In order to enable others skilled in the art to which my invention appertains, to make and use the same, I will now proceed to describe its construction and operation, referring to the annexed drawings, which form a part of this specification, and in which—

Figure 1 is a side elevation;

Figure 2, a sectional end view; and

Figure 3, a side elevation in section.

Figure 4 is a perspective of the hive, with the cap removed.

A represents the base or bottom, which, near each end, is provided with a cross-bar, B, firmly secured to the upper side of the same. One of these bars is provided with a slot or opening, *a*, which forms the entrance to the hive.

On the cross-bars B B rest the frames C D. These frames consist of top and bottom bars C C, and side bars D D, the latter being not only wider than the former, but also extending a trifle beyond the same, both at the top and bottom.

The side or rather end bars D D are cut out, as shown in fig. 2, so as to form a good rest when placed on the cross-bars B B, and still leave sufficient room or space between the lower ends of the end bars D D and the bottom, A, for the passage of the bees.

The end bars D D being, as already mentioned, wider than the top and bottom bars C C, leave ample space for the bees to pass up and down from the bottom of the hive to the frames, and also from the top of the frames to the honey-boxes.

The sides of the hive are formed of the boards E, which have bars, F F, secured to their ends, as shown in fig. 1.

The boards E E are slotted, so as to allow them to fit over the cross-bars B B, and rest on the base or bottom, A. They are also, on the inner side, provided with lugs, *e e*, which keep the side pieces E F at the same distance from the outer bars C C as the said bars are from each other throughout the hive, both at the top and bottom.

To hold the hive, thus formed of the frames C D and side pieces E F, together, I place at each end a bar, G, which is pivoted to one of the end pieces, and secured to the other by a set-screw, *i*.

It will readily be seen that, by this arrangement, I can enlarge or diminish the size of the hive, by merely adding or taking away a few of the frames, and by changing the set-screws *i i*, the hive can always be kept together.

On top of the hive, formed as above described, is placed a frame, H, which is of the size of the full hive, and on this frame the honey-boxes are placed.

Over these, a cover or lid, I, is then placed, which cover entirely encloses the honey-boxes and frame H, extending, also, below the upper edge of the hive proper, resting on the ends of the boards E E and on the bars F F, the ends of the boards E E being notched for that purpose, as seen, fig. 2.

When changing the size of the hive, it is not necessary to change the cover or cap I, as the frame H fills the cap entirely.

Having thus fully described my invention,

What I claim as new, and desire to secure by Letters Patent, is—

The combination of the base or bottom, A, bars B B, frames C D, side pieces E F, connecting-bars G G, frame H, and cap I, all constructed and arranged substantially as herein set forth.

In testimony that I claim the foregoing, I have hereunto set my hand and seal, this 9th day of October, 1868.

A. P. DURANT. [L. s.]

Witnesses :

J. M. DANA,
D. M. BUCKLEY.