

A. S. Layton,

Bee Hive.

No. 86,765.

Patented Feb. 9, 1869.

Fig. 2.

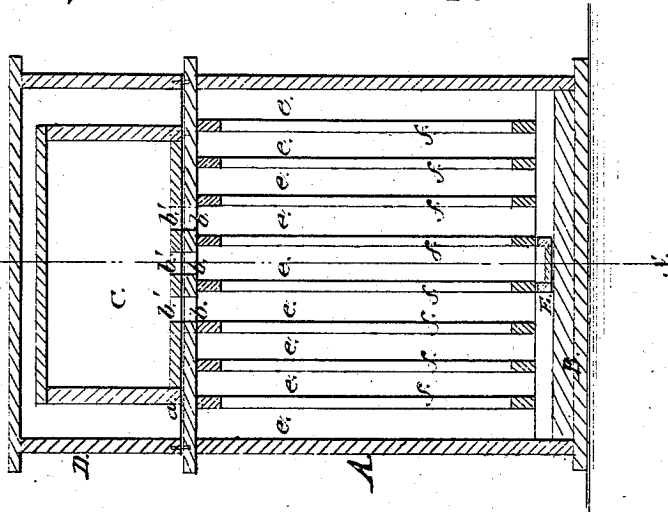
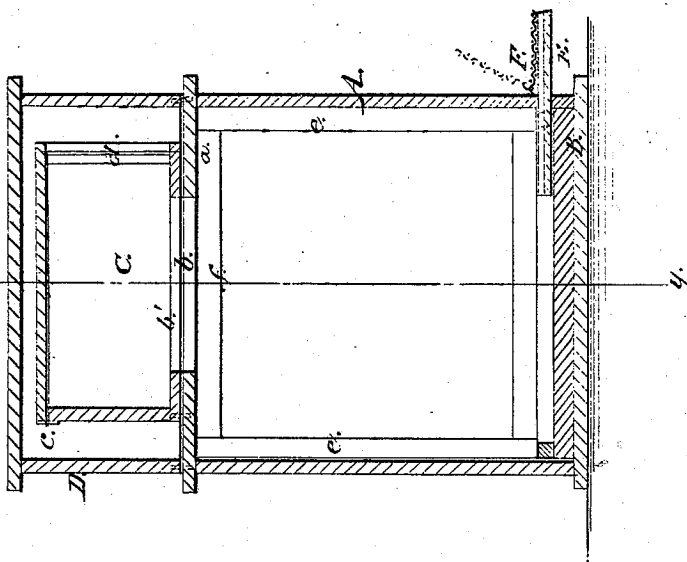


Fig. 1.



Witnesses:
Almon W. ...
Wm. A. Morgan

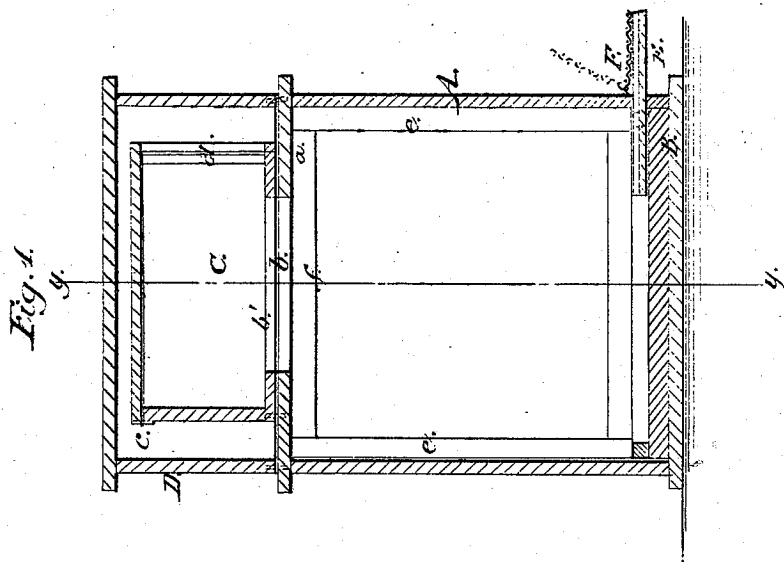
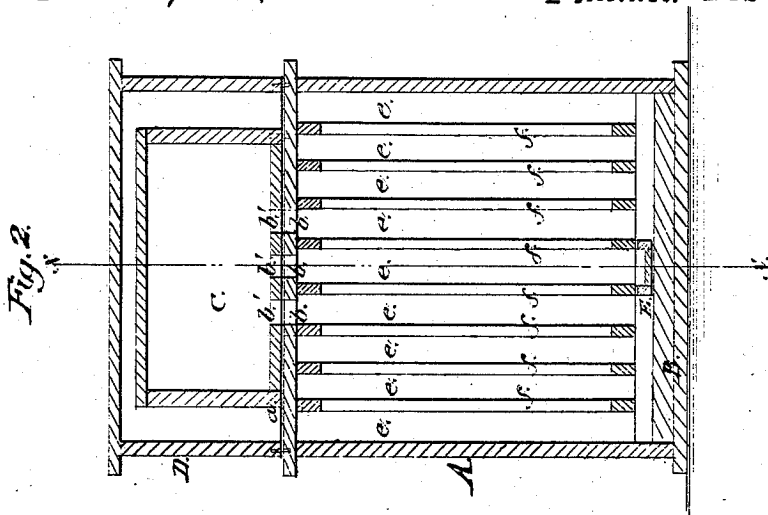
Inventor:
A. S. Layton
Munk & Co.
attorneys

A. S. Layton,

Bee Hive.

No. 86,765.

Patented Feb. 9, 1869.



Witnesses:
Almon W. Morgan

Inventor:
A. S. Layton
Munk & Co.
attorneys