

G. J. Flansburgh.

Bee Hive.

No. 86,913.

Patented Feb. 16, 1869.

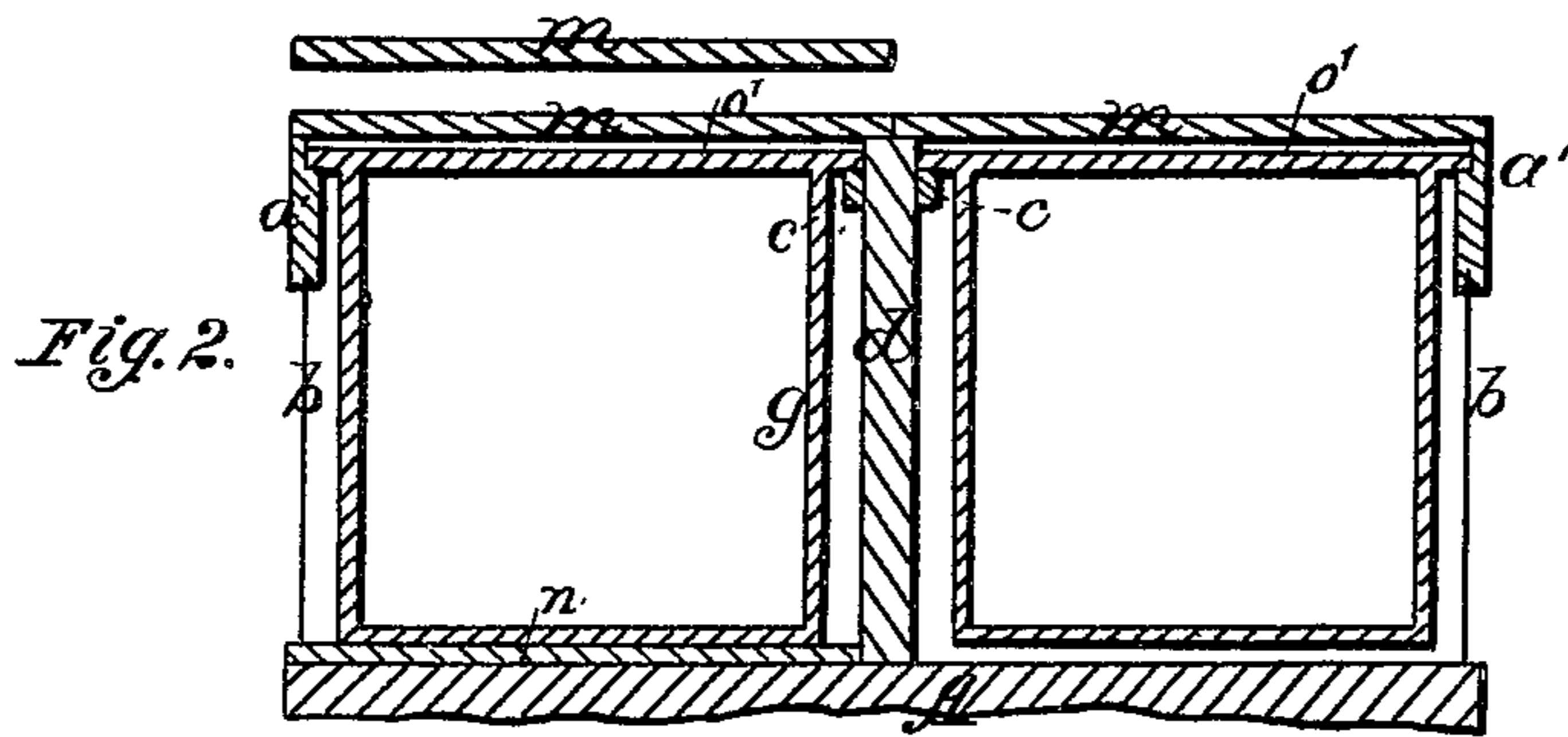
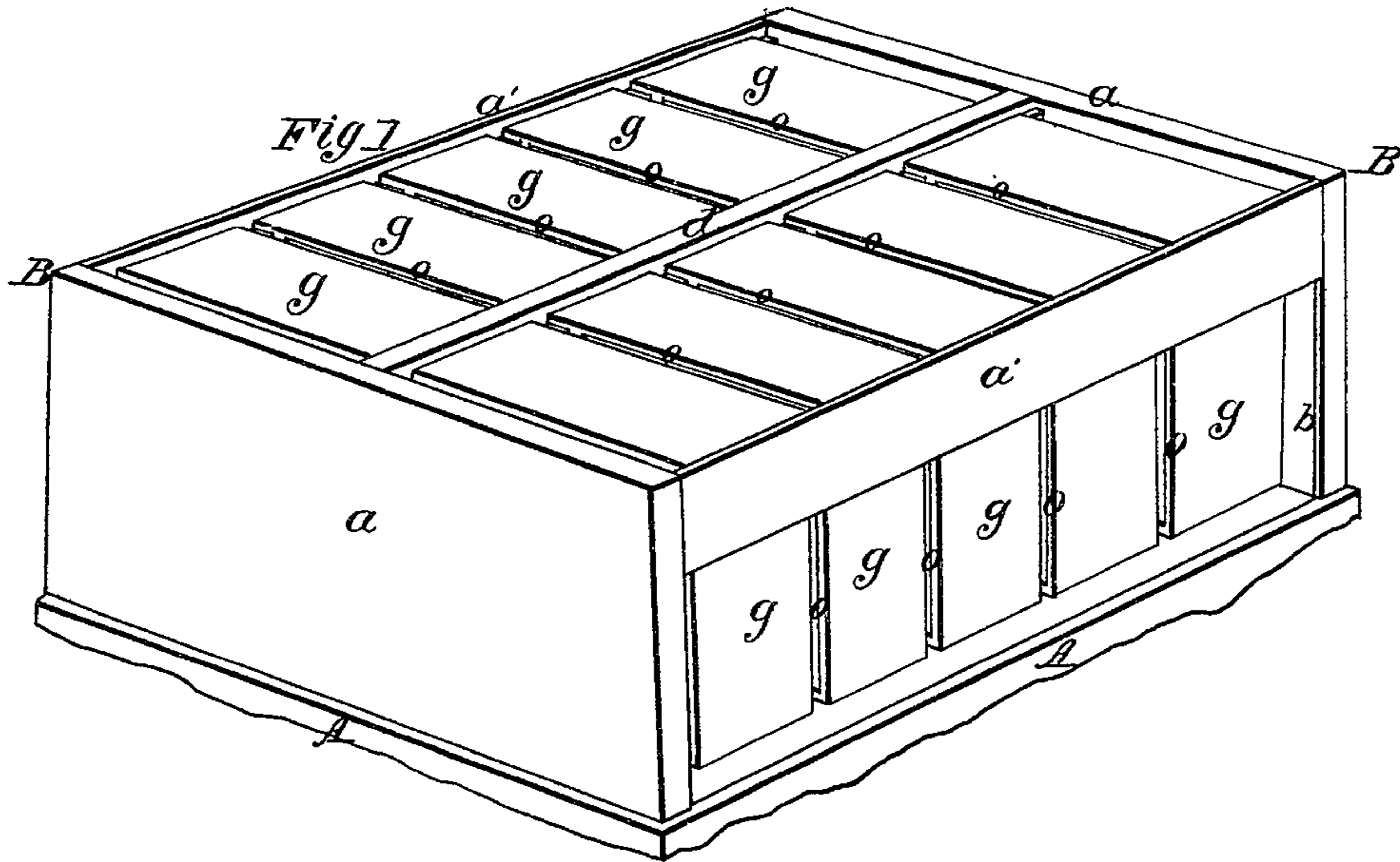


Fig. 3.

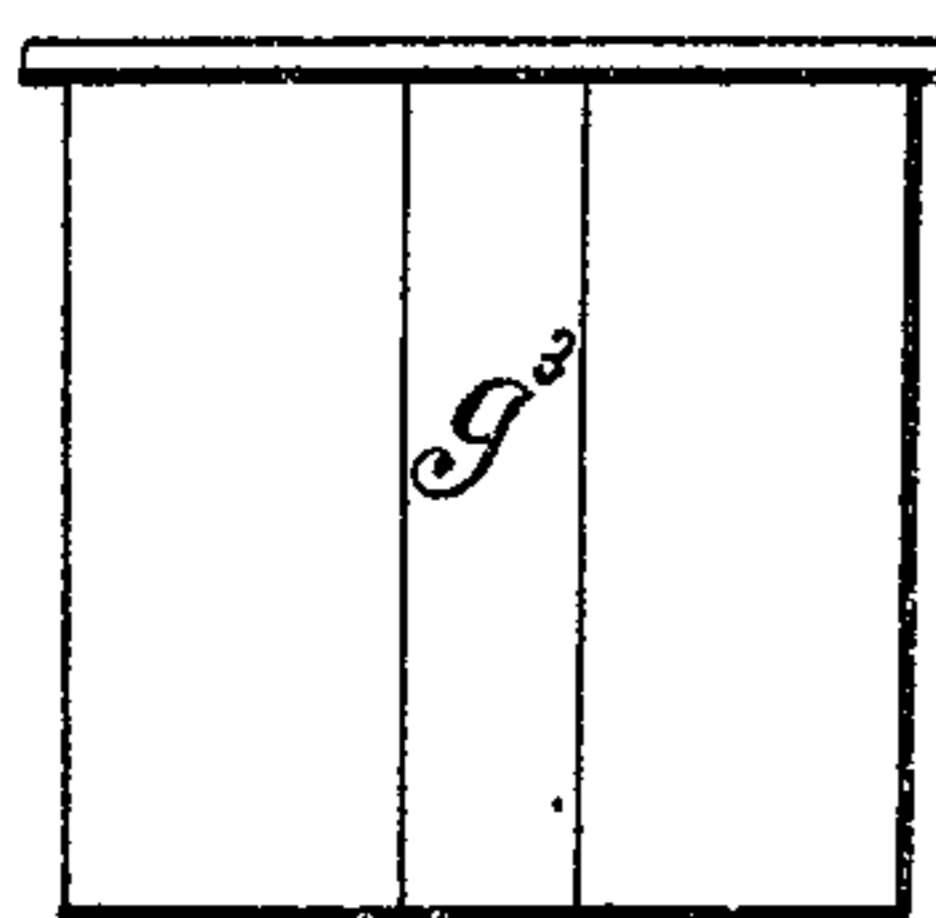
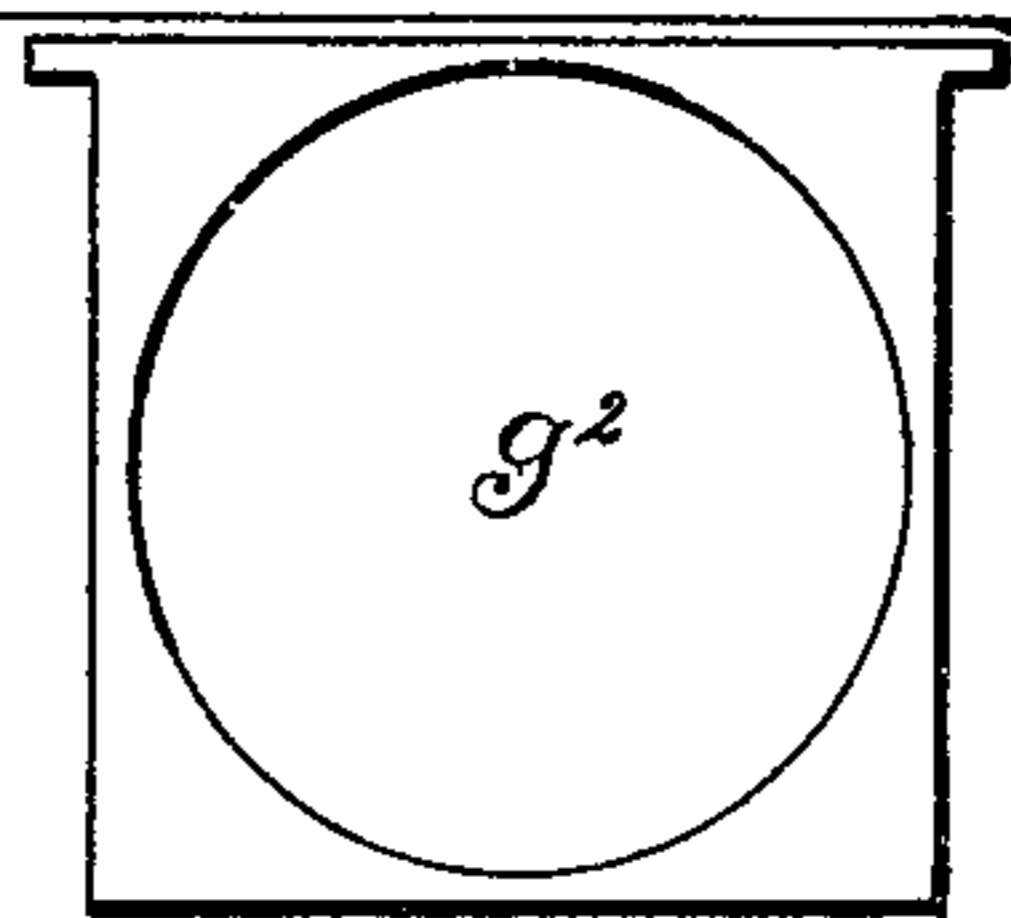
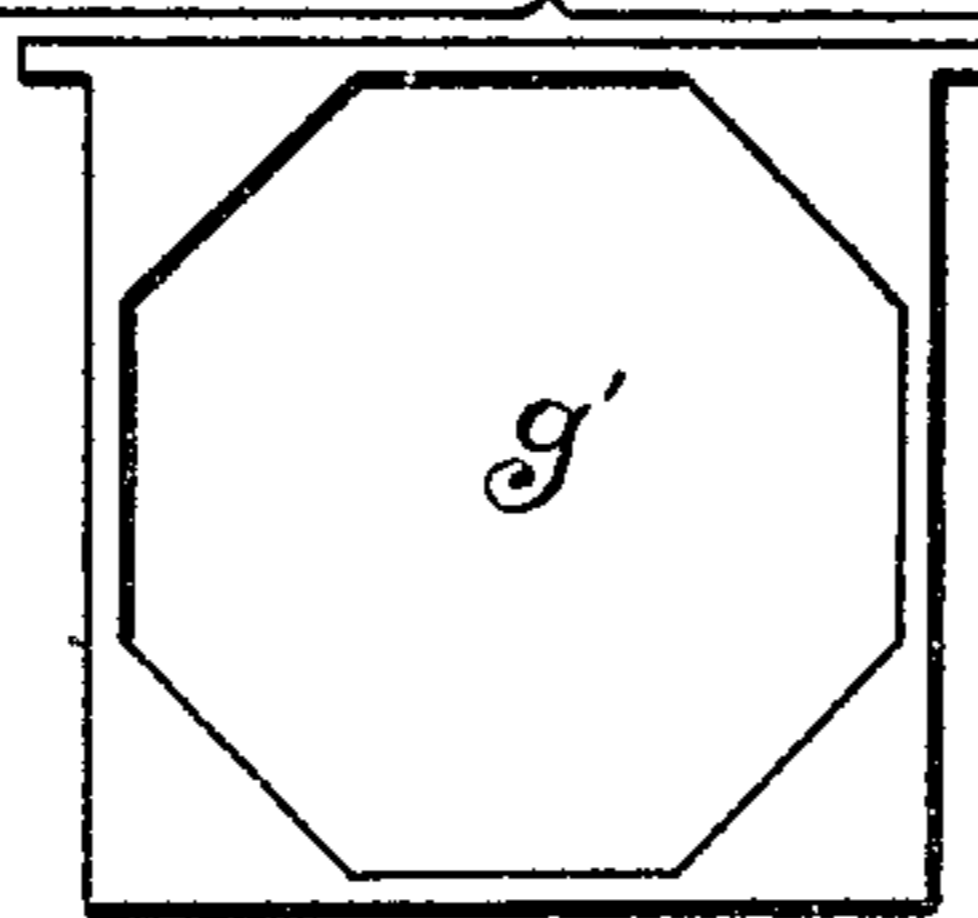
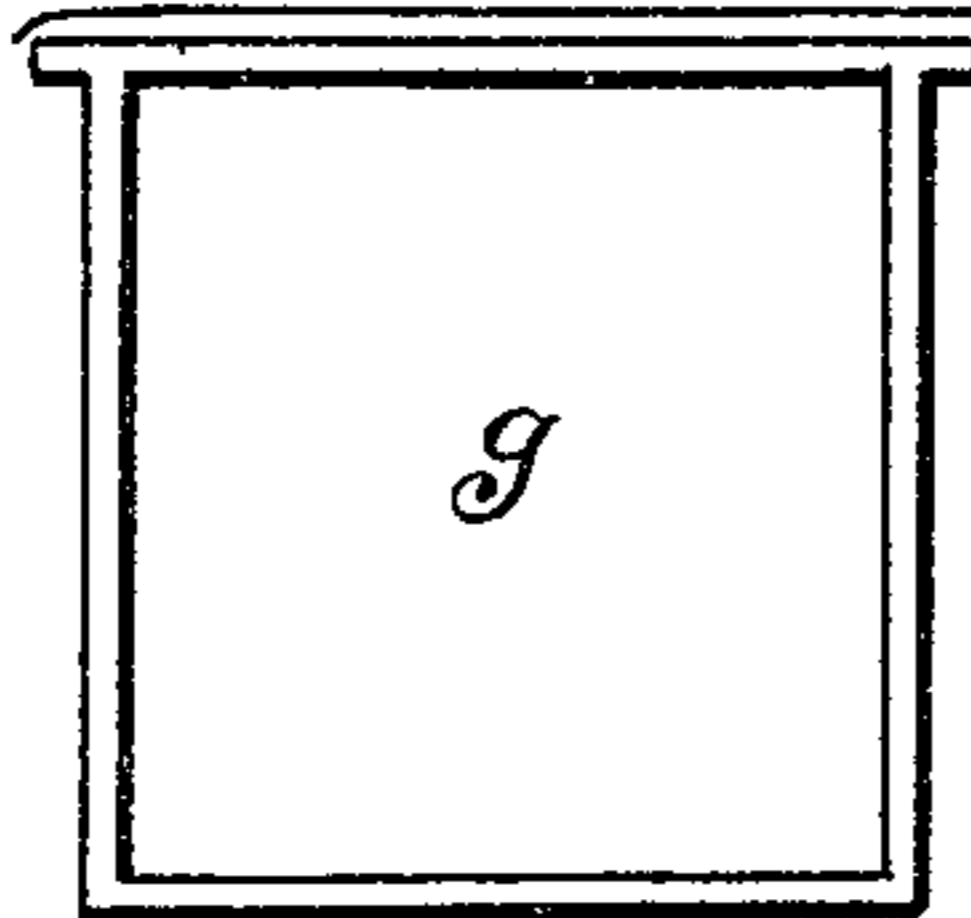


Fig. 4.



Witnesses,
William M. [Signature]
Alexander Selkirk.

Inventor,
Garret J. Flansburgh

United States Patent Office.

GARRET J. FLANSBURGH, OF BETHLEHEM, NEW YORK.

Letters Patent No. 86,913, dated February 16, 1869.

IMPROVEMENT IN BEE-HIVES.

The Schedule referred to in these Letters Patent and making part of the same.

To all whom it may concern:

Be it known that I, GARRET J. FLANSBURGH, of the town of Bethlehem, county of Albany, State of New York, have invented certain new and useful Improvements in Surplus-Honey Chambers and their adjuncts, whereby the bees are compelled to make them of such size, form, and quantities in the table-honey frames, as the bee-keeper may beforehand determine; and I do hereby declare that the following is a full, clear, and exact description thereof, reference being had to the accompanying drawings, and the letters of reference marked thereon, in which—

Figure 1 is a perspective view of table-honey frames in their holders, with covers removed.

Figure 2 is a lateral cross-section of same, with covers and false bottoms.

Figure 3 represents a prohibiting-block, or false frame.

Figure 4 represents some of the many forms of table-honey frames that may be used.

The nature of my invention consists of constructing a table-honey-frame holder with two or more apartments, separated by solid partitions. The two sides of this frame-holder, running at right angles with the partitions, are made of wood, and are solid, and the two sides running parallel with the said partitions, are constructed of wood and glass. The wood part is uppermost, and has cut in its inner side a rabbet, about one-half inch deep from its top edge, and about one-quarter inch wide. The partitions are provided with cleats on each of their sides, placed about one-half inch below their top edges.

From these rabbets and cleats depend the table-honey frames, which may be so constructed as to give any desirable form to the comb to be made, and of such size as may be deemed best for market.

These frames are so placed as to give spaces of five sixteenths of an inch between, which spaces give ample room for the bees to work in, for sealing their combs.

Each apartment has a false bottom, which may be removed at will, and when any apartment has its bottom removed, the bees can have access to such apartment, to labor in it, to the exclusion of the others, and if it be desired to confine the work of the bees to one or two frames of any one apartment, the other frames have substituted for them, false or solid ones.

Over each apartment is placed a cover of wood or glass. These covers rest on the upper edges of the frame-holder and partitions, and when thus placed, afford spaces between the bottom of the said covers and the tops of the frames.

The bees working in any apartment, have free access from the body of the hive below, to the frames above, through the many spaces which bound all sides of the several frames, and can travel readily, from one frame to another, to the comb or combs in process of construction.

The glass sides give permission for watching the filling of the frames.

To enable others skilled in the art to make and use this invention, I will proceed to describe its construction and mode of operation, by the accompanying drawings, the same letters indicating like parts.

A, figs. 1 and 2, represents a section of the main body of a hive, in which the bees' winter store of honey is made, and on which is placed the table-honey-frame holder B.

This frame-holder may be made square or oblong, and is constructed with two solid sides, *a a*, fig. 1.

The other two sides are formed of the narrow wood pieces *a' a'*, and the glass *b b*.

The wood pieces *a' a'* are about one and one-half inch wide, and have rabbets *e e* cut in their upper edges, about one-half inch deep, and one-quarter inch wide.

The pieces *a' a'* have also grooves cut in their lower edges, to receive the glasses *b b*.

This frame-holder is divided into two or more apartments by partition *d*, which runs from one solid end *a* to the other solid end *a'*.

About one-half inch from the top edge are placed and fastened the two cleats *c c*, one on each side.

The top edge of these cleats *c* and the rabbets *e* of the wood pieces *a' a'*, form the supports from which the table-honey frames *g g g* depend.

The said table-honey frames *g* may vary from one and one-half inch to two inches wide, more or less, and are best made from pine wood, and the inner spaces may be of any desirable form, as *g g' g''*, fig. 4, and are made smaller than the apartments, so that spaces will be left between the sides of apartments and the frames.

The top sides of the frames project over the two sides, at right angles to them, and rest in the rabbets *e*, and on the cleats *c*, thus suspending themselves.

When placed in the frame-holder, the frames *g g* are placed so as to leave the spaces *o o o*, between them, about five-sixteenths of an inch wide.

Each apartment is provided with a cover, *m*, of wood or glass, which rests on the upper edges of the frame holder B and the partitions *d*, and when thus placed, gives the space *o'*, fig. 2, over which the bees can travel, but cannot wax to the top side of the frames *g g*.

When the frames of one apartment are to be filled, false bottoms, *n*, are slipped in the bottom of the other apartments, which exclude the bees from such apartments.

If desirable, all the apartments can be worked in by removing all the false bottoms *n*.

If but one frame, or any number of frames less than the whole number, in any one apartment, is desired to be worked in, prohibiting-blocks or false frames *g³*, fig. 3, are to be inserted in such apartment, and the said false frames *g³* so placed, would confine the work of the bees to the reduced number of frames for honey, as desired.

The advantages of these improvements are these:

First, the bees can be compelled to work in the main body of the hive, or in any or all the frames in the surplus apartments.

Second, the bee keeper can secure the best quality of honey in finished combs, by confining their work to a given number of frames, as the season, or length of bloom of blossoms on which the bees would work, would suggest.

Third, the combs can be made of any desirable form and size, as would be likely to suit the varied demands of consumers.

Having described my invention,

What I claim, and desire to secure by Letters Patent, is—

1. The surplus honey-frame holder, constructed as described, being removable as set forth, and provided

with one or more partitions, dividing it into apartments, in combination with the comb-frames placed therein, substantially as set forth, and for the purpose described.

2. In combination with a surplus-honey-frame holder, constructed as above described, the solid bottoms *n*, as set forth, and for the purpose described.

3. The elements above set forth, in combination with a hive, *A*, as described.

GARRET J. FLANSBURGH.

Witnesses:

WILLIAM M. FEE,
ALEXANDER SELKIRK.