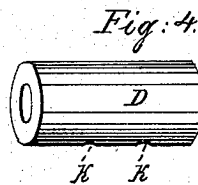
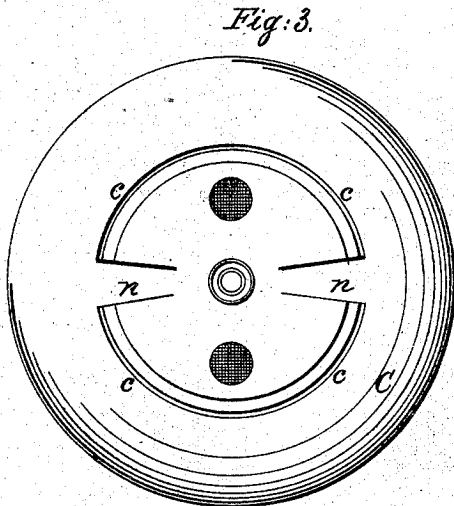
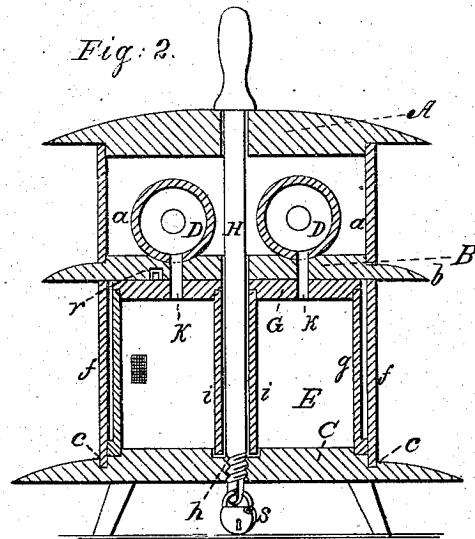
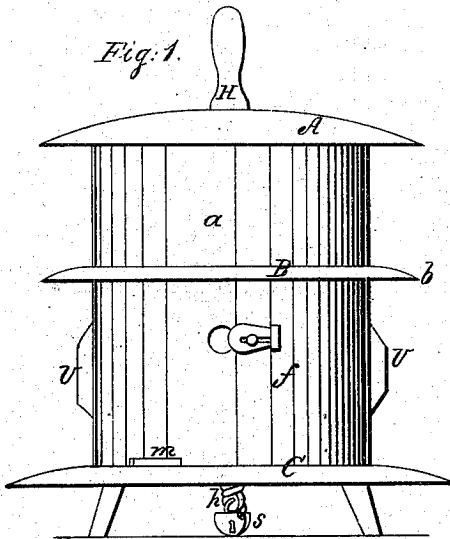


C. E. SPAULDING.

Bee Hive.

No. 89,896.

Patented May 11, 1869.



Witnesses:
Wm. A. Dodge
R. Hirsch

Inventor:
Chas. E. Spaulding
per *H. A. Hoyle* & Co.
Attys.

United States Patent Office.

CHARLES E. SPAULDING, OF THERESA, NEW YORK.

Letters Patent No. 89,896, dated May 11, 1869; antedated April 8, 1869.

IMPROVEMENT IN BEE-HIVE.

The Schedule referred to in these Letters Patent and making part of the same.

To all whom it may concern:

Be it known that I, CHARLES E. SPAULDING, of Theresa, in the county of Jefferson, and State of New York, have invented a new and improved Bee-Hive; and I do hereby declare that the following is a full, clear, and exact description thereof, which will enable those skilled in the art to make and use the same, reference being had to the accompanying drawings, forming part of this specification, in which—

Figure 1 is a perspective view;

Figure 2, vertical section; and

Figures 3 and 4 are detail views.

Similar letters of reference indicate like parts in all the figures.

This invention relates to certain new and useful improvements in bee-hives, whereby convenience and security are combined in a great degree with simplicity and neatness of construction; and

It consists in securing the hive against unauthorized intrusions, by locking in a central shaft, so as to bind all the parts together; also, in making the honey-boxes of a round form, to conform more nearly to the natural depositories of the wild bee; also, in making the upper and lower parts of the hive revolving, with relation to each other, by which means communication is cut off or restored between the said upper and lower parts of the hive with the greatest facility; also, in such construction that the lower hoop or wall of the hive shall revolve on its bed to open or close the entrance to the hive, as hereinafter more fully explained.

In the accompanying drawings—

A is the top, or roof;

B is a horizontal diaphragm, or partition; and

C is the bottom of the hive.

These parts are of a circular form, and are neatly turned out by lathe-work.

D D are the honey-boxes, and

E is the hive, or home of the bees.

The hoop *a* is secured to the cover A, and forms the chamber for holding the honey-boxes D D, fig. 2.

Between the diaphragm B and bottom, C, is an outside hoop, *f*, and an inner hoop, or wall, *g*.

The hoop *f* rests in a groove, *c*, in the bottom, C, and is free to be turned in said groove.

The hoop, or inner wall *g*, remains fixed, or does not turn on the bottom, C, and is provided with a head, or disk G.

A shaft, H, passes down through the centre of all the parts, and has a screw-thread, *h*, upon its lower end, which screws into the bottom, C, and binds the parts together.

The entrance of the hive is made by notching the hoops *f* and *g*, as seen at *m*, fig. 1, and by channels cut in the upper face of the bottom, as seen by *n n*, fig. 3.

To open these entrances, the hoop *f* is turned in the groove *c c*, so that the notches *m* engage with the channels *n* in the bottom; and to close them, said notches are turned aside from the channels *n* by revolving the hoop *f*.

The chamber E communicates with the honey-boxes, by means of holes *k k*, through the head G and diaphragm B.

To close these communications, or passages, the diaphragm B is revolved, by taking hold of the outer edge *b*, and this throws the holes in B out of line with those in G, and the passages are closed; and by returning B to its former position, the holes *k* again engage, and the passages are opened.

The head G is provided with a peg, or stop *r*, which works in a short groove in B, to stop the revolving motion of B at the proper point to make the holes *k* communicate with each other accurately.

The head G has also a tube, *i*, attached to it, for covering the passage of the shaft H through the chamber E, to prevent the bees from being disturbed by any movement of the shaft.

The honey-boxes are made round, as shown by fig. 4, so as to correspond to hollow limbs, which are sought out by the bees in their natural or wild state.

The chamber *a* can contain more than two boxes, if desired.

The two hoops, *f* and *g*, make a double wall for the chamber E, and the hive is not easily penetrated by cold.

To secure the hive against thieves, &c., the shaft H is locked in by a padlock, *s*, at its lower end.

The hoop *f* is provided with handles, *v v*, fig. 1, for turning it.

Suitable provision is made for ventilation, as usual.

Having thus described my invention,

What I claim as new, and desire to secure by Letters Patent, is—

1. The shaft H *h*, in connection with the removable upper chamber *a*, hive E, and lock *s*, substantially as and for the purpose herein described.

2. The revolving hoop *f*, in connection with bottom C *c n*, for opening and closing the entrances to the hive, substantially as set forth.

3. The shaft H, revolving upper chamber *a*, boxes D, revolving hoop *f*, and lower chamber E, having a covering-tube, *i*, and double walls *g f*, all constructed, arranged, and operated as and for the purpose herein set forth.

The above specification of my invention, signed by me, this 5th day of February, 1869.

CHAS. E. SPAULDING.

Witnesses:

I. L. HUNTINGTON,

R. A. IRVIN.