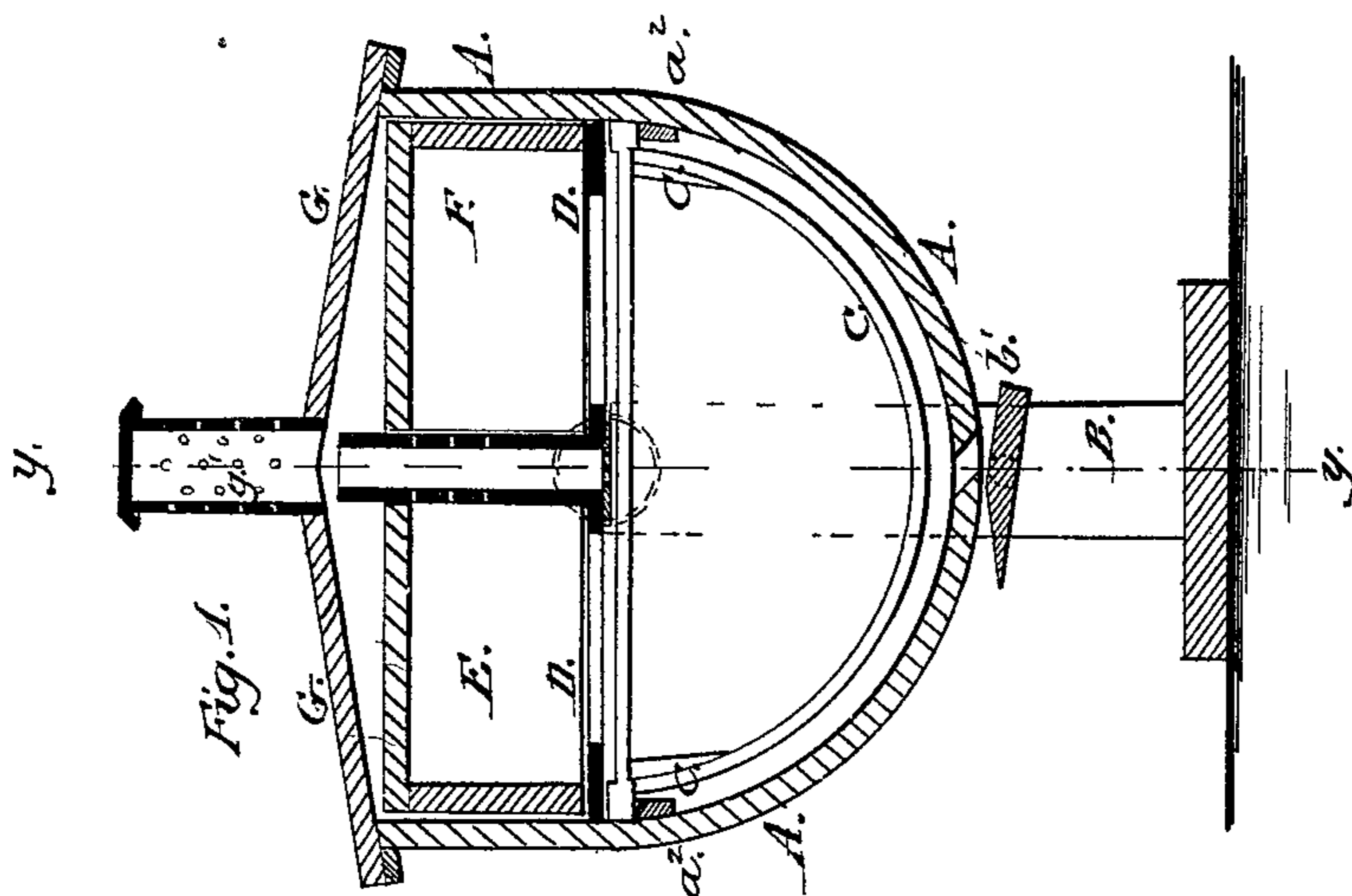
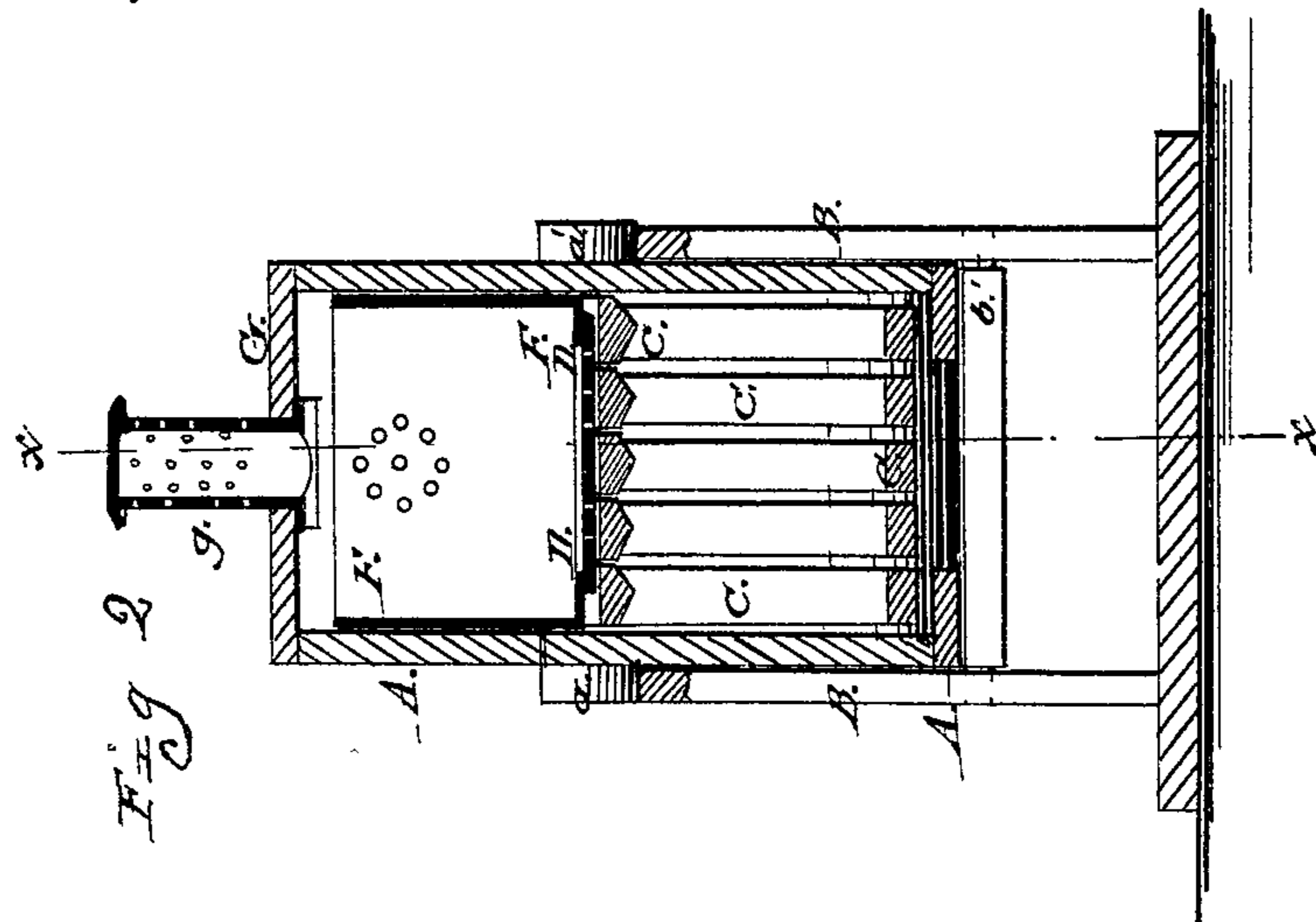


J. B. Farguhar,

Bee Hive.

No. 90,649.

Patented June 1, 1869.



Witnesses:
John H. Brooks
E. Greene Collins

Inventor:
J. B. Farguhar
by Mum & Co.
Attorneys;