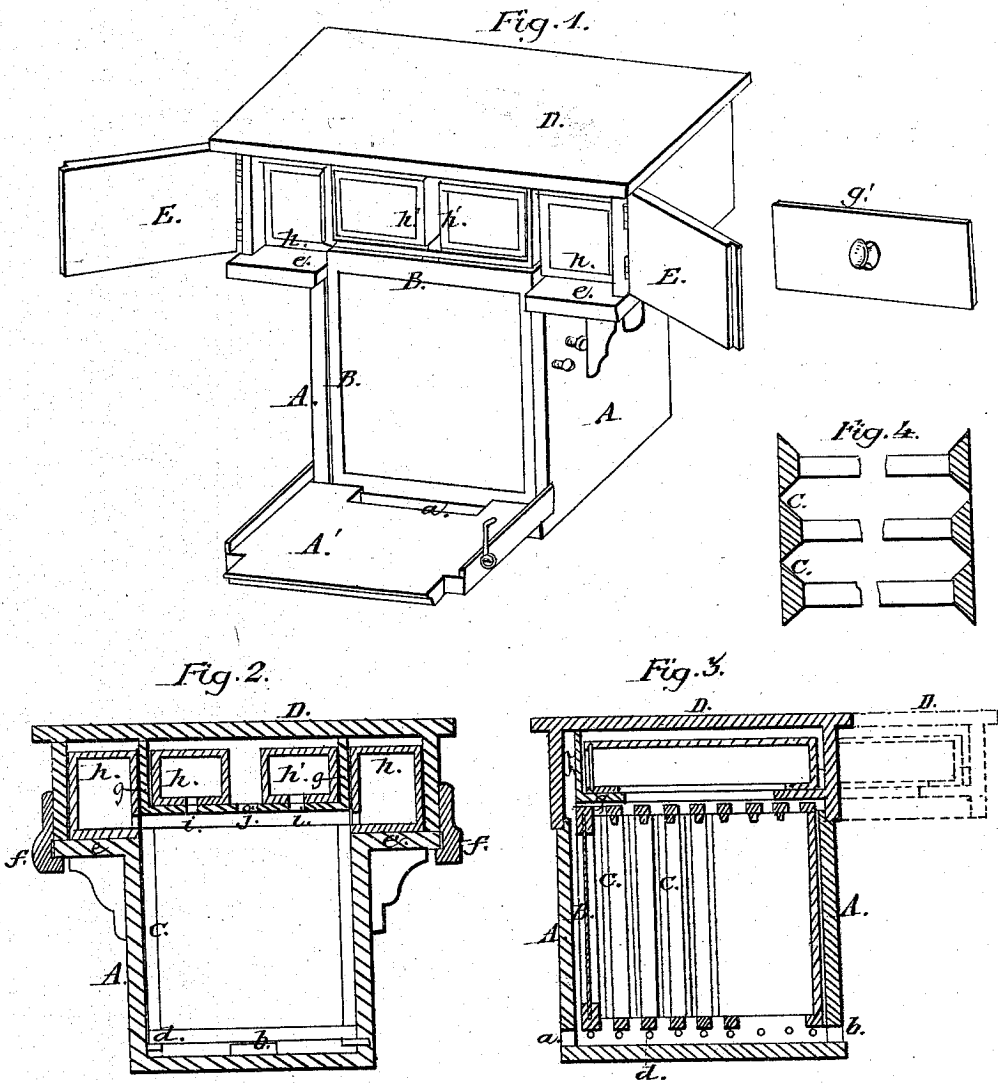


*E. M. Shedd,*

*Bee Hive.*

*No. 95,151.*

*Patented Sep. 21. 1869.*



*Witnesses:*  
*W. S. Sprague,*  
*Geo. Manchester*

*Inventor:*  
*Erasmus M. Shedd,*  
*PER*  
*Thos S Sprague*  
*Attorney,*

# United States Patent Office.

ERASMUS N. SHEDD, OF THREE OAKS, MICHIGAN.

Letters Patent No. 95,151, dated September 21, 1869.

## IMPROVEMENT IN BEE-HIVES.

The Schedule referred to in these Letters Patent and making part of the same.

To all whom it may concern:

Be it known that I, ERASMUS N. SHEDD, of Three Oaks, in the county of Berrien, and State of Michigan, have invented a new and useful Improvement in Bee-Hives; and I do hereby declare that the following is a true and accurate description thereof, reference being had to the accompanying drawings, and to the letters of reference marked thereon, and being a part of this specification.

Figure 1 is a perspective view of my hive with the doors open.

Figure 2 is a vertical section on the line *x x*, fig. 1.

Figure 3 is a vertical section on the line *y y*, fig. 1.

Figure 4 is a cross-section of the sides of the frames.

Like letters indicate like parts in each figure.

The nature of my invention relates to an improved construction of bee-hives, and consists in the employment of a sliding-cap, provided with a central compartment for containing the usual cap-boxes, its floor being provided with a grated opening for ventilating purposes, and is so arranged, that when the honey-boxes are removed from said compartment, the bees may be driven therein, and there retained, while the cap is slid back, uncovering the hive below; likewise in the general arrangement of its various parts, as hereinafter more fully shown and set forth.

In the drawings—

A represents the exterior of my hive, provided with the door A' on its rear side, in the bottom of which door is the opening *a*, provided with any convenient means for closing the same, for the purposes of cleaning the floor of the hive, and increasing the facilities for ventilating the hive.

*b* is the entrance to the hive for the bees.

At the rear side of the hive, within the door A', is placed a movable glazed frame, B, and within the hive are placed the frames C, resting on inward-projecting pins, *d*. The sides of these frames are wider than their tops, bevelled to an edge, so that when placed in position, a groove, *c*, will be left between them, as shown in fig. 4. The purpose in so constructing these sides being to separate the frames from one another, and prevent the bees, in forming the combs, from attaching them together.

The glass door B, heretofore referred to, enables the bee-keeper to watch the formation of the comb in the lower hive, and observe the condition of the bees.

D is a cap, of greater breadth than the body of the hive, its sides overhanging and resting upon a shelf,

*e*, projecting from each side of the hive, and is held in position by guides, *f*, embracing the edges of said shelves, so that the cap may slide back and uncover the interior of the hive, as shown in outline, fig. 3.

The cap is provided with a central compartment, *g*, whose partitions form, with the outer side walls of the cap D, two additional compartments, one at each side, over the shelves, for the reception of the cap-boxes *h*, provided with the usual openings for the ingress of the bees, and are filled with combs in the usual manner.

The rear of the cap is provided with doors E, for closing the same, and to give access to the boxes contained in the cap, which boxes are glazed at one end, as shown.

The compartment in cap D is further closed with an interior door or cover, *g*.

*h* are boxes, provided with openings in their bottoms, and placed in the central compartment, the bees having access to said boxes through openings *i* in the floor of the compartment, from the hive below. The floor of said compartment is further provided with grated openings, *j*, in a space left between the boxes, for the purpose hereinafter described.

The operation of honey-making in the lower hive is carried on in the usual manner, as also in the boxes *h*. When it is desired to remove the honey in the frames, the boxes *h*, in the central compartment, are removed, and said compartment closed by the cover *g*. The bees are then driven, by smoke or other proper means, into the empty compartment, and the openings *i* are closed by any proper slide, the grated openings *j* affording ventilation to, while it prevents the egress of the bees. The cap D is then slid back, when the frames may be removed without danger of breaking the combs, and the hive refilled with empty frames, when the cap, replaced in its proper position, the slides removed from the openings *i*, and the operation of honey-making recommenced.

What I claim as my invention, and desire to secure by Letters Patent, is—

The sliding-cap D, provided with the central compartment *g*, having a grated opening *j*, arranged and operating substantially as and for the purposes specified.

ERASMUS N. SHEDD.

Witnesses:

WILLIAM H. BREVEE,  
EVALON E. SHEDD.