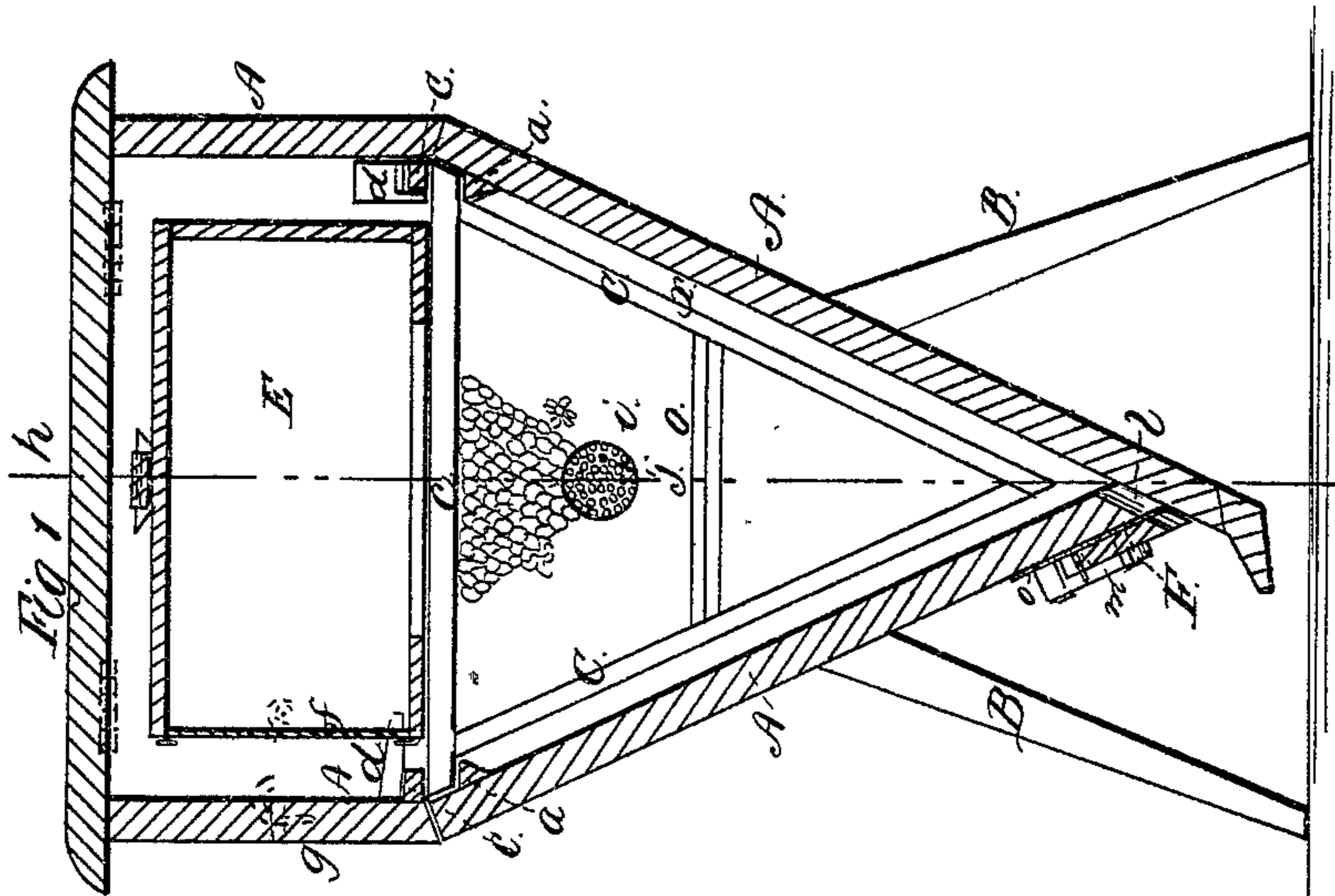
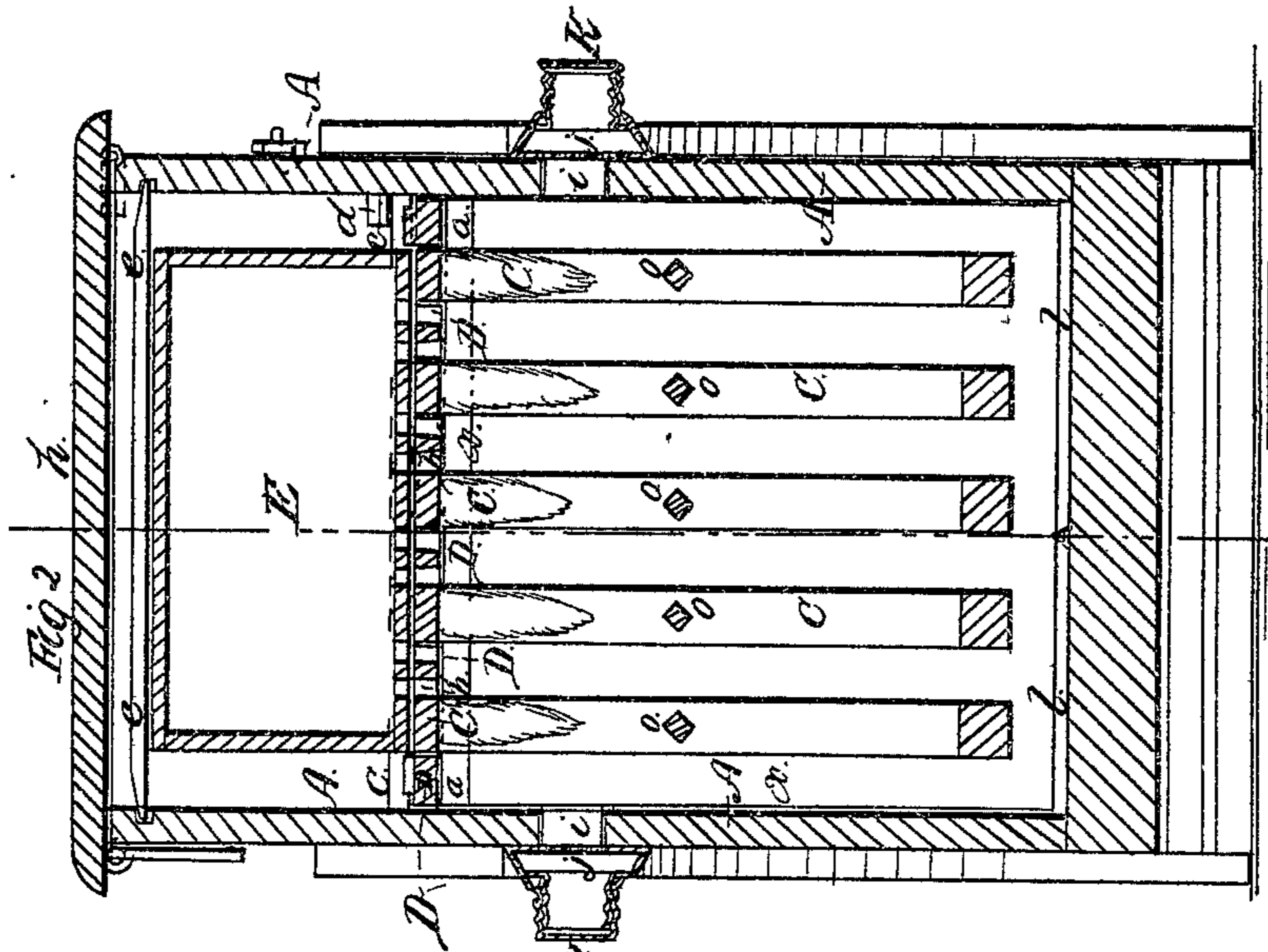


# Barber & Wolf

## Bee Hive.

N<sup>o</sup> 98,544.

Patented Jan. 4, 1870.



Witnesses  
*S. D. Barber*  
*J. Wolf*

Inventor  
*S. D. Barber.*  
*J. Wolf*  
 pr *Mumford & Co.*  
 Attorneys

# United States Patent Office.

SYLVESTER D. BARBER AND JAMES WOLF, OF MATTOON, ILLINOIS, ASSIGNORS TO SAID BARBER AND HIRAM COX, OF SAME PLACE.

Letters Patent No. 98,544, dated January 4, 1870.

## IMPROVEMENT IN BEE-HIVES.

The Schedule referred to in these Letters Patent and making part of the same.

To all whom it may concern :

Be it known that we, SYLVESTER D. BARBER and JAMES WOLF, of Mattoon, in the county of Coles, and State of Illinois, have invented a new and useful Improvement in Bee-Hives; and we do hereby declare that the following is a full, clear, and exact description thereof, which will enable those skilled in the art to make and use the same, reference being had to the accompanying drawings, forming part of this specification.

Figure 1 represents a vertical transverse section of our improved bee-hive.

Figure 2 is a vertical longitudinal section of the same.

Similar letters of reference indicate corresponding parts.

This invention relates to certain improvements in that kind of bee-hives which are pointed at the bottom; and

The invention consists in such an arrangement of parts that the bees will be protected from moths, frost, and all other inconveniences generally attending ordinary bee-hives.

A, in the drawing, represents the case or box of our improved bee-hive.

Its upper part is quadrangular, while the lower part is tapering to a sharp edge. It is supported on legs or supports B, which hold it so that the lower edge is elevated above the ground, to prevent moths, ants, &c., from entering the hive.

Where the tapering part joins the upper rectangular part, there are fitted, on the inclined faces, ribs or bars *a a*, from which triangular frames C C are suspended, as shown.

Between every two frames is interposed a lath or bar, D, which bars are either slotted or made narrow in the middle, so as to leave apertures *b b* for the bees to pass up.

The frames C and bars D are held down by means of bars *e*, placed over their ends and locked by pivoted lugs *d*.

The honey-box E is placed upon the bars D and frames C, as shown, and has apertures in the bottom, corresponding with the slots *b* aforesaid, so that the bees from below can enter the honey-box.

The box is or may be fastened by means of a bar or bars, *e*, fitted with the ends into indentures, formed in the sides of the box A, as shown in fig. 2.

Opposite the glass front *f*, of the honey-box, is arranged, in the case A, a folding door, *g*.

The cover *h* of the box A is also hinged.

In the vertical sides of the lower tapering box, are ventilating-apertures *t*, closed by means of perforated sliding plates *j*, and covered, if desired, by caps *k*.

The entrance for the bees is a long slot, *l*, extending the entire length of the hive, near or at the conjunction of the converging sides at the lower end.

This slot is provided with a plate or cover, F, which is pivoted to lugs *m*, which are, in turn, pivoted to the side of the hive.

The plate F has a small notch in its lower edge, which, when the plate closes the entrance-slot *l*, answers as a winter-entrance for the bees. This opening may be entirely closed by the plate *o*, or the latter may be reversed to cover the same with its perforated end, thus allowing, when required, slight ventilation of the hive without exit of the bees.

For the purpose of preventing moth-worms from spinning their cocoons in the joints or corners of the hive, and also the bees from waxing the frames, or starting their combs on the sides of the same, we apply "smelts" or emery, as indicated by *x*, in the drawing.

We claim as new, and desire to secure by Letters Patent—

1. The openings *i*, formed in the sides of a bee-hive, closed by perforated slides *j* and caps *k*, substantially as herein shown and described, to serve as ventilators or winter-entrances, as set forth.

2. The bee-hive, consisting of the tapering box A, suspended frames C C, slats D, honey-box E, gate F, which is pivoted to the arms *m*, and of the slide and cap *j k*, all arranged, combined, and operating substantially as herein shown and described.

SYLVESTER D. BARBER.  
JAMES WOLF.

Witnesses:

HAMILTON ROBB,  
O. P. HARRIS.