

E. Davis,

Bee Hive.

No. 107,012.

Patented, Sept. 6. 1870.

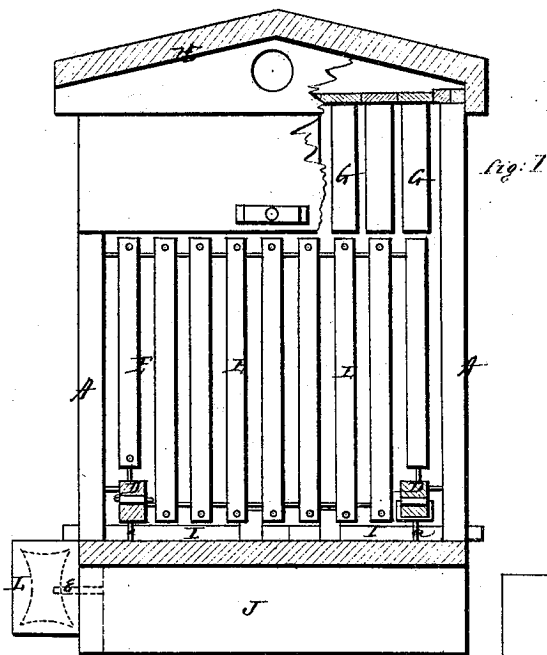


Fig. 1

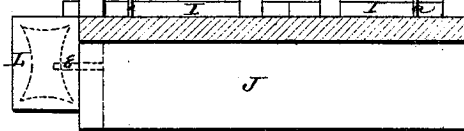


Fig. 2

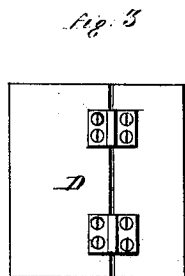
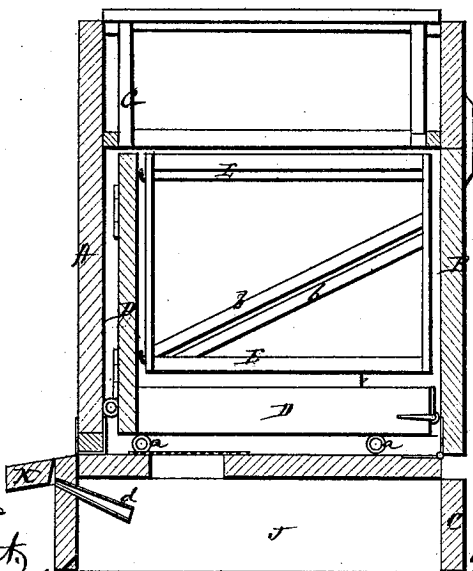


Fig. 3



Witnesses
Ed. Sweet
H. P. Mason

Inventor
Eros Davis
Alexander Mason
Attys.

E. Davis,

Bee Hive.

No. 107,012.

Patented, Sept. 6. 1870.

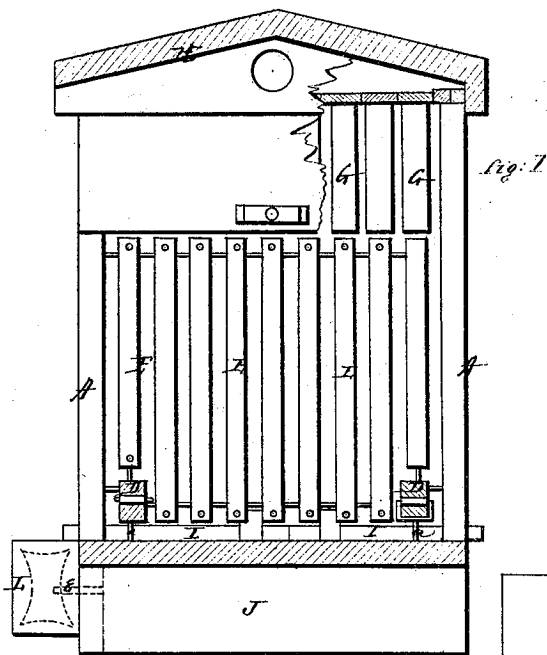


Fig. 1

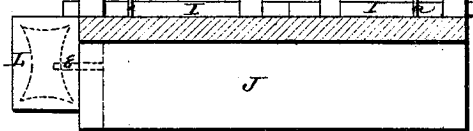


Fig. 2

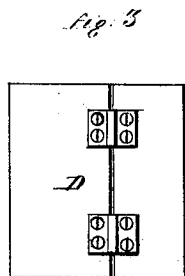
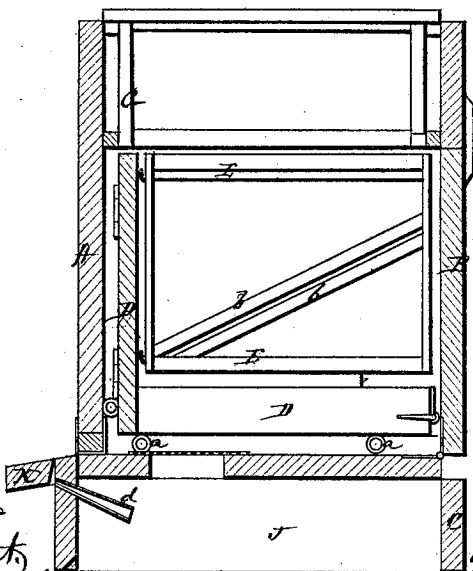


Fig. 3



Witnesses
Ed. Sweet
H. P. Mason

Inventor
Eros Davis
Alexander Mason
Attys.