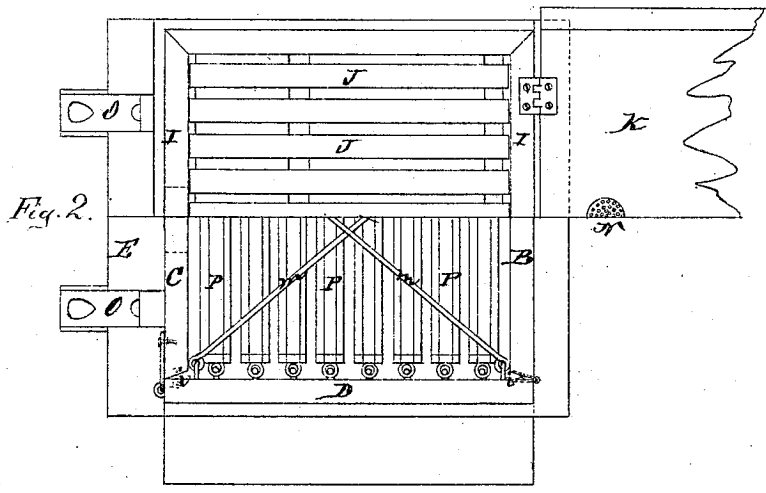
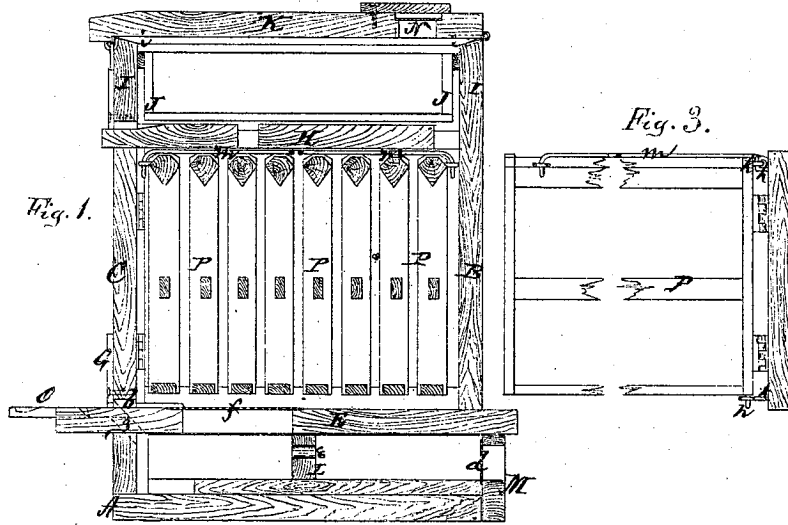


J. M. Hicks.

Bee Hive.

No. 107,047.

Patented Sept. 6. 1870.



Witnesses:

Chas. Jacobs
J. V. White

Inventor:

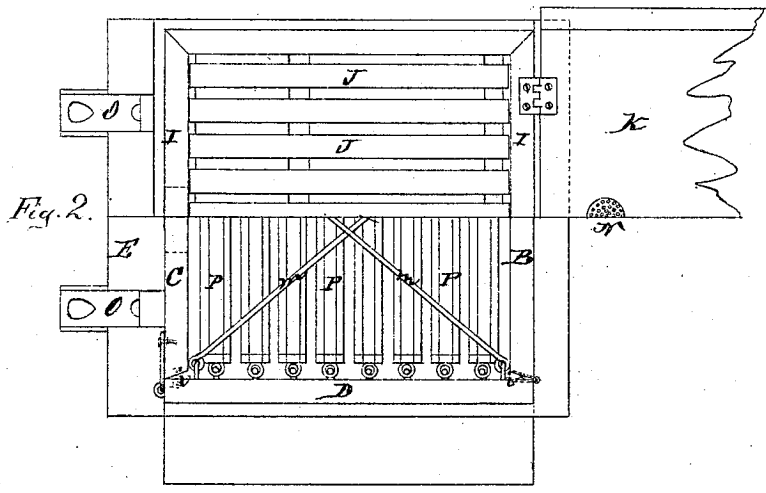
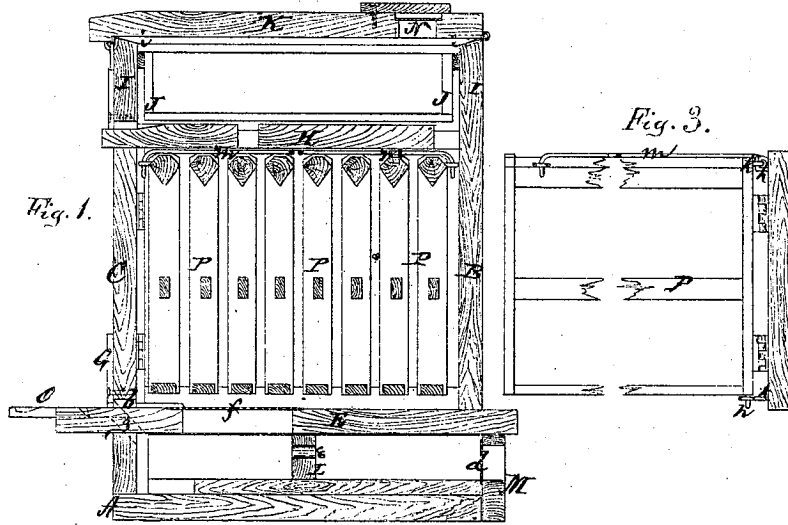
J. M. Hicks.
Per
W. Alexander
Atty.

J. M. Hicks.

Bee Hive.

No. 107,047.

Patented Sept. 6. 1870.



Witnesses:

Chas. Jacobs
J. V. White

Inventor:

J. M. Hicks.
Per
W. Alexander
Atty.