

S. A. J. B. & F. J. Short & J. Kyle,

Bee Hive

No. 112,388.

Patented Mar. 7. 1871.

Fig. 4.

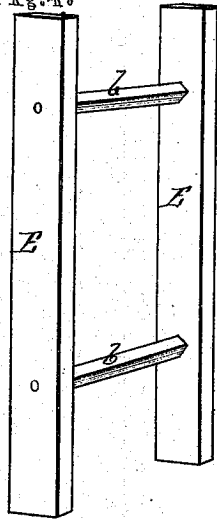


Fig. 1.

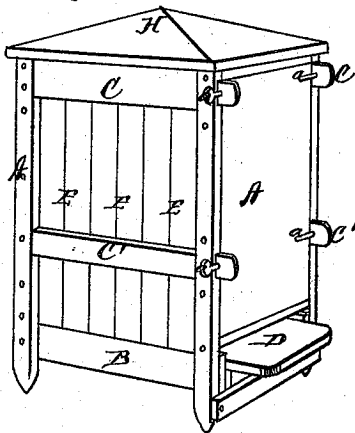


Fig. 3.

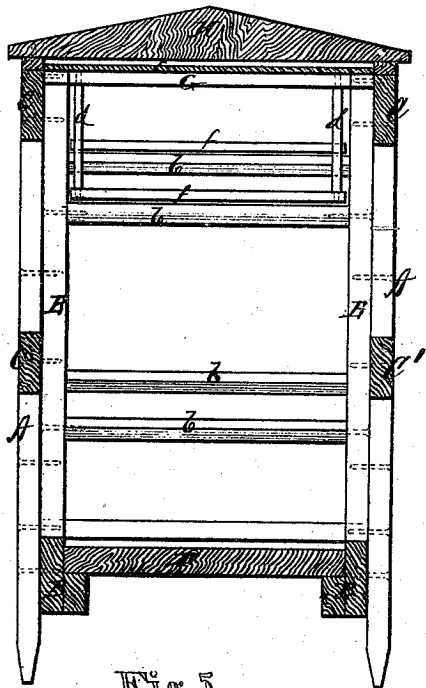


Fig. 5.

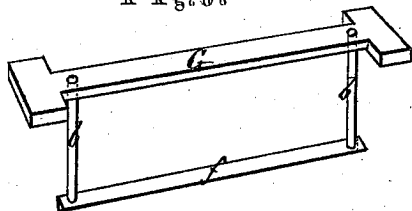
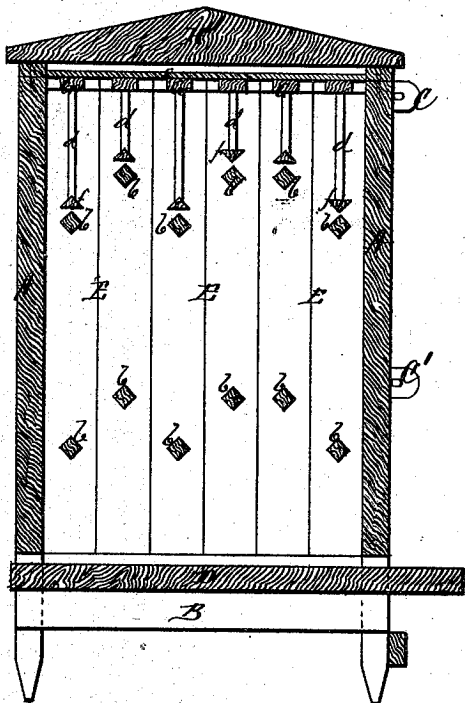


Fig. 2.



Witnesses:  
Chas. Hemeny,  
Vilho Anderson.

Inventors  
Sam'l A. Short,  
Frederick J. Short,  
John B. Short,  
Jasper Kyle,  
Chapman, Fosmire & Co.,  
Attys.

S. A. J. B. & P. J. Short & J. Kyle,

Bee Hive

No. 112,388.

Patented Mar. 7. 1871.

Fig. 4.

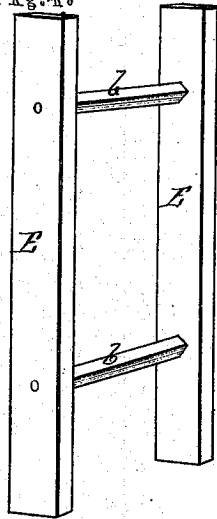


Fig. 1.

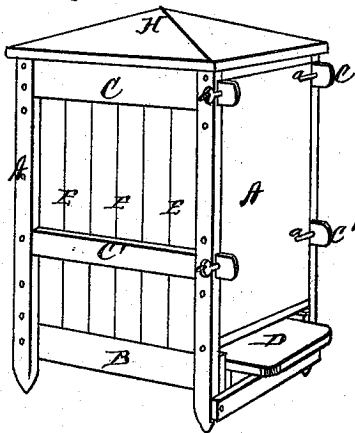


Fig. 3.

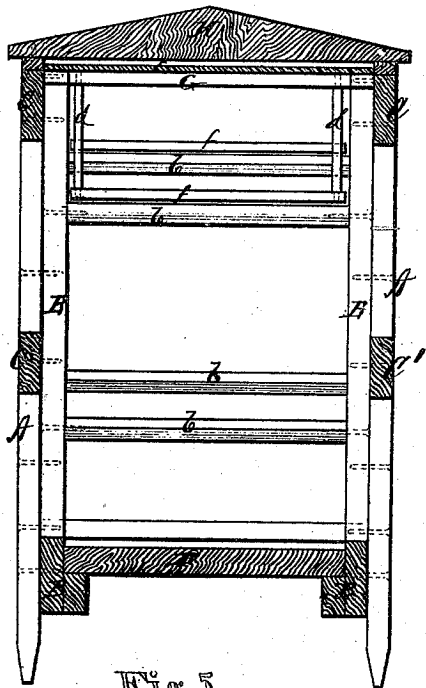
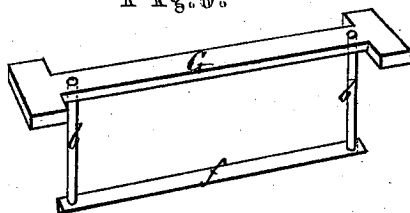
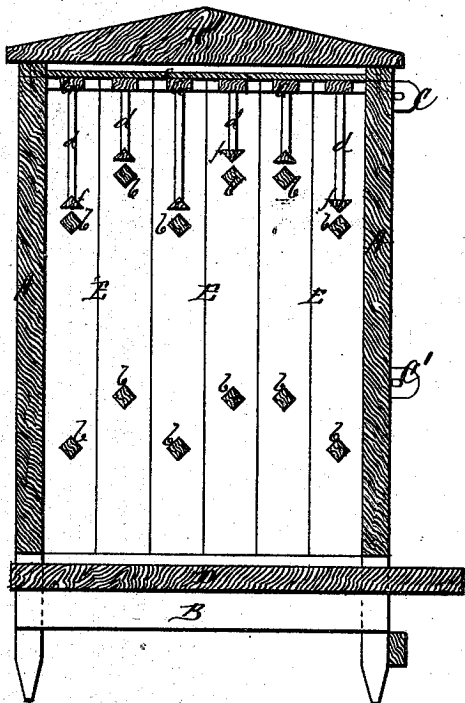


Fig. 5.

Fig. 2.



Witnesses:  
Chas. Hemeny,  
Vilho Anderson.

Inventors  
Sam'l A. Short,  
Frederick J. Short,  
John B. Short,  
Jasper Kyle,  
Chapman, Fosmire & Co.,  
Attys.