

D. M. GRIFFITH.

Improvement in Bee-Hives.

No. 115,843.

Patented June 13, 1871.

Fig. 1.

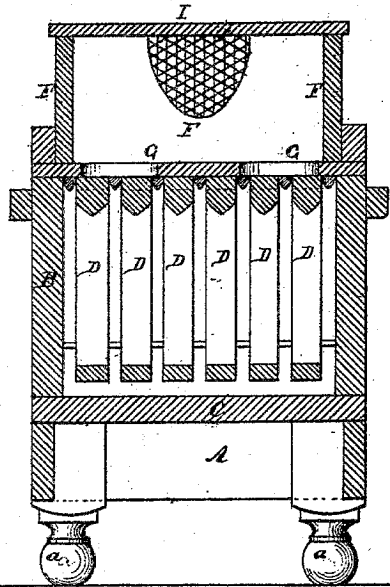


Fig. 2.

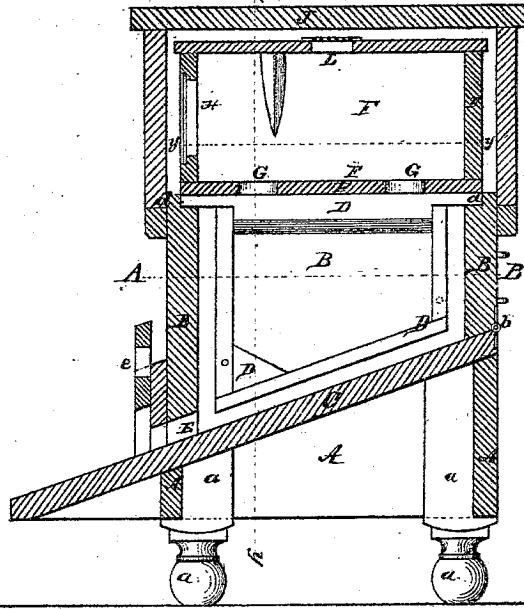


Fig. 3.

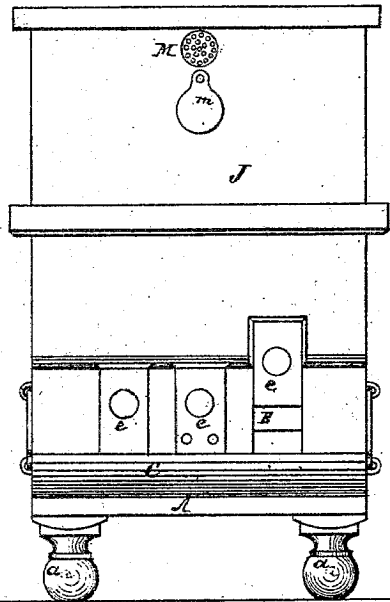
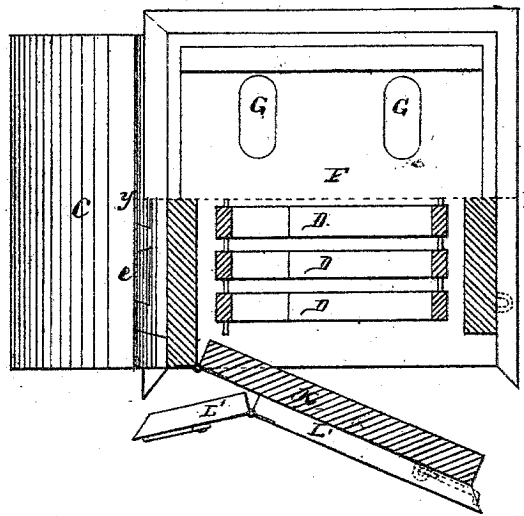


Fig. 4.



Witnesses:
James L. Norris.
M. H. Snickel.

Inventor:
D. M. Griffith
by Diederichsen & Co.
Attys.

D. M. GRIFFITH.

Improvement in Bee-Hives.

No. 115,843.

Patented June 13, 1871.

Fig. 1.

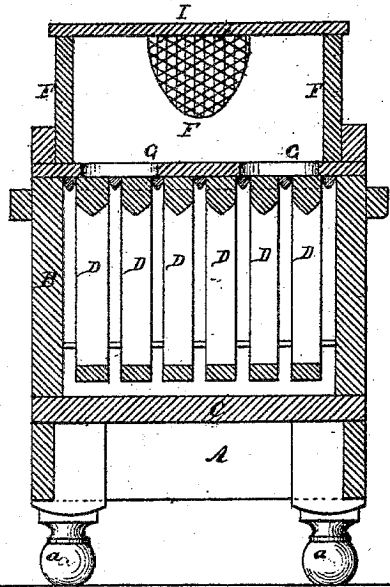


Fig. 2.

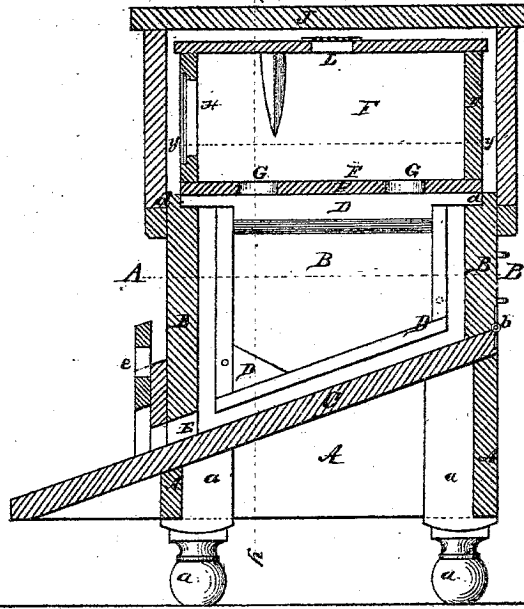


Fig. 3.

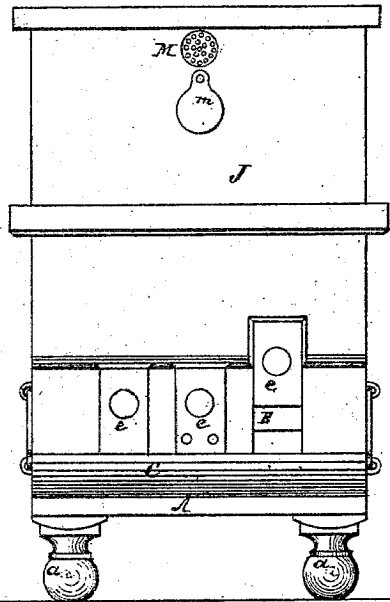
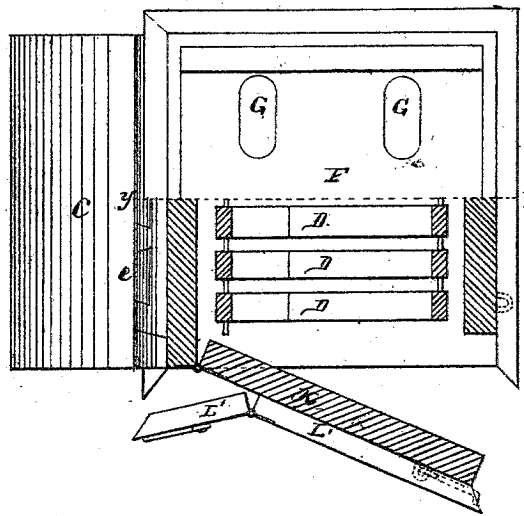


Fig. 4.



Witnesses:
James L. Norris.
M. H. Snickel.

Inventor:
D. M. Griffith
by Diederichsen & Co.
Attys.

the hive more thoroughly than can be readily done through the door *K*, it is only necessary to tilt the hive back upon its hinge *b* when the whole surface of the bottom *C* will be exposed and may be easily and perfectly cleansed from all foulness.

I am aware that the several parts which compose my hive are old, in themselves considered; therefore I do not claim them individually; but

What I claim as new, and desire to secure by Letters Patent, is—

The arrangement of the part *A*, inclined bot-

tom *C*, hinged body *B* provided with the openings *E* and doors *e*, the honey-cap *F* having the openings *G G* and *L*, the comb-frames *D*, and the removable cover *J* with opening *M* and plate *m*, all arranged and operating substantially as and for the purpose set forth.

To the above I have signed my name this 30th day of June, 1870.

DANIEL M. GRIFFITH.

Witnesses:

GARDEN HAMMER,
THOMAS G. WALKER.