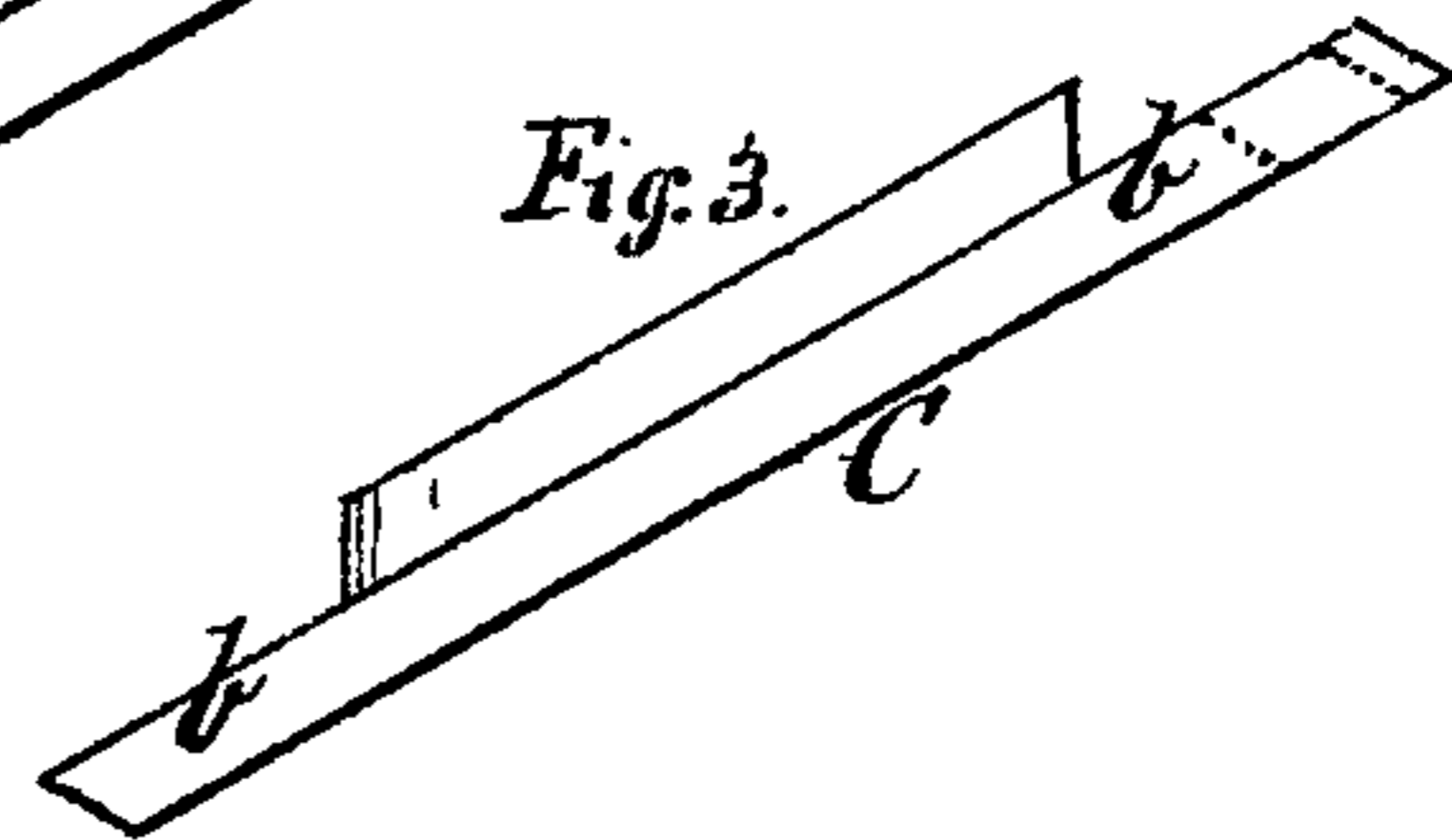
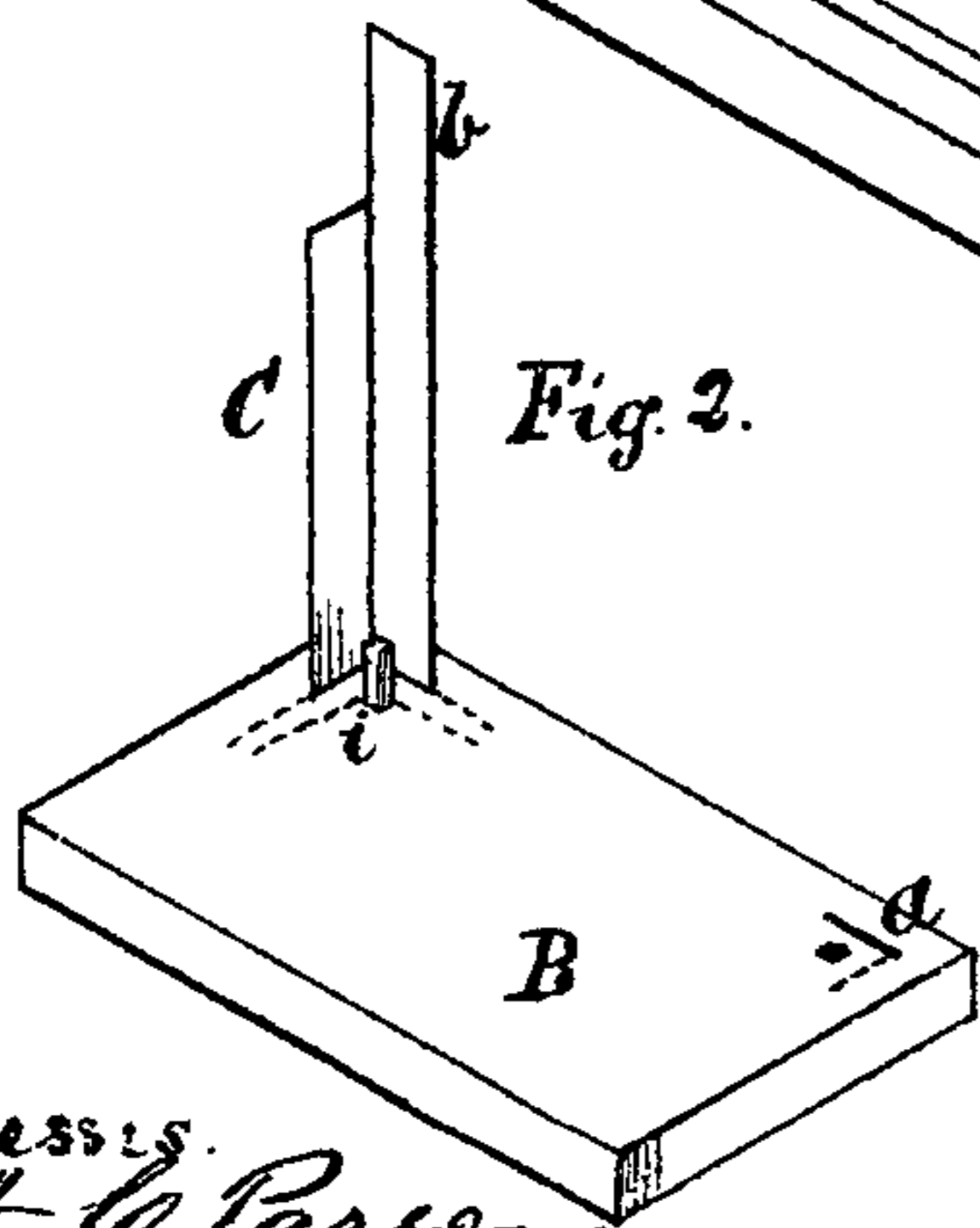
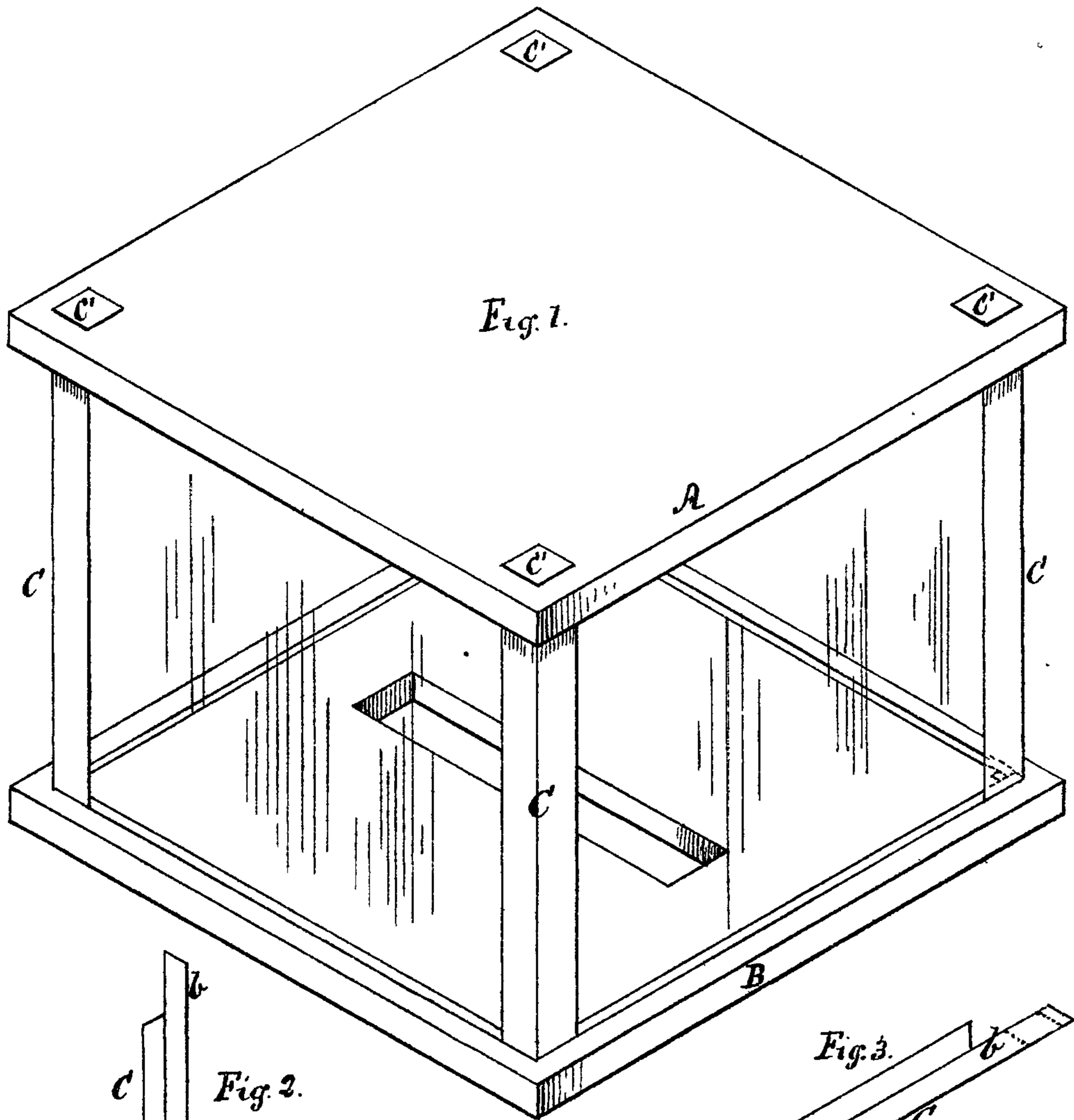


CHARLES R. ISHAM,

Improvement in Boxes for Bee Hives.

No. 123,104.

Patented Jan. 30, 1872.



Witnesses  
*A. C. Parsons*  
*J. H. Edwards*

*Charles R. Isham*  
Inventor  
*H. R. K. Peck* his Atty.

# UNITED STATES PATENT OFFICE.

CHARLES R. ISHAM, OF PEORIA, NEW YORK.

## IMPROVEMENT IN BEE-HIVES.

Specification forming part of Letters Patent No. 123,104, dated January 30, 1872.

*To all whom it may concern:*

Be it known that I, CHARLES R. ISHAM, of Peoria, in the county of Wyoming and State of New York, have invented a new and useful Improvement in Boxes especially adapted for Bee Hives; and I do hereby declare that the following is a full and exact description thereof, reference being had to the accompanying drawing and to the letters of reference marked thereon.

Figure 1 represents a perspective view of my improved box. Figs. 2 and 3 represent parts of the box detached.

My invention relates especially to the manner of constructing the corner pieces of the box, by which the wooden top and bottom of the box are connected and fastened, and in the combination of the corner pieces with a stud, by means of which the glass is secured and retained in place, as hereinafter set forth.

In the accompanying drawing, A and B denote the wooden top and bottom of the box, which have narrow mortises or slots formed through them near their corners, and through which the branches *b* of the corner pieces C are inserted. The corner pieces are made of thin metal strips, and bent longitudinally at right angles, as represented. Two of the corners of the pieces C are cut away, leaving the extended branches *b*, which are inserted through the slots formed in the wooden bottom and top of the box. The branches *b* are of a proper length to pass through the wood

and to be bent down and clinched, as indicated at C' in Fig. 1 and by the dotted lines in Fig. 3. Within the angles of the inserted corner pieces C short studs *i* are inserted near each corner of the top and bottom pieces of the box, and shown in Fig. 2. The distance between each stud and its angular corner piece C is just sufficient to admit the thickness of the glass which is used to inclose the four sides of the box; and the glass is held in place by means of the studs *i* and the pieces C.

In putting the parts of the box together the corner pieces C will be first inserted in the bottom B and clinched, and then the four pieces of glass will be inserted to cover the sides, and finally the top A will be applied by inserting the upper branches *b* through the slots *a* and clinched, as above described.

Having fully described my invention, and the manner of constructing the same, I claim and desire to secure by Letters Patent

The combination of the top and bottom of the box with the angular metal corner support C, when the latter is provided with two extended branches, *b b*, to serve as a fastening, in the manner substantially as described.

In testimony whereof I have hereunto set my hand this 27th day of November, A. D. 1871.

CHARLES R. ISHAM.

Witnesses:

H. P. K. PECK,  
H. N. ALLEN.