

W. KENYON.

Improvement in Constructing Honey Comb Frames for Bee Hives.

No. 123,483.

Patented Feb. 6, 1872.

Fig. 1.

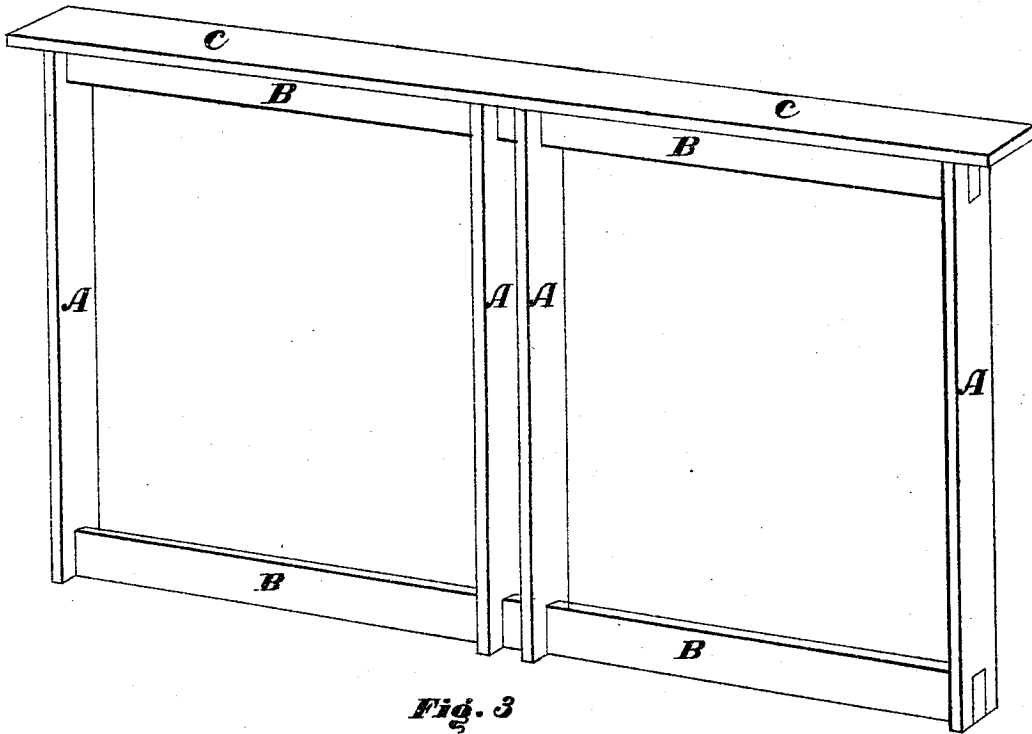


Fig. 3



Fig. 2.

Witnesses.
W. T. Brush.
O. McGregg.

Inventor.
Wiley Kenyon.

W. KENYON.

Improvement in Constructing Honey Comb Frames for Bee Hives.

No. 123,483.

Patented Feb. 6, 1872.

Fig. 1.

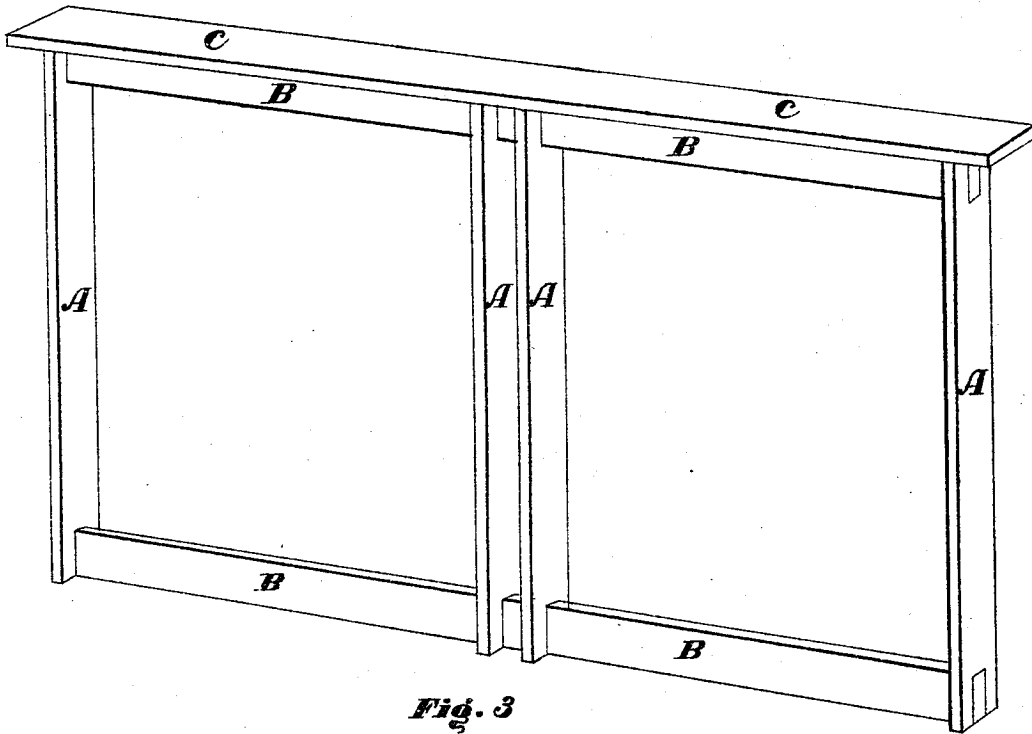


Fig. 3



Fig. 2.

Witnesses.
W. T. Brush.
O. McGregg.

Inventor.
Wiley Kenyon.