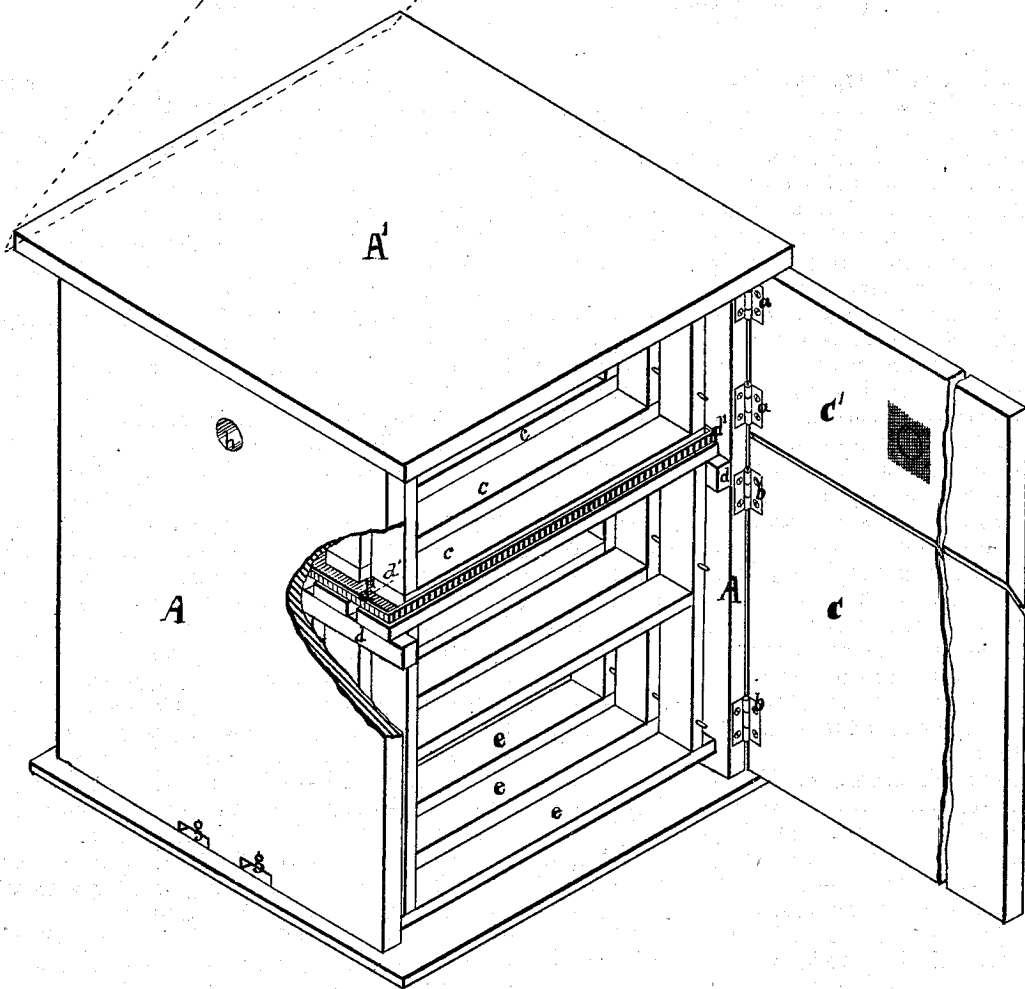


CHARLES S. NEWSOM.

No. 125,837.

Bee Hives.

Patented April 16, 1872.



Witnesses.

*A. Gardner*  
*J. D. Patten*

Inventor.

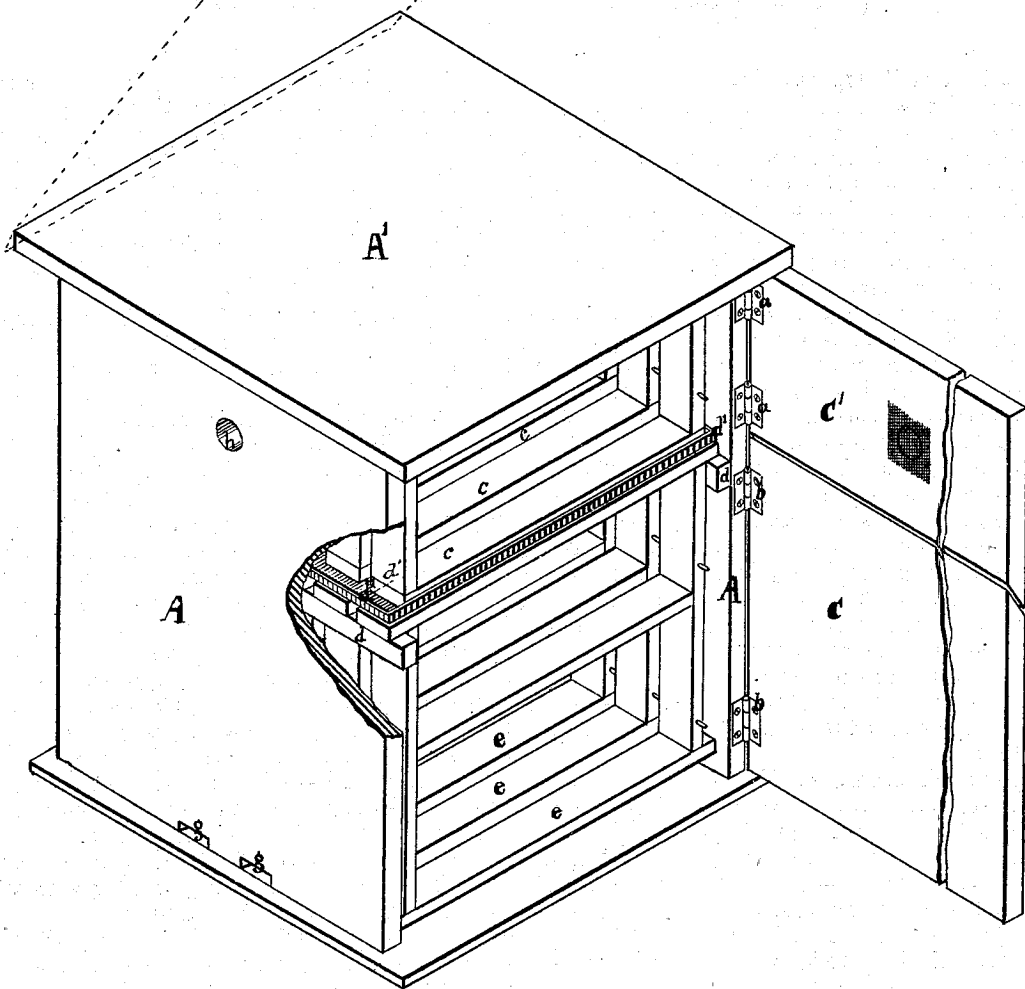
*Charles S. Newsom*  
*per Edw. W. Dorn*

CHARLES S. NEWSOM.

No. 125,837.

Bee Hives.

Patented April 16, 1872.



Witnesses.

*A. Gardner*  
*J. D. Patten*

Inventor.

*Charles S. Newsom*  
*per Edw. W. Dorn*

and do not open the lower door, but leave the bees in the dark, and then I take out the honey, as above set forth. I can thus readily control the bees, and at any time get what honey I wish to detach.

Thus it will be seen that I construct a very cheap, efficient, and easily-operated bee-hive, in which the keeper has complete control over his bees, and need not be stung or disturb the young brood of bees in the act of detaching honey.

Having thus described my invention, what

I claim as new, and desire to secure by Letters Patent, is—

The two sets or rows of frames *c c c* and *e e e*, in combination with the doors *C* and *C'*, hinged top *A'*, and cut-off *d'*, when constructed and operating substantially as and for the purposes set forth:

CHARLES S. NEWSOM.

Attest:

LEWIS NEWSOM,  
J. L. NEWSOM.