

P. & A. HURST.

Improvement in Bee-Hives.

No. 128,883.

Patented July 9, 1872.

Fig. 1.

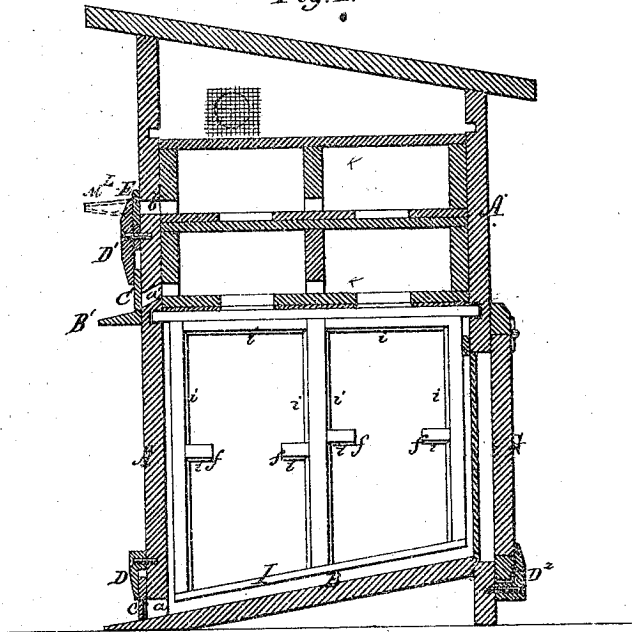
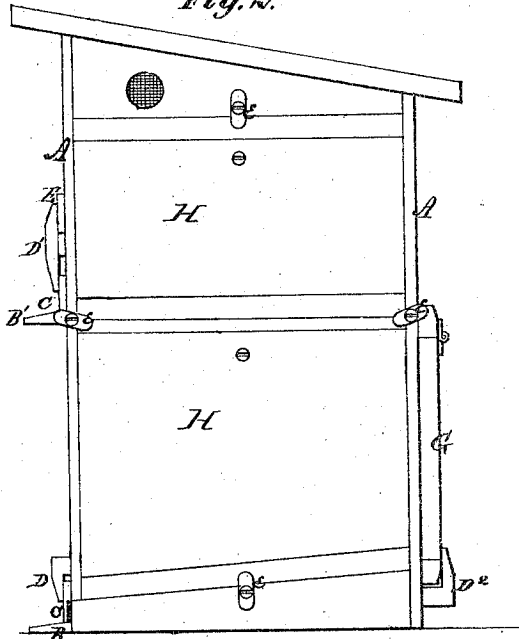
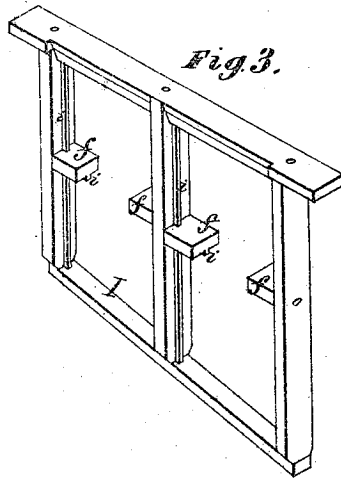


Fig. 2.



Witnesses
 John A. Ellis.
 Wm. J. Ellis

Fig. 3.



Inventors
 Peter Hurst & Amos Hurst
 Per.
 J. H. Alexander
 Atty.

P. & A. HURST.
Improvement in Bee-Hives.

No. 128,883.

Patented July 9, 1872.

Fig. 1.

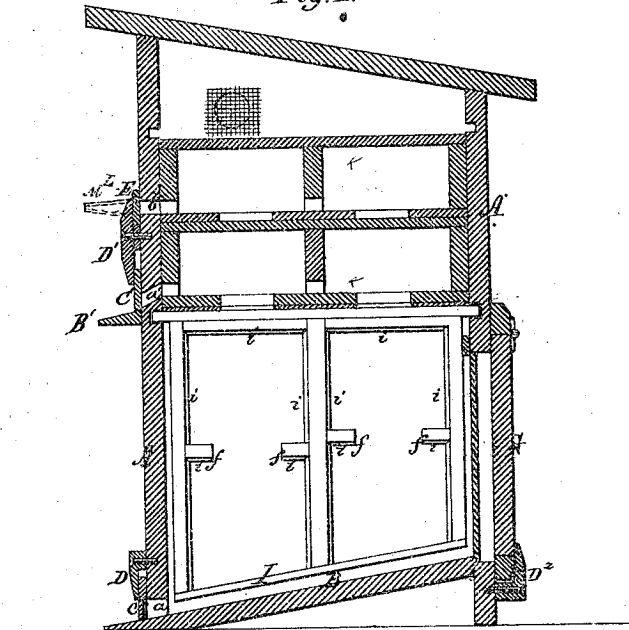
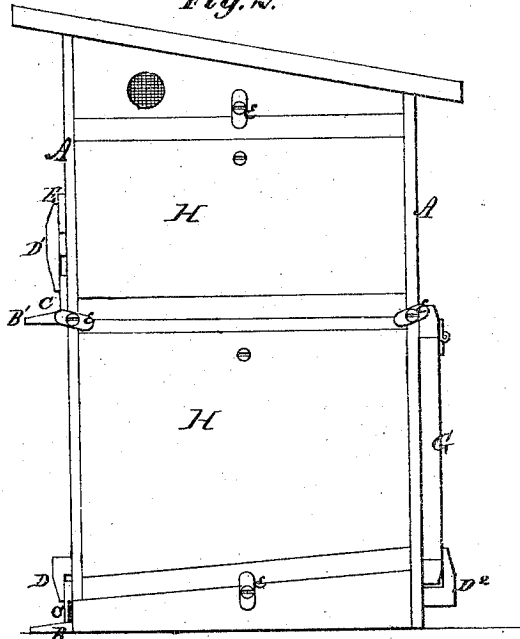
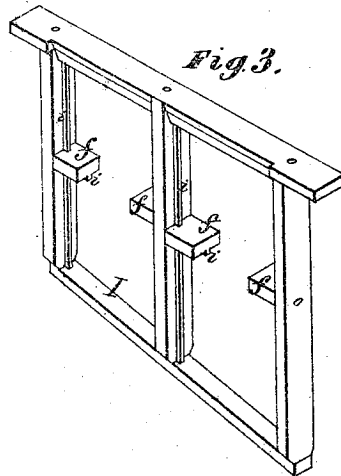


Fig. 2.



Witnesses
John A. Ellis.
Wm. J. Ellis

Fig. 3.



Inventors
Peter Hurst & Amos Hurst
Per.
J. H. Alexander
Atty.

P. & A. HURST.
Improvement in Bee-Hives.

No. 128,883.

Patented July 9, 1872.

Fig. 1.

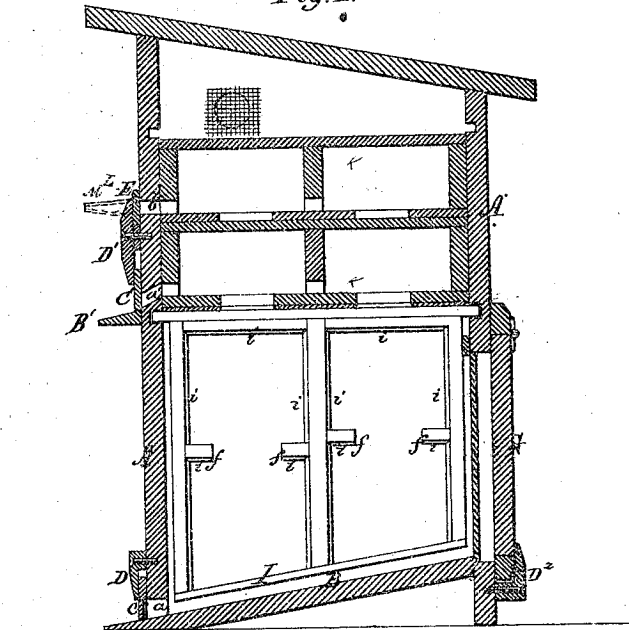
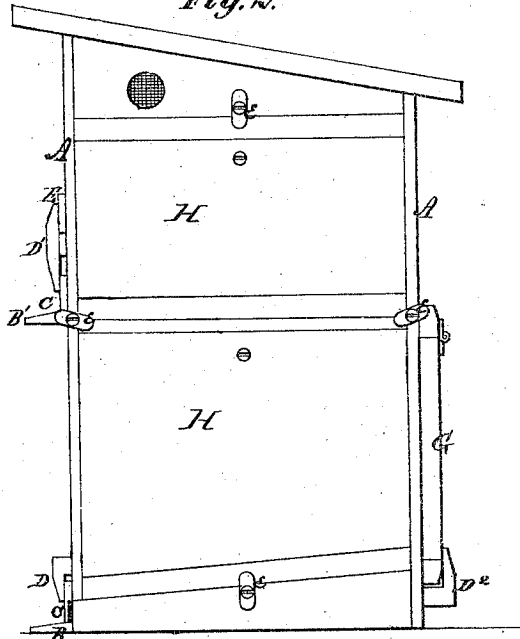
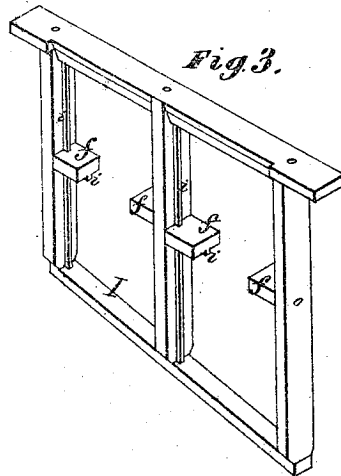


Fig. 2.



Witnesses
 John A. Ellis.
 Wm. J. Ellis

Fig. 3.



Inventors
 Peter Hurst & Amos Hurst
 Per.
 J. H. Alexander
 Atty.

The removable board L provided with tube M, and used in combination with a bee-passage, *b*, opposite the upper tier of boxes in the honey-chamber of a bee-hive having two or more of such tiers, substantially as and for the purposes herein set forth.

In testimony that we claim the foregoing

as our own we affix our signatures in presence of two witnesses.

PETER HURST
AMOS HURST.

Witnesses:

M. C. RORTCH,
H. M. WILSON.