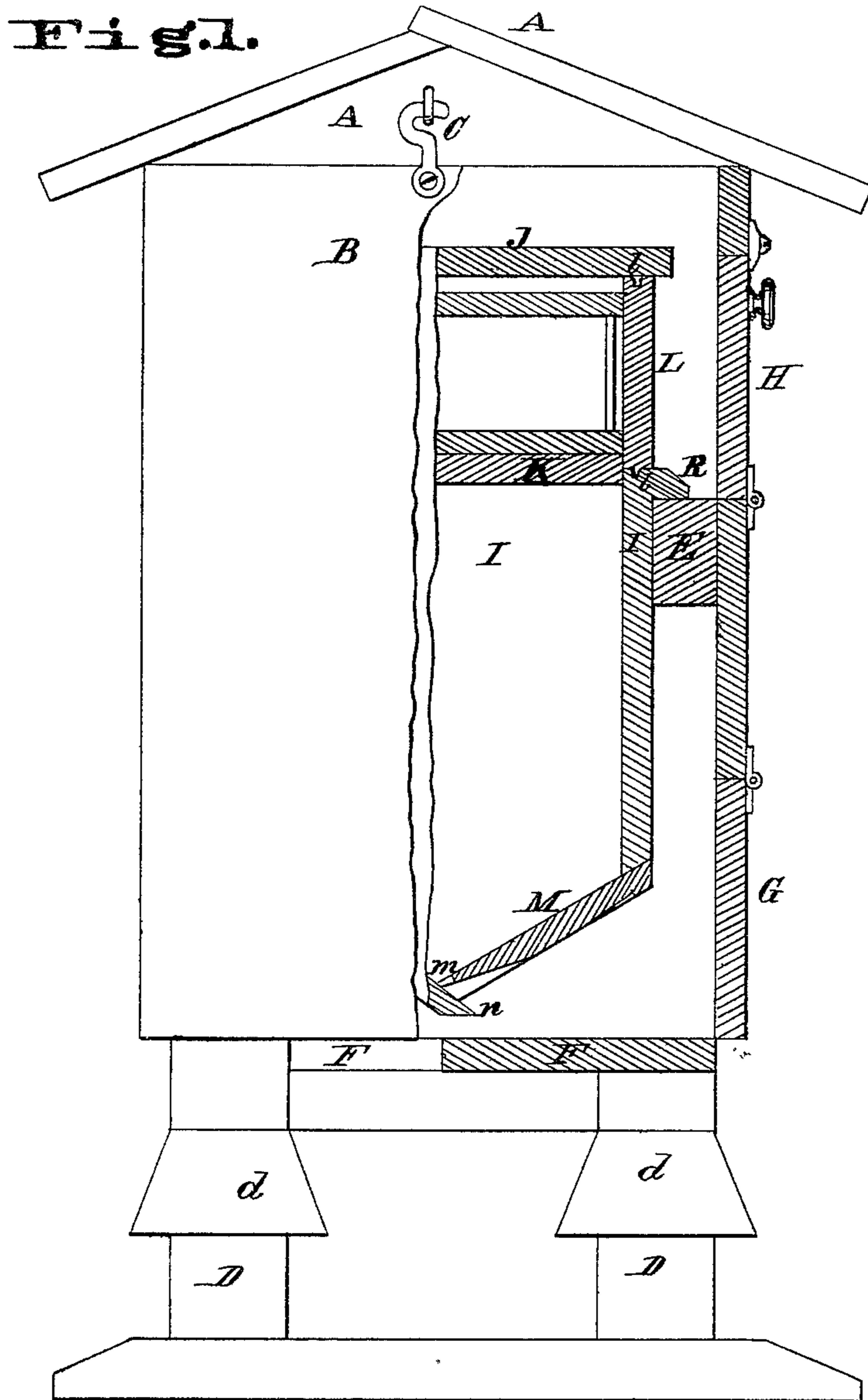


P. BROWN.

Improvement in Bee-Hives.

No. 131,247.

Patented Sep. 10, 1872.



ATTEST,
Geo L. Ewin
Walter Allen

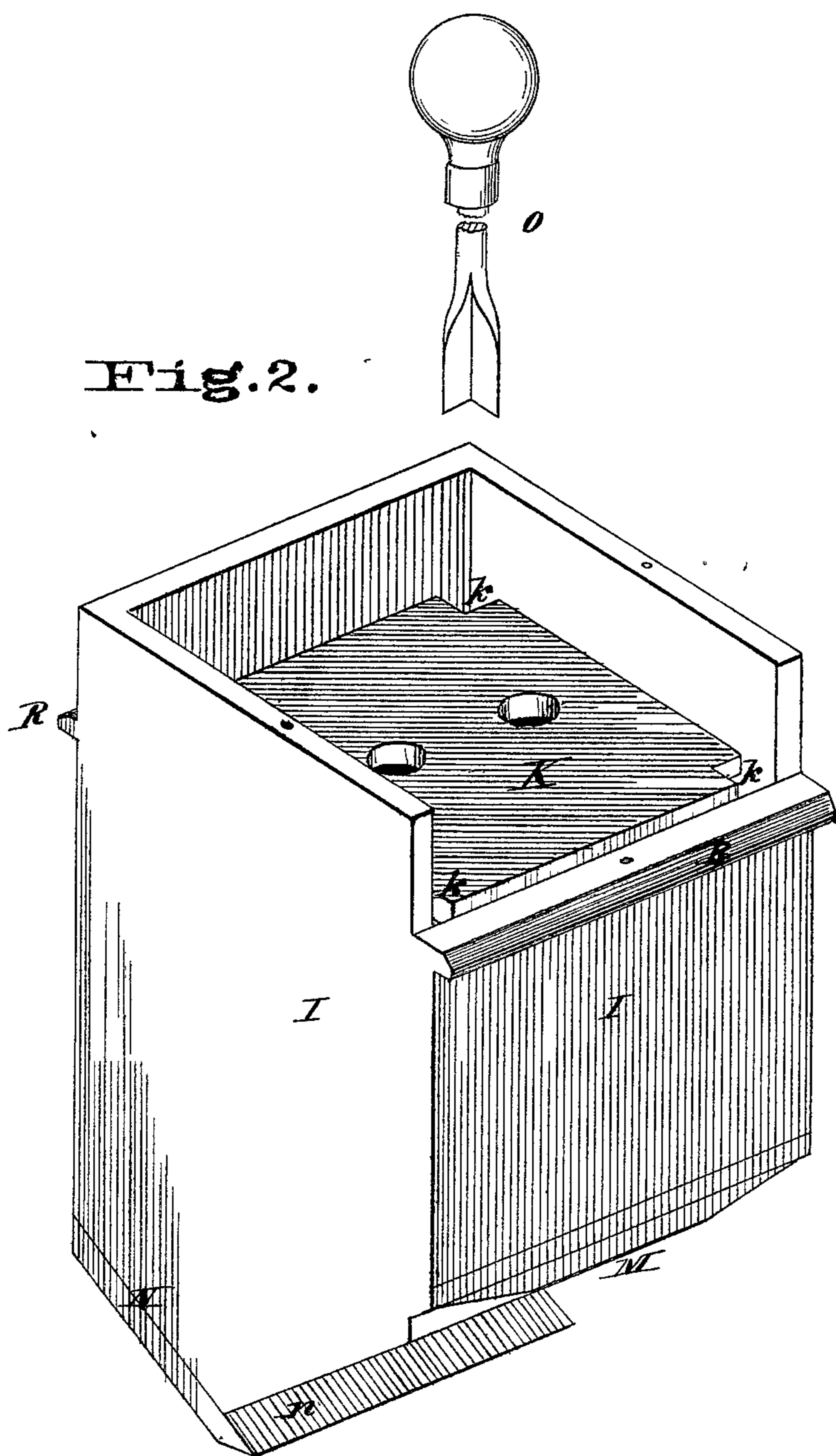
INVENTOR,
Peter Brown
By Wright, Bond, Atty.

P. BROWN.

Improvement in Bee-Hives.

No. 131,247.

Patented Sep. 10, 1872.



ATTEST,
Geo L. Ewin
Walter Allen

INVENTOR
Peter Brown
By Wright, Bros, Atty

UNITED STATES PATENT OFFICE.

PETER BROWN, OF TAYLORVILLE, ILLINOIS.

IMPROVEMENT IN BEE-HIVES.

Specification forming part of Letters Patent No. 131,247, dated September 10, 1872.

Specification describing certain Improvements in Bee-Hives, invented by PETER BROWN, of Taylorville, in the county of Christian and State of Illinois.

My invention relates to certain improvements in bee-hives, hereinafter more fully set forth.

Figure 1 shows the bee-house, part in transverse section and part in end elevation, with the front half of the hive in section. Fig. 2 is a perspective view of the hive with the cap, front shutter, and honey boxes removed.

A is the roof of the bee-house made removable from the body B and connected thereto by hooks C. D are legs, to which are attached inverted cups or flares *d*, to prevent the ascent of mice, &c. E are longitudinal interior cleats upon the front and back walls of the bee-house to support the hives, of which there may be any desired number in the house. F F' are, respectively, the movable and fixed boards forming the bottom of the bee house. G is a shutter which is closed (as shown) during winter, but raised and folded back against the front of the house in summer. H is a shutter by which access is had to the honey boxes. The gum or hive has perpendicular sides I and horizontal top J, and diaphragm or honey-chamber floor K. The bottom consists of two inclined portions M N, the front portion M of which is made to slide to regulate the size of the bee-aperture or passage. *m* is a small notch in the slide for ventilation when the lower edge of M is in contact with N. *n* is the lower edge of N, which projects outside the edge of M and constitutes the lighting-board for the bees. L is the front shutter of the honey-chamber, held in place by dowels *l* passing into the side I and from the lid J. The floor or diaphragm K divides the breeding-chamber beneath from the honey-chamber above, having bee-holes connecting with the honey-boxes, as usual. *k* are orifices at the four corners of the floor K to allow the introduction of an instrument (as shown above at *o*) to scrape the corners of the breeding-chamber clear of the eggs, &c., of the bee moth. The ends only of the instrument *o* are shown, the shank being broken away. The length of the instrument is sufficient to reach from the top to the bottom

of the hive. R are cleats upon the front and back of the hive, by which it is supported upon the cleats E of the bee house. When the hive is in position in the bee-house there is a two-inch space between their front and rear walls, and in winter time the doors and shutters are all closed, and straw may with advantage be packed between the hive and the box.

To change the apparatus for the summer, raise the lower shutter G and fold it back close to the front of the bee house; take out the front floor board F, raise the sliding door M half an inch, open the upper shutter H, raise the front of the lid J on the bee-gum or hive, and remove the shutter L from the front of the honey-boxes.

To clear the hive from the eggs, &c., of bee-moths, lift the top A off the bee house and top J of the hive, and take out the honey-boxes; then, with the instrument or other suitable tool, clear out the corners of the bee-chamber with a downward movement of the instrument, and remove from the hive all that do not drop out. If preferred, the vitality of the eggs, &c., may be destroyed by pouring strong brine down the holes *k*.

I have found from long experience in the management of bees that the eggs of the bee-moth are always deposited in the corners of the hive, and by removing them from these positions I have preserved the bees from their ravages.

I claim herein as new and of my invention—

1. The bee-house A B, provided with shutters H G and cleats E, in combination with the hives J I having cleats R R, shutter L, and inclined sliding bottom M, as and for the purposes set forth.

2. The floor K provided with orifices *k k k k* at its corners, as and for the purpose set forth.

3. The floor K, provided with the orifices *k k k k* at its corners, in combination with the sliding board M, as and for the purpose set forth.

PETER BROWN.

Witnesses:

A. G. BARNES,
J. C. MCBRIDE.