

W. R. CLARK.

Bee-Hives.

No. 133,355.

Patented Nov. 26, 1872.

Fig. 1.

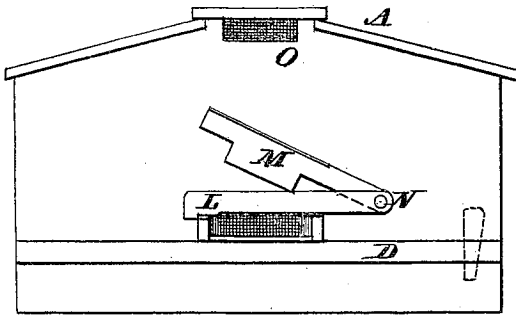


Fig. 2.

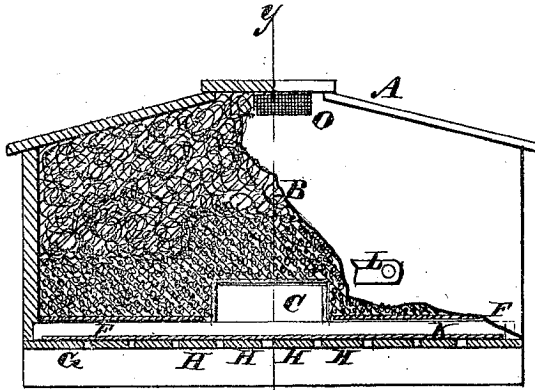


Fig. 3.

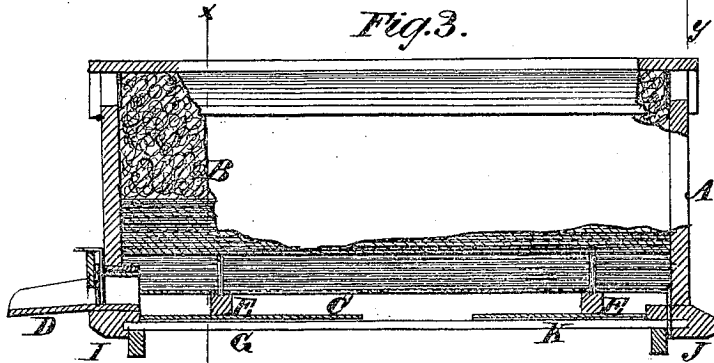


Fig. 4.

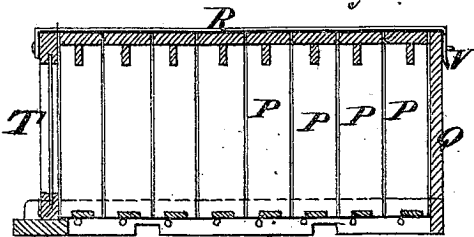
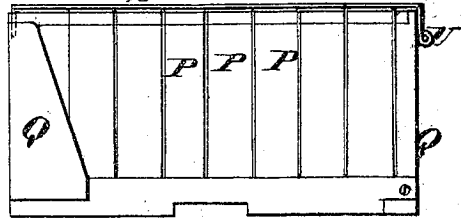


Fig. 5.



Witnesses:

John Pecker.  
C. Scagwick

Inventor:

W. R. Clark  
Munn & Co

PER

Attorneys.

W. R. CLARK.

Bee-Hives.

No. 133,355.

Patented Nov. 26, 1872.

Fig. 1.

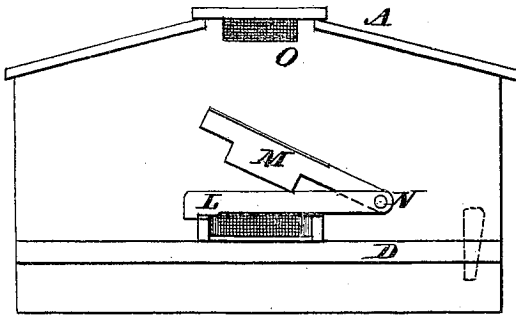


Fig. 2.

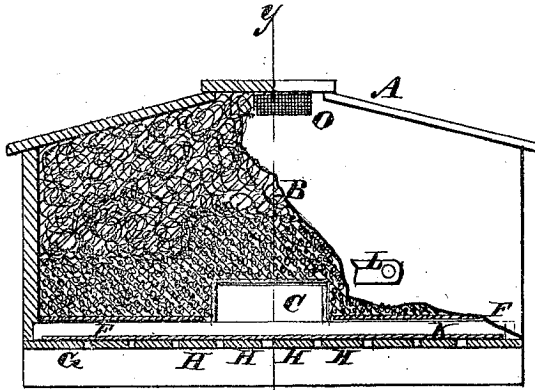


Fig. 3.

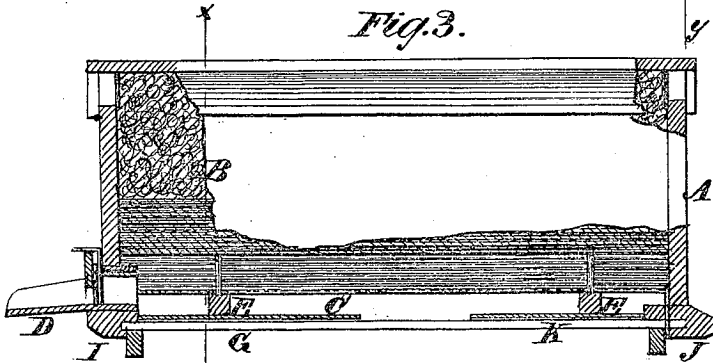


Fig. 4.

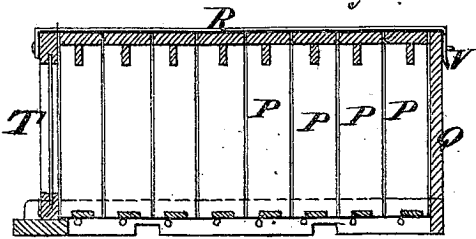
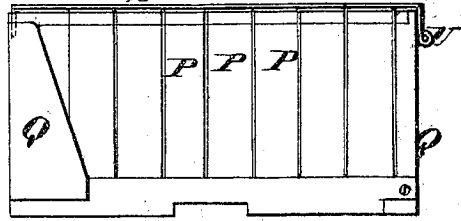


Fig. 5.



Witnesses:

John Pecker.  
C. Scagwick

Inventor:

W. R. Clark

PER

Munn & Co  
Attorneys.

ventilation may be secured at the top of the brood-chamber without admission of air at the bottom.

3. The piece I, arranged to form both the alighting-board and clamp of the bottom G, as specified.

4. A series of independent and detachable comb-frames, in combination with a holding-frame provided with hinged sides, and a fastening device or clamp therefor, substantially as specified.

5. The combination of the ventilator I and shutter M, as described, whereby the latter may be adjusted to regulate the amount of air admitted to the hive without allowing escape of the bees.

WILLIAM R. CLARK.

Witnesses:

S. S. MCKENNEY,  
B. J. BROTHERTON.