

S. CUPLIN.
Bee-Feeders.

No. 149,578.

Patented April 14, 1874.

Fig. 1.

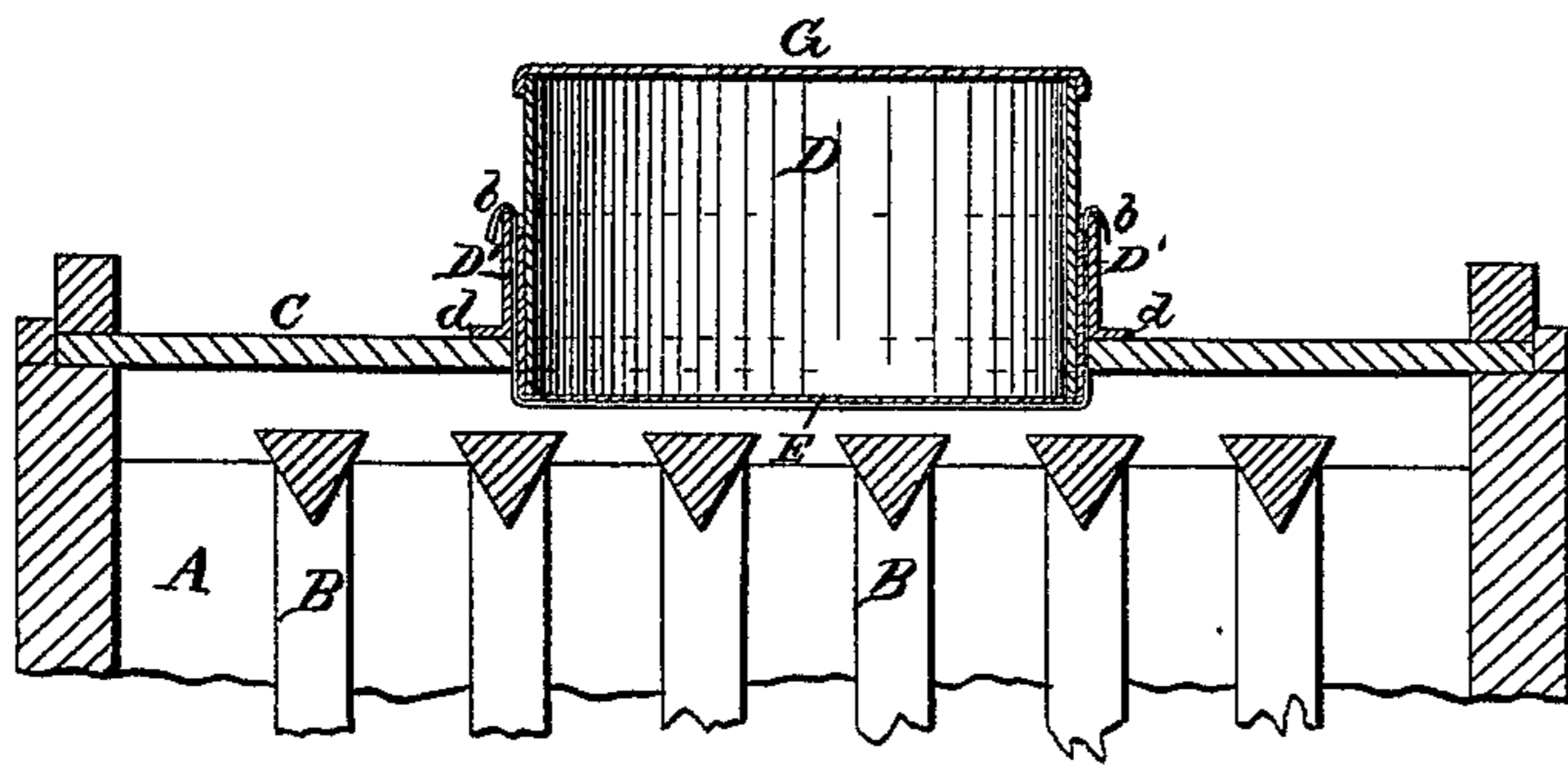


Fig. 2.

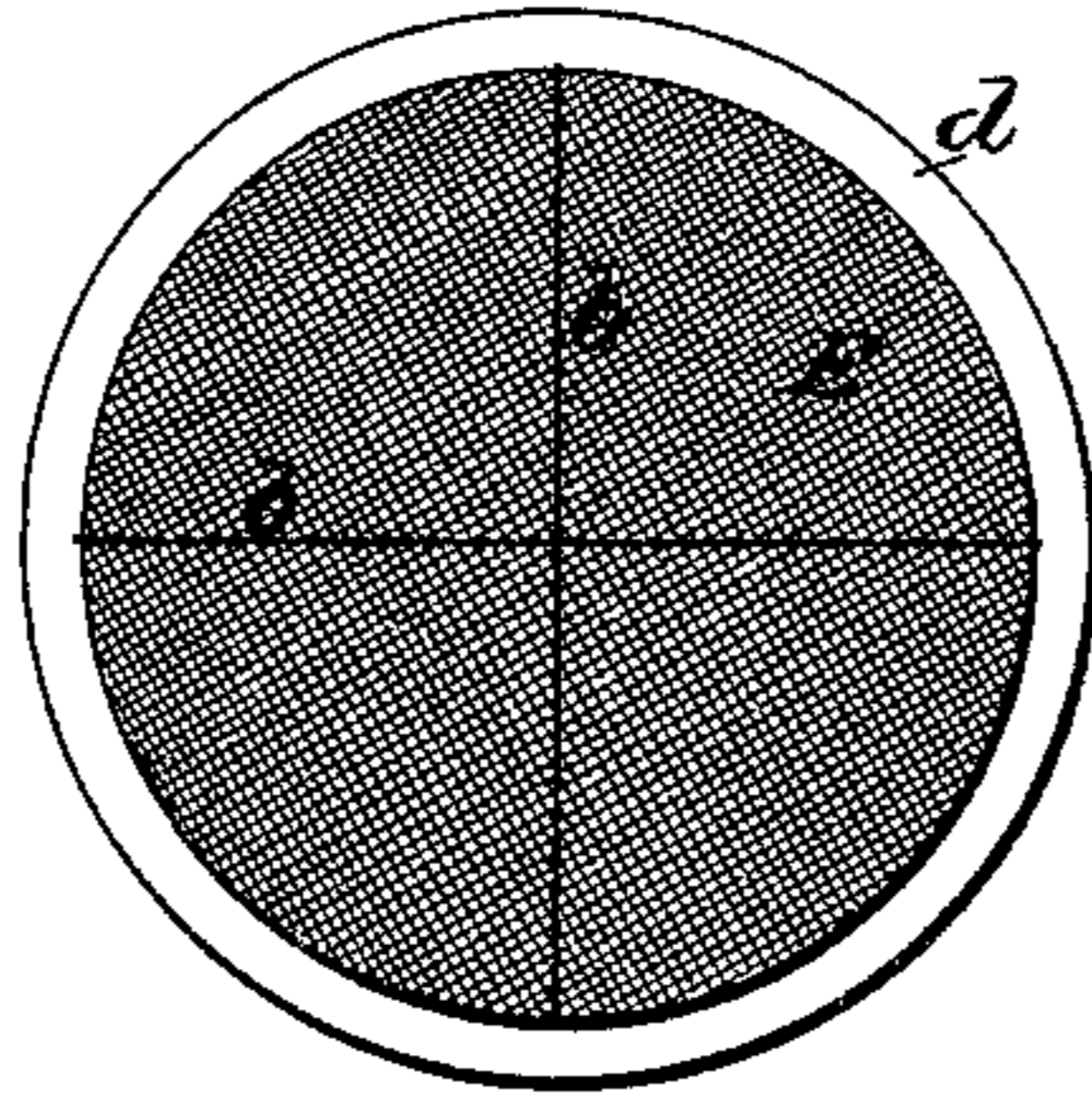
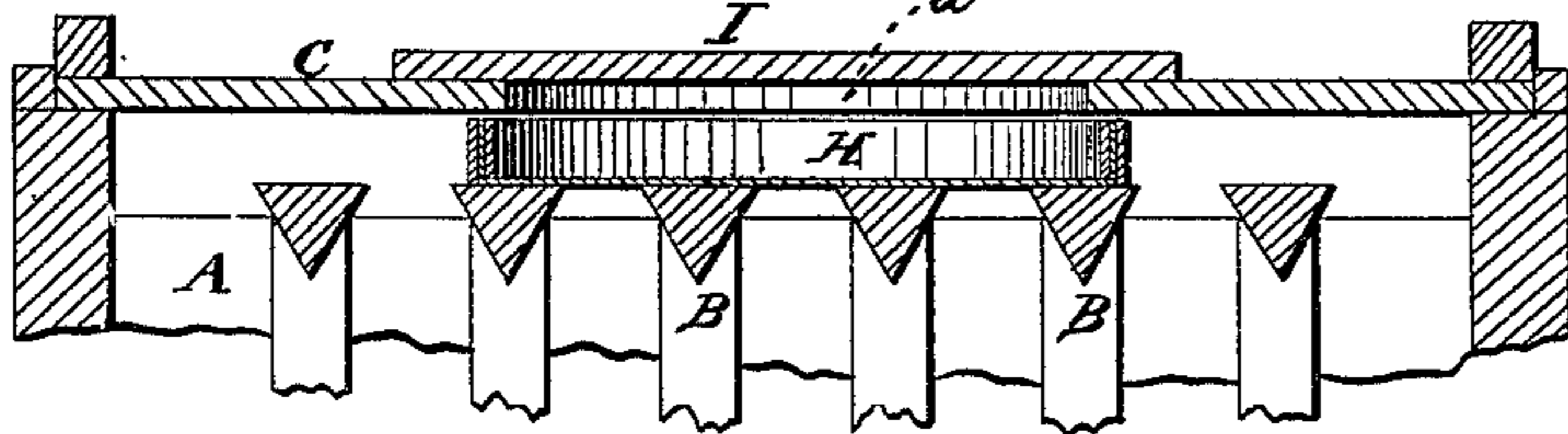


Fig. 3.



Witnesses:

Henry N. Miller
W. J. Du Hamel

Inventor:

Samuel Cuplin.
Per. H. S. Abbott.
Attorney.

UNITED STATES PATENT OFFICE.

SAMUEL CUPLIN, OF IOWA FALLS, IOWA.

IMPROVEMENT IN BEE-FEEDERS.

Specification forming part of Letters Patent No. 149,578, dated April 14, 1874; application filed February 12, 1874.

To all whom it may concern:

Be it known that I, SAMUEL CUPLIN, of Iowa Falls, county of Hardin and State of Iowa, have invented certain new and useful Improvements in Device for Feeding Bees, of which the following is a specification:

The nature of my invention consists in the construction and arrangement of a device for feeding bees within the hive, as will be hereinafter more fully set forth.

In order to enable others skilled in the art to which my invention appertains to make and use the same, I will now proceed to describe its construction and operation, referring to the annexed drawing, in which—

Figure 1 is a vertical section of the upper part of the brood chamber of a bee-hive and of my bee feeder in position thereon. Fig. 2 is a bottom view of the bee-feeder, and Fig. 3 shows a modification of the feeder.

A represents the upper portion of the brood-chamber of a bee-hive, with the top cap removed. B B are the comb-frames, suspended in any suitable manner so as to leave passages between their top bars for the bees to travel up and down. C represents the honey-board, covering the brood-chamber A, and elevated a suitable distance above the top of the comb-frames. In the honey board C is a central aperture, *a*, for the reception of the bee-feeder, which is constructed in the following manner: D represents a cylindrical band, made of metal or other suitable material, and provided with a cloth bottom, E, and a solid cover, G. The cloth E is placed over the end of the cylinder D, and extends up the sides thereof, with wires *b b* crossing each other on the outside of the cloth, and the ends of said wires also extending up the sides of the cylinders. A band, D', is then passed from the lower end around the exterior of the cylinder, confining the cloth E and the wires *b b* between it and

the cylinder. Around the lower end of the band D' is an outwardly-projecting circumferential flange, *d*, which, when the lower end of the cylinder D is inserted in the aperture *a* of the honey board, rests upon the top of said honey-board and supports the feeder in position. By sliding the band D' up or down the feeder is adjusted at any height desired from the comb frames, and when so adjusted the ends of the wires *b b* are bent over the upper edge of the band D' to prevent it from slipping. The wires *b b* also keep the cloth from sagging when the feed is put in, and the cover G keeps out all dirt and insects from the feed.

By this construction the cloth can be easily removed when gummed or soiled and another substituted.

Though I prefer making the feeder of round form, it may be made in any form desired.

In some cases I may use a shallow feeder, H, as shown in Fig. 3. This feeder is constructed in the same manner of an interior and an exterior band, with the cloth held between them; but in this case the cover, as well as the wires, is dispensed with, and the feeder rests upon the top of the comb frames. A board, I, is then placed over the aperture in the honey-board.

Having thus fully described my invention, what I claim as new, and desire to secure by Letters Patent, is—

A device for feeding bees consisting of the cylinder D, cloth E, wires *b b*, and exterior band D', provided with flange *d*, substantially as shown and described.

In testimony that I claim the foregoing as my invention I hereunto affix my signature.

SAMUEL CUPLIN.

Witnesses:

G. W. STRIKER,
S. M. WEAVER.