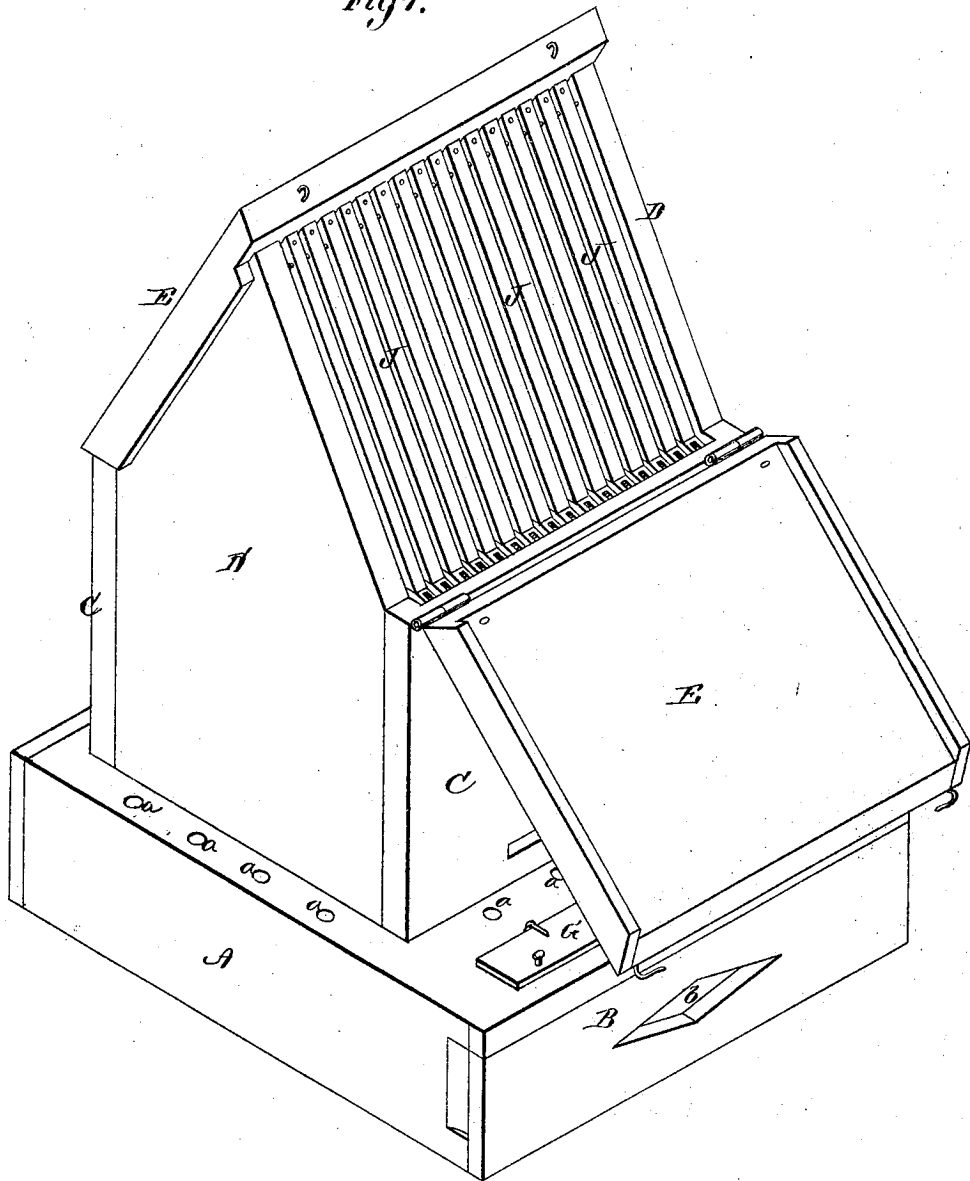


J. G. GWALTNEY.
Bee-Hives.

No. 152,366.

Patented June 23, 1874.

Fig 1.



WITNESSES.

J. P. Theodore Lang,
L. L. Ewert.

INVENTOR

James G. Gwaltney
Alexander M. Atter
By

Attorneys.

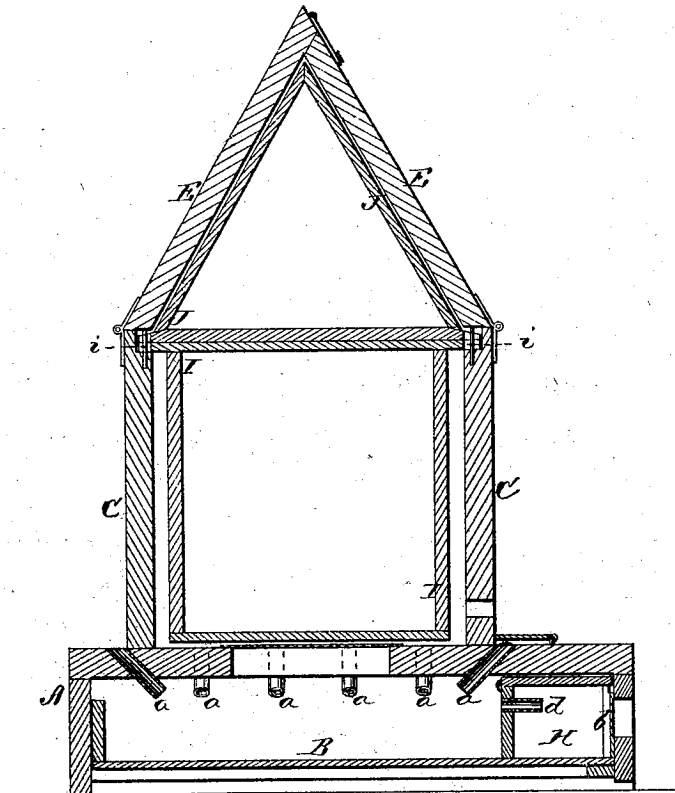
J. G. GWALTNEY.
Bee-Hives.

No. 152,366.

Patented June 23, 1874.

Fig 2.

Fig 3.



WITNESSES.

J. P. Theodore Lang.
C. L. Ewert.

INVENTOR

James G. Gwaltney
Alexander M. Atty

By

Attorneys.

UNITED STATES PATENT OFFICE.

JAMES G. GWALTNEY, OF TROY, TENNESSEE.

IMPROVEMENT IN BEE-HIVES.

Specification forming part of Letters Patent No. **152,366**, dated June 23, 1874; application filed April 25, 1874.

To all whom it may concern:

Be it known that I, JAMES G. GWALTNEY, of Troy, in the county of Obion and in the State of Tennessee, have invented certain new and useful Improvements in Bee-Hives; and do hereby declare that the following is a full, clear, and exact description thereof, reference being had to the accompanying drawings and to the letters of reference marked thereon making a part of this specification.

The nature of my invention consists in the construction and arrangement of a bee-hive, as will be hereinafter more fully set forth.

In order to enable others skilled in the art to which my invention appertains to make and use the same, I will now proceed to describe its construction and operation, referring to the annexed drawing, in which—

Figure 1 is a perspective view of my bee-hive. Fig. 2 is a longitudinal vertical section of the same, and Fig. 3 is an edge view of one of the comb-frames with honey-frame on top.

A represents the base of the hive, within which base is a drawer, B, as shown in Fig. 2. C C represent the front and back, and D D the ends of the hive, secured together, and to the base in rectangular form, as shown in the drawings. The end pieces D D extend above the upper edges of the sides C C, and the parts thus extending above are made triangular or ∇ -shaped. To the upper edge of each side piece C is hinged a door, E, which closes over the inclined edges of the end pieces D D. The hive and base are made of such relative size that the base will extend beyond the hive for a suitable distance on all four sides. In the base A, on all four sides, are inserted tubes *a a*, which lead downward in an inclined position into the drawer B. The holes or tubes *a*, at the front of the hive, are protected from the bees by means of a small strip, G, over them with a space sufficient to let the moth pass under it. In the front part of the drawer is a box, H, with a

glass, *b*, in front, so that when the miller has entered the drawer it will be attracted by the light and pass through tubes *d d* into the box, and cannot get out. I I represent the comb-frames in the main part or brood-chamber of the hive. These frames are made square to correspond with the shape of the hive, and the top bar of the frame extends beyond both side bars, and is slotted or forked at both ends to be placed over pins *i i*, which are fastened in rabbets formed in the upper edges of the front and back C C. J J are the honey-frames, made in triangular form and placed on top of the comb-frames I I. The bottom bars of the honey-frames are extended beyond the side bars, and slotted or forked to fit over the pins *i i*.

By this construction of the hive the comb-frames and honey-frames can be easily taken out and exchanged, as desired.

The hive is simple in construction, and easily made by anybody.

Having thus fully described my invention, what I claim as new, and desire to secure by Letters Patent, is—

1. The base A, supporting the hive C D, and provided with tubes *a a* on all four sides of the hive, in combination with the interior drawer B, provided with box H having glass *b* and tubes *d*, all substantially as and for the purposes herein set forth.

2. The combination of the hive C D, having its end pieces extending upward in triangular form, the doors E E, comb-frames I I, and honey-frames J J, the frames being fastened by the pins *i i*, all substantially as and for the purposes herein set forth.

In testimony that I claim the foregoing I have hereunto set my hand this 11th day of February, 1874.

JAMES G. GWALTNEY.

Witnesses:

J. K. WILLIAMS,
J. M. COMMONS.