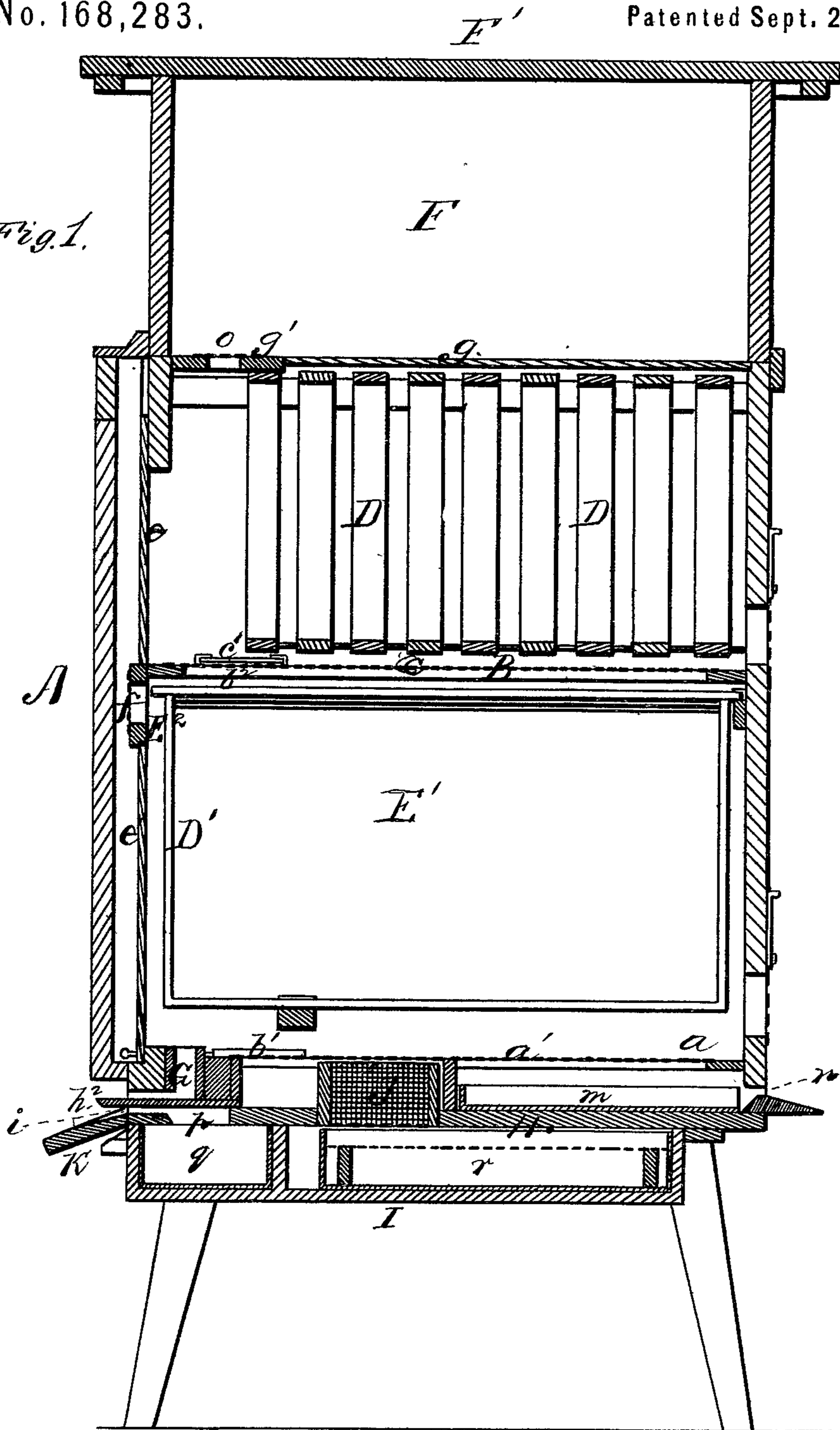


J. P. PEELER.
Bee-Hive.

No. 168,283.

Patented Sept. 28, 1875.

Fig. 1.



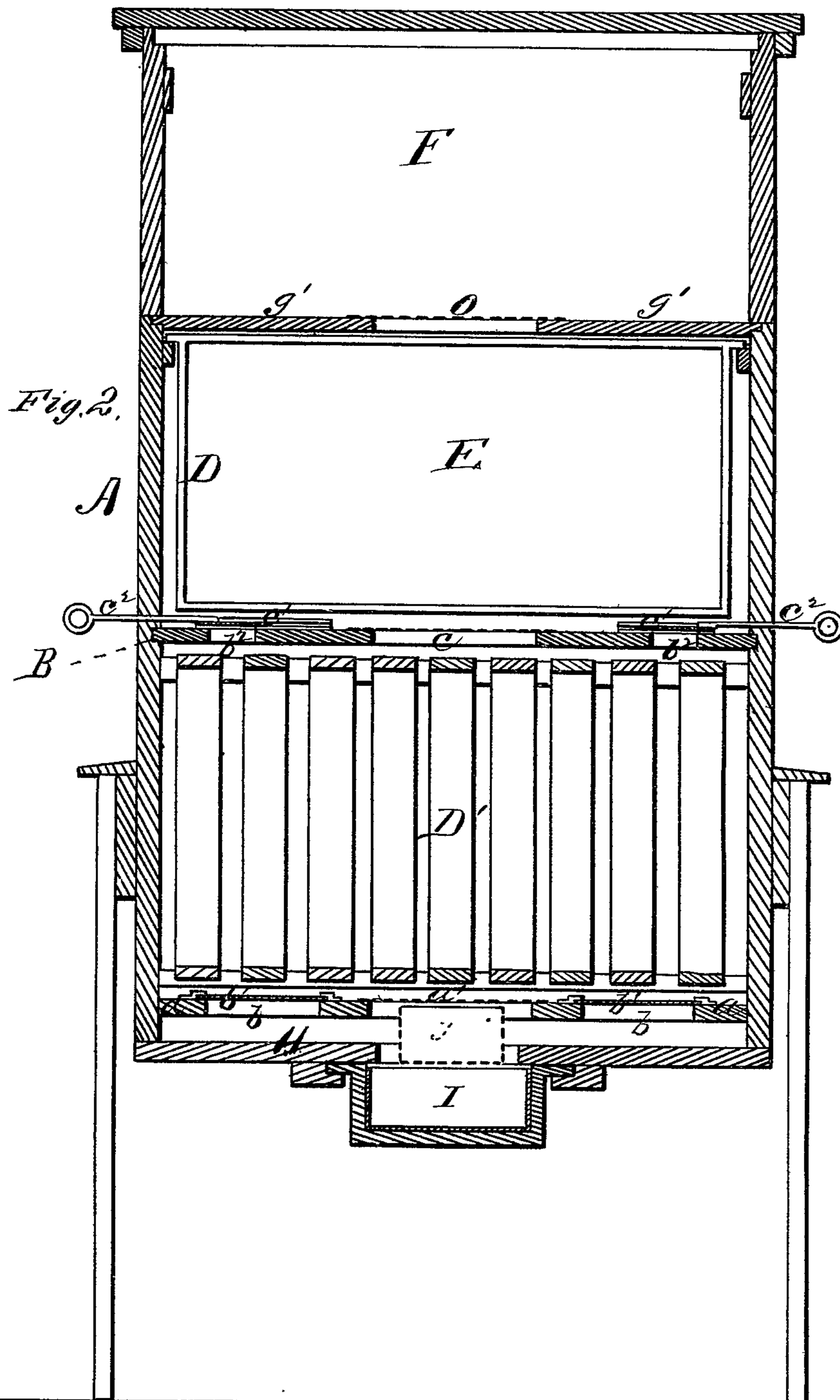
WITNESSES
E. H. Bates
Chauncey J. Olasi

INVENTOR
John P. Peeler,
Chipman & Smith,
 ATTORNEYS

J. P. PEELER.
Bee-Hive.

No. 168,283.

Patented Sept. 28, 1875.



WITNESSES
E. H. Bates
Francis J. Clasi

INVENTOR
John P. Peeler,
Chapman and Furman & Co.,
 ATTORNEYS

J. P. PEELER.
Bee-Hive.

No. 168,283.

Patented Sept. 28, 1875.

Fig. 3.

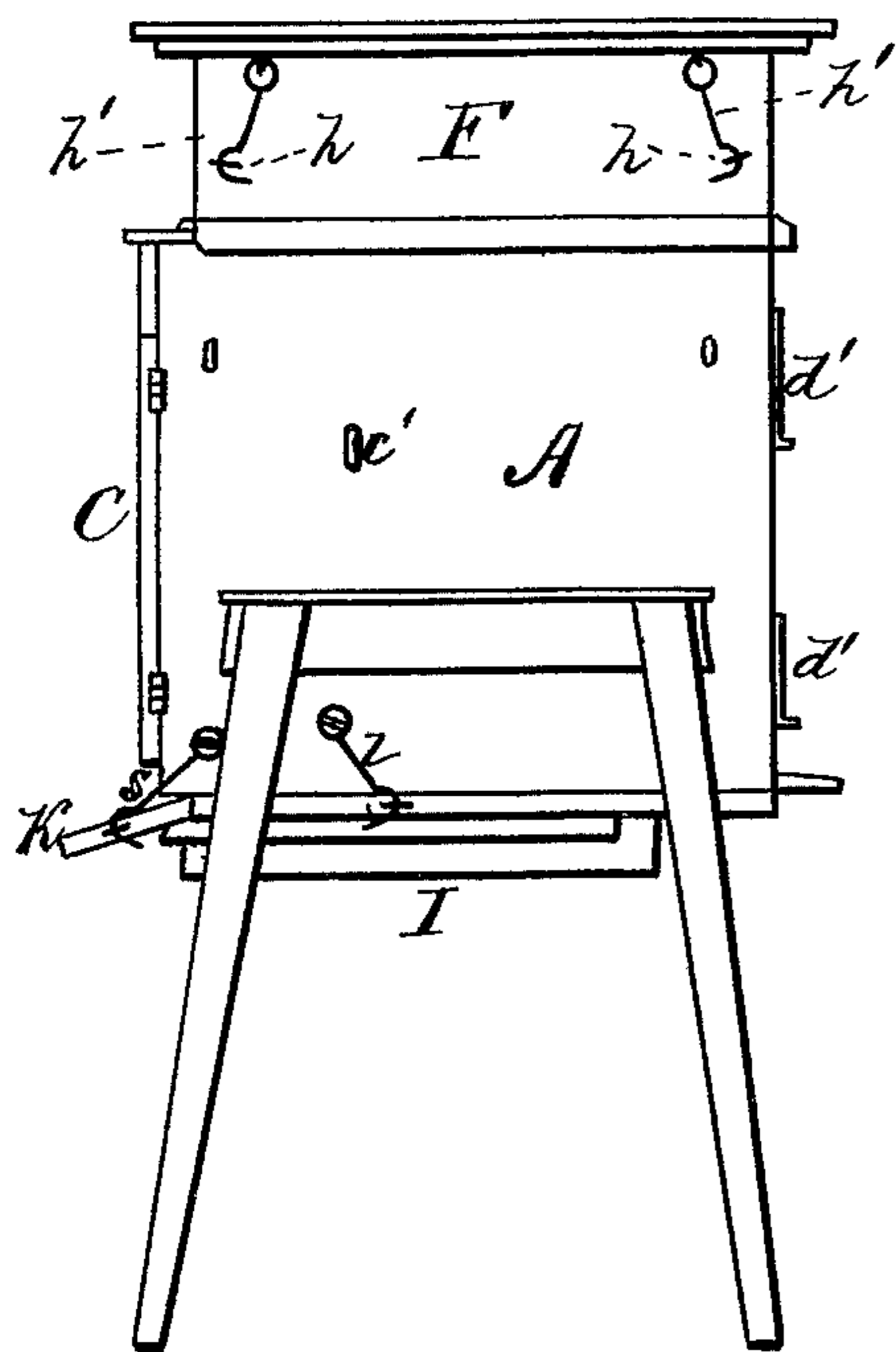


Fig. 4.

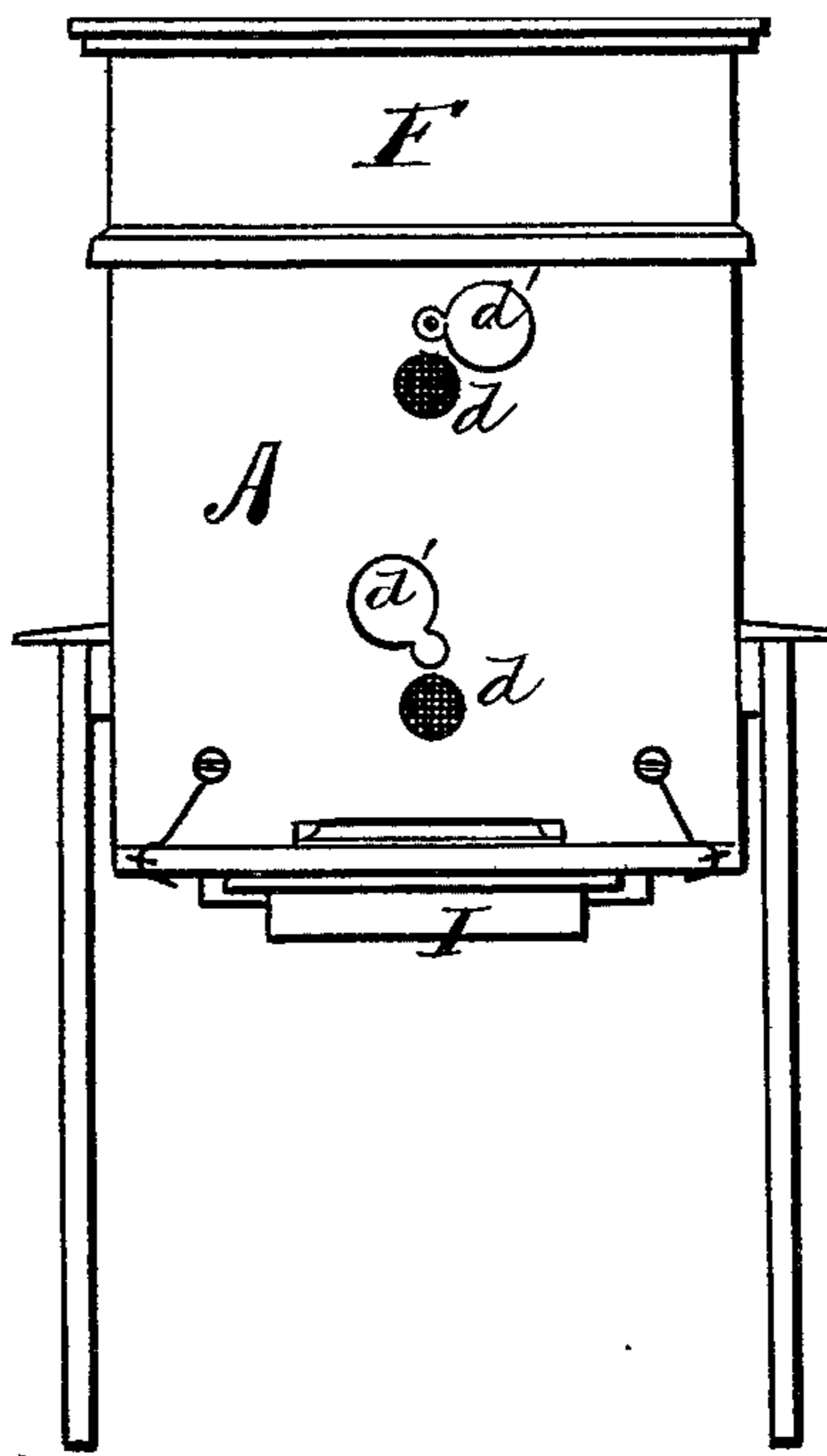


Fig. 5.

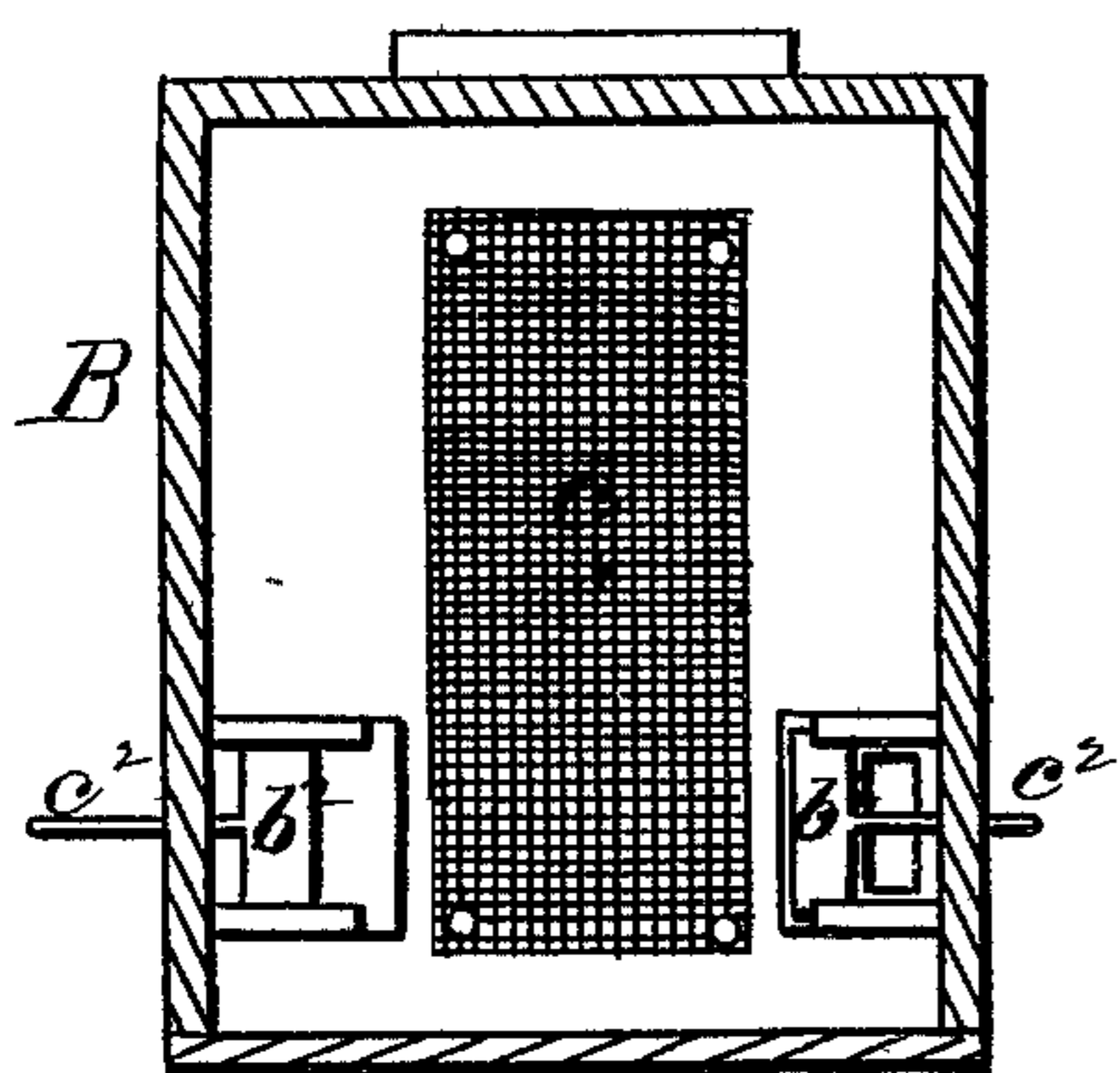
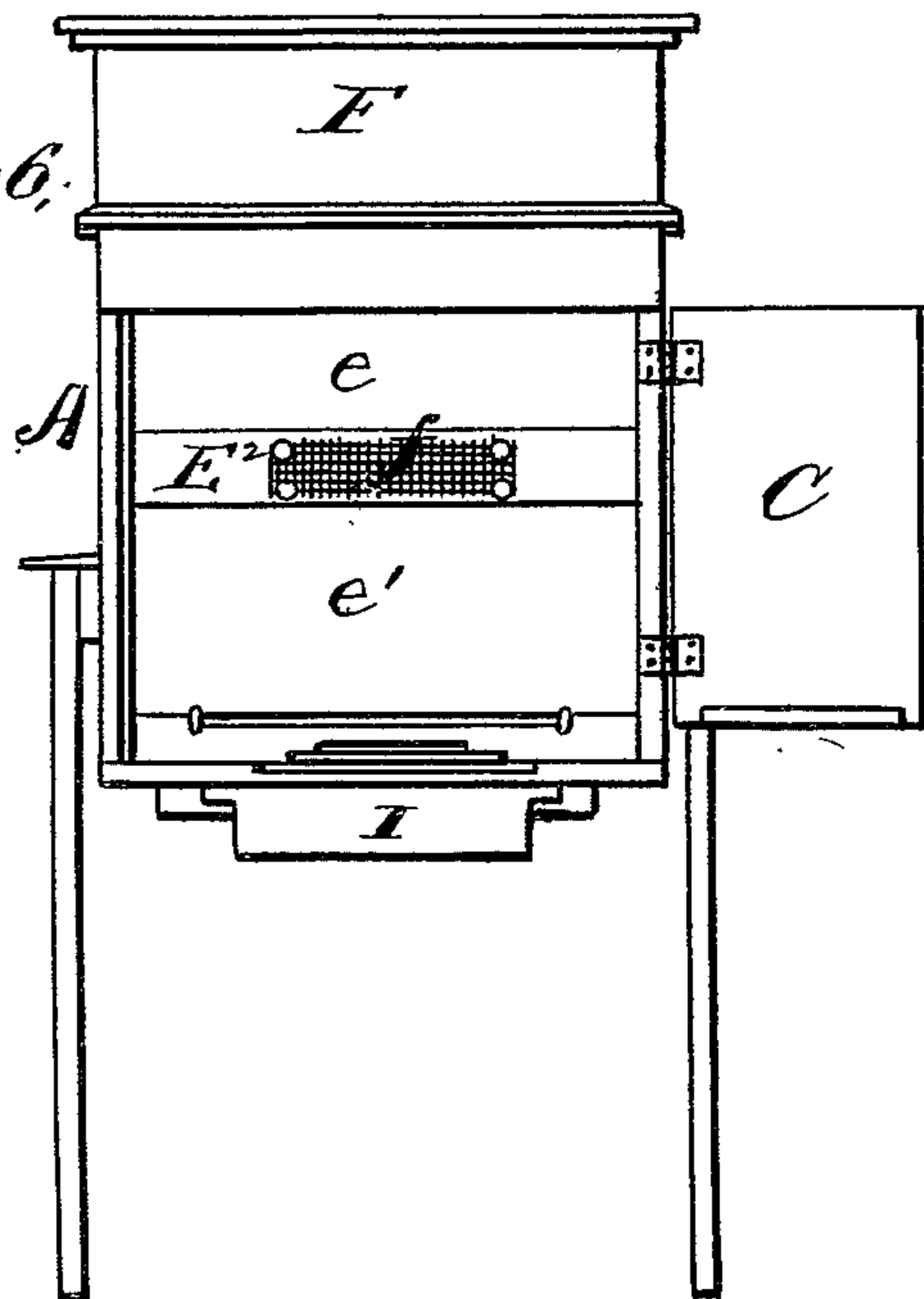


Fig. 6.



WITNESSES
E. H. Bates
Francis J. Clasi

INVENTOR
John P. Peeler,
Chipman & Co.,
 ATTORNEYS

UNITED STATES PATENT OFFICE.

JOHN PETER PEELER, OF BOONEVILLE, MISSISSIPPI.

IMPROVEMENT IN BEE-HIVES.

Specification forming part of Letters Patent No. **168,283**, dated September 23, 1875; application filed July 31, 1875.

To all whom it may concern:

Be it known that I, JOHN P. PEELER, of Booneville, in the county of Prentiss and State of Mississippi, have invented a new and valuable Improvement in Bee-Hives; and I do hereby declare that the following is a full, clear, and exact description of the construction and operation of the same, reference being had to the annexed drawings, making a part of this specification, and to the letters and figures of reference marked thereon.

Figure 1 of the drawings is a representation of a longitudinal vertical section of my beehive, and Fig. 2 is a transverse vertical sectional view of the same. Fig. 3 is a side elevation, and Fig. 4 a front elevation thereof; and Fig. 5 is a sectional detail view. Fig. 6 is a plan view.

This invention has relation to improvements in bee hives; and the nature of the invention consists in the novel construction, arrangement, and co-relation of the various devices used, as will be hereinafter more fully explained.

In the annexed drawings, A designates the body of my improved hive, consisting of an upright hollow box, open at top, and provided with a fixed bottom, *a*, slotted from front to rear, as shown at *a'*, and covered with a reticulated metallic material at the part where this slot is made. It is also provided with apertures *b* at each side, which are closed by means of sliding doors *b¹*, operated from the outside by means of handles *b¹*. This box is divided into two compartments of unequal size by means of a partition, B, in which are made a wire covered ventilating and illuminating aperture, *c*, and openings *b²*, closed by means of sliding doors *c¹*, provided with operating rods *c²*, extending through the sides of the box. The rear of this box above and below partition B is provided with one or more gauze-covered apertures, *d*, which are closed at pleasure by sliding doors *d'*, through which air and light are admitted into the divisions of the box, the front of which is provided with a hinged door, C, through which access is had to the interior of the hive. In order to inspect the condition of the colony and frames DD', arranged respectively in the honey chamber E and brood-chamber E¹, formed by par-

tion B, the front of these chambers is covered by detachable glass plates *e e'*, which are separated by means of a wooden board, E², through which a gauze covered opening, *f*, is made, for a purpose hereinafter explained. The upper end of box A is covered by means of a glass plate, *g*, which is arranged slightly above frames D, and by means of a wooden plate or board, *g'*, which is provided with a gauze-covered opening, *o*, for the purpose of allowing the animal heat of the colony to escape from the body of the hive, and yet prevent the bees from penetrating into a supplementary chamber, F, which is detachably secured upon the upper end of the box A, and is provided with a top, F, which is removably attached to the body of the hive by means of eyebolts *h* on the said chamber, and hooks *h'* upon the lid. This chamber is designed to be used as an additional chamber for honey when the lower chambers are full, and a connection is established between it and the lower chamber by removing glass plate *g* and board *g'*, which are then arranged in a rabbet in the upper end of the added section, and are protected from injury by means of the lid F', which is applied as above described. Section F is designed, like the lower chambers in the body of the hive, to be supplied with honey-frames.

Any desired number of additional sections, like the one above described, may be successively added, thus enlarging the hive, and producing a non swarming hive. When the bee-keeper desires to remove one or more comb-frames from the upper chamber of the hive, the communicating sliding doors being open, and the bee-entrance closed, smoke is blown into it through gauze covered aperture *o* in board *g'*, thus driving the bees downward into the lower chamber. These intercommunicating doors are then closed, and the contents of the upper chamber may be removed without opposition from the bees. The bees may be in like manner driven out of the lower into the upper chamber, the sliding doors *c'* being opened and the bee-entrance closed by blowing smoke through gauze-covered opening *f*, in board E², between glass plates *e e'*, and its contents removed without annoyance by the most timid operator. The bee-entrance is

formed in the lower edge of the hive by means of a flat angular tube or passage-way, G, one end of which passes through the bottom of the hive, and the other through the front thereof, near its lower edge, as shown in Fig. 1, and the exit end of this passage is provided with an inclined projecting ledge, h^2 , the functions of which will hereinafter appear. Beneath the fixed bottom a of the hive, and in close contact with the lower edges of the sides and ends thereof, which extend down below the level of the said fixed bottom, a detachable second bottom, H, is secured by means of suitable hooks l , on one end of which is arranged a preferably metallic cloth-covered trough, m , upon which is applied or spread a suitable sticky substance, as honey, molasses, common tar, and the like, for the purpose of trapping moths, ants, insects, and the like, which may have obtained access to the space between the fixed and detachable bottoms through a moth-entrance, n , made in the back of the hive. This bottom is also provided with two openings, p p' , the first of which is designed to allow moths attempting to enter the bee-entrance to have access to a sticky substance contained in a can or box, q , arranged in a drawer, I, under the said bottom, and the second to receive a preferably reticulated feed-trough, J, for the bees, the drippings from which are received into a pan, r , arranged in drawer I beneath the same. Beneath ledge

h^2 a second entrance, i , is formed, through which moths will have access to bait-box q in the said drawer, and for the purpose of more effectively conducting the moths to the bait the under side of the said ledge is beveled, as is also the corresponding upper edge of a detachable landing, K, suspended by means of hooks s to the lower front edge of the hive. By this means a tapering entrance is made, and the moths will the more readily be decoyed from the bee-entrance above into the trap q provided for their capture.

What I claim as new, and desire to secure by Letters Patent, is—

1. The combination, with a bee-hive having in its bottom sliding communicating doors b' , of a supplementary detachable bottom, H, supporting a feed-cup, J, and dripping-pan r , substantially as and for the purpose set forth

2. The combination, with a bee-hive having a lighted bottom, of the supplementary bottom H having moth feed-pan m , the drawer I having moth-decoy cup q , and the moth-openings i and m , substantially as described.

In testimony that I claim the above I have hereunto subscribed my name in the presence of two witnesses.

JOHN PETER PEELER.

Witnesses:

W. M. ALSOBROOK,
R. P. WALTHALL.