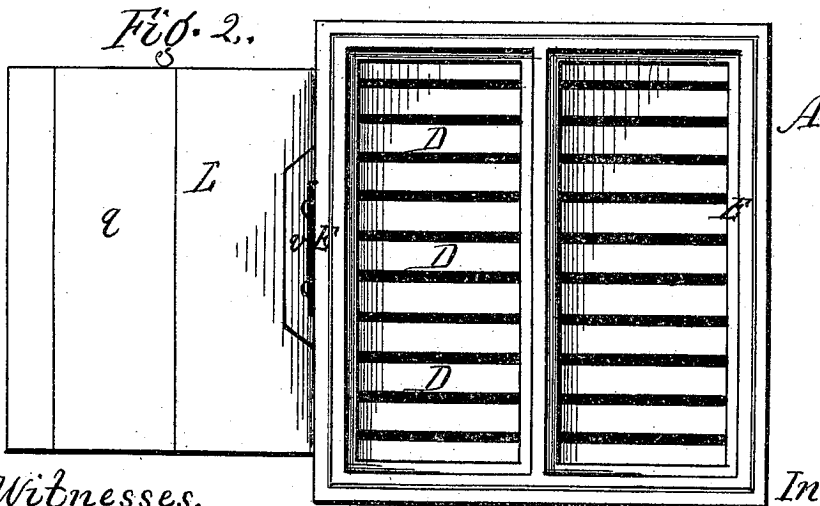
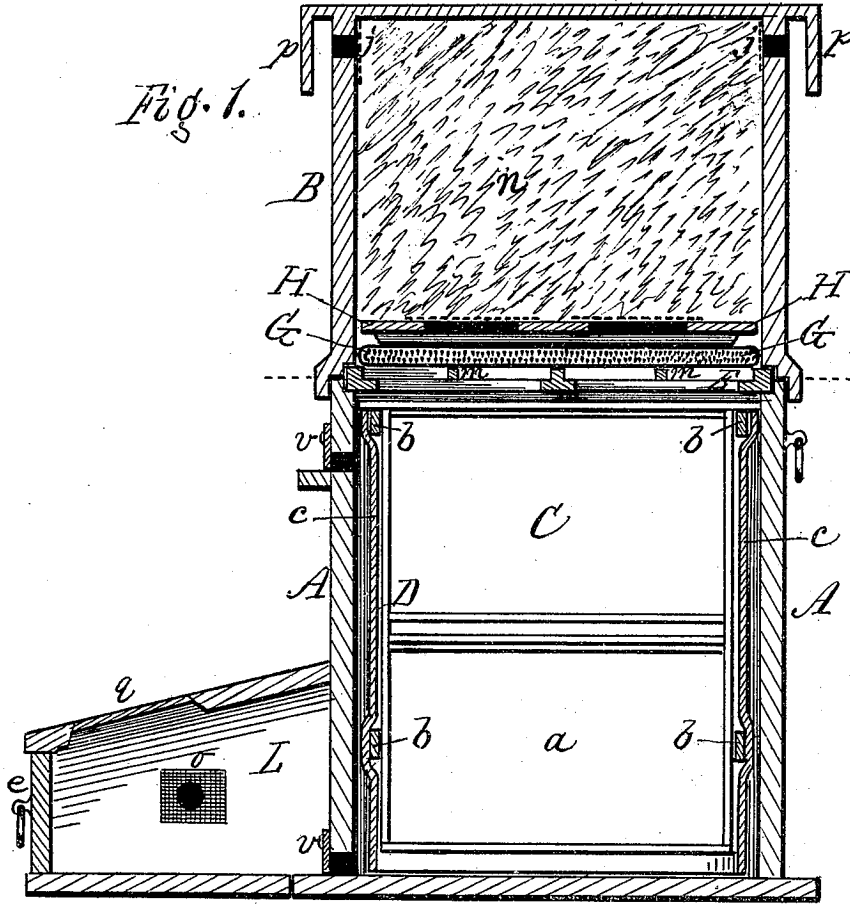


A. McQUEEN.
BEE-HIVES.

No. 175,482.

Patented March 28, 1876.



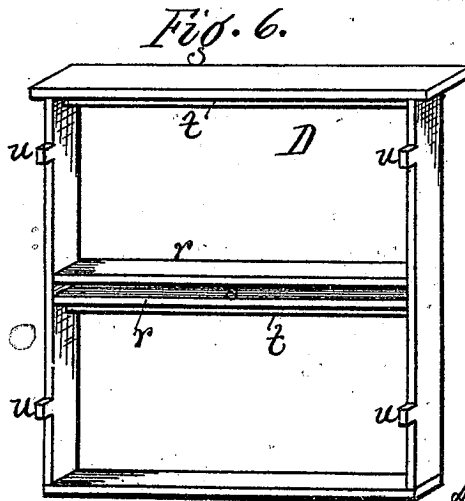
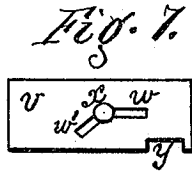
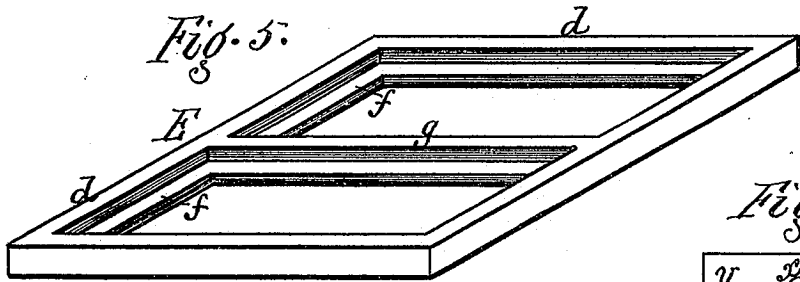
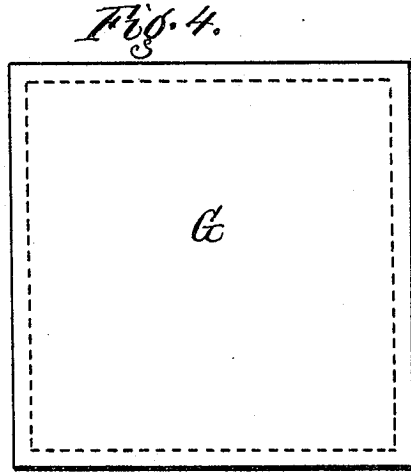
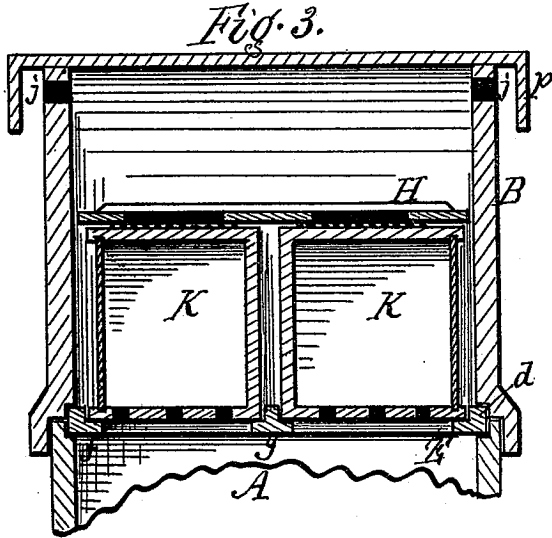
Witnesses.
E. B. Scott
Henry Burbank

Inventor.
Allen McQueen,
per R. F. Osgood,
Atty.

A. McQUEEN.
BEE-HIVES.

No. 175,482.

Patented March 28, 1876.



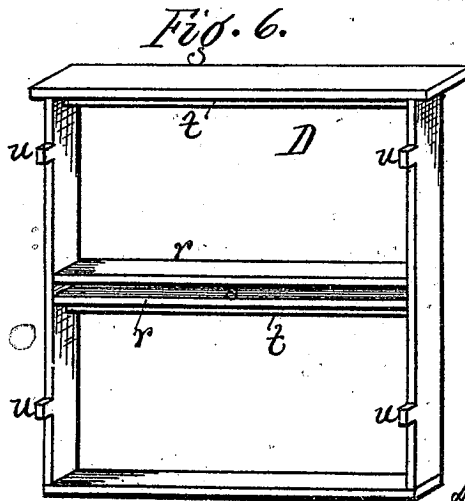
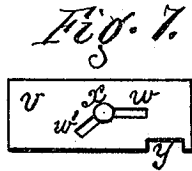
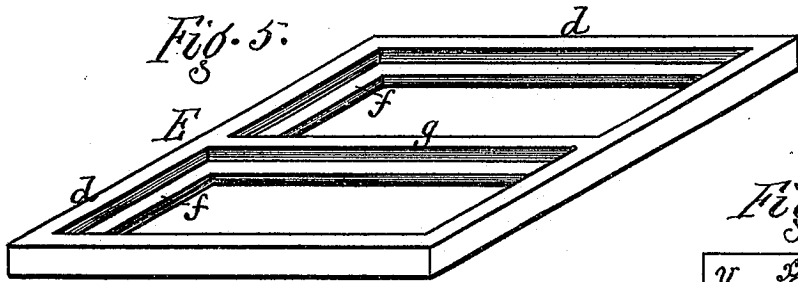
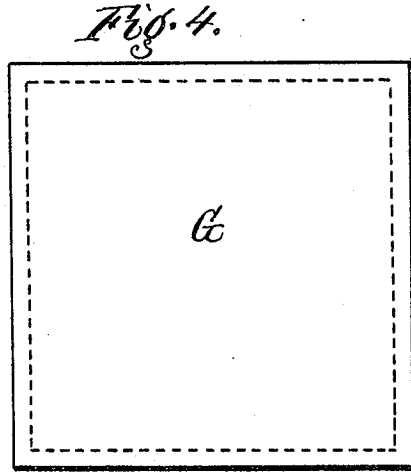
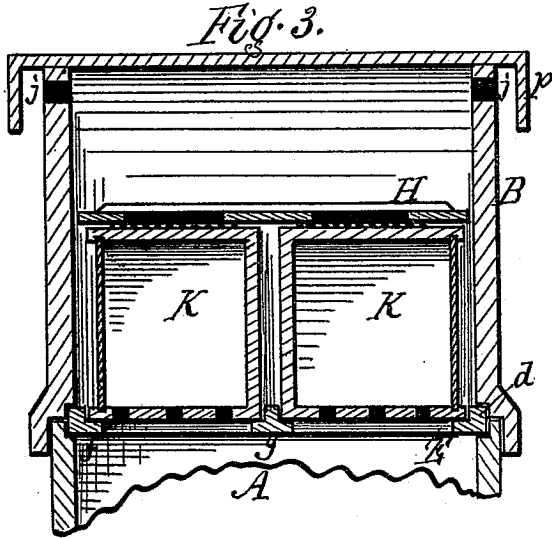
Witnesses.
E. B. Scott.
Abner Pembank

Inventor.
Allen McQueen,
per R. F. Dagood,
Atty

A. McQUEEN.
BEE-HIVES.

No. 175,482.

Patented March 28, 1876.



Witnesses.
E. B. Scott.
Abner Pembank

Inventor.
Allen McQueen,
per R. F. Dagood,
Atty

causing them to starve. These vapors, rising, are absorbed by the mat. I have frequently removed a pint of water from the mat at once.

The comb-frames *D* are constructed with two central cross-pieces, *r r*, leaving a passage, *s*, in the center. This enables the bees to pass through from one frame to another, without going around. It also compels them to form two separate combs to each frame, by which means the combs are built straighter and more compact. On the under side of each upper cross piece is a V-shaped comb-guide, *t*, which gives direction to the comb and enables the bees to build straight. On the edge of each frame are projecting lugs *u u*. This is for the purpose of keeping the comb-frames at proper distance apart. The lugs of each frame rest against the smooth back of the next frame, thereby producing the proper separation, but preserving contact, and rendering the whole series of frames stiff and compact.

v v are the slides covering the entrance-passages to the hives. They have horizontal and inclined slots *w w'*, Fig. 7, through which pass studs *x x*. This enables the slide to be elevated by the sliding movement and retained. In the lower slide the horizontal slot is uppermost, so that the slide has a degree of horizontal movement before it is raised. In one end of the bottom of this slide is cut an offset, *y*, of sufficient size to allow the passage of several bees at once. The horizontal movement enables this offset to be moved more or less across the opening into the hive, so as to gage the size to the passage of one bee alone, or more than one, as may be desired. By this

means the passage may be closed, so that the bees can defend themselves against robbers.

L is an apartment attached to the front of the hive, and covering the lower entrance-passage. In shape it is somewhat similar to the moth-traps and bee-feeders which are sometimes attached in front of hives, but is larger, being about nine by fourteen inches. It is constructed with a sliding door, *e*, in front, and with ventilating-holes *o o* at the ends, covered by wire-gauze. It also has a sloping roof, with a glass pane, *g*, set therein to admit light. Its object is to furnish the bees a circulating-apartment where they can obtain air, light, and exercise in winter. It is also sometimes of service in summer to confine weak colonies to protect them from robbers. It differs from ordinary moth and feeding boxes, in being of larger size, and also of different construction.

I claim, in a bee-hive—

1. The comb-frames *D*, constructed with the cross-slats *r r*, with passages *s* between, the lugs *u u* and comb-guides *t*, as and for the purpose specified.

2. The notched slide *v*, constructed with the combined horizontal and inclined slats *w w'*, whereby the slide is moved horizontally, and then raised vertically by a single action on the slide, as herein shown and described.

In witness whereof I have hereunto signed my name in the presence of two subscribing witnesses.

ALLAN McQUEEN.

Witnesses:

ARDEN SANFORD,
JOHN D. GIFFORD.