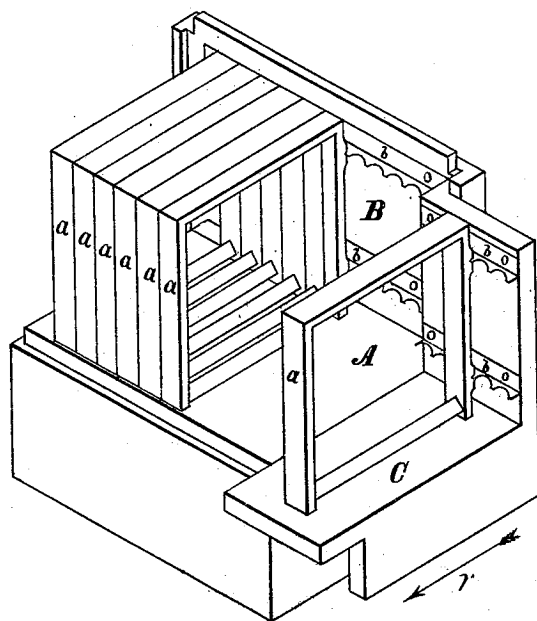


E. ARMSTRONG.
BEE-HIVE.

No. 175,547.

Patented April 4, 1876.



WITNESSES

H. Ford
L. J. Casavant

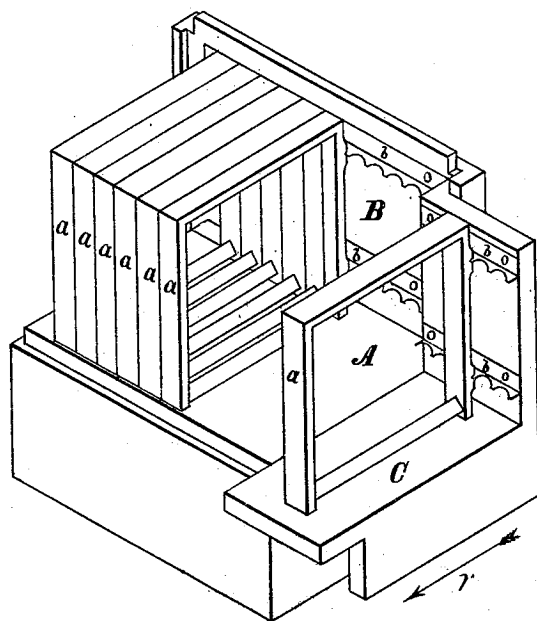
INVENTOR

Elwin Armstrong,
by J. S. Davenport, Atty.

E. ARMSTRONG.
BEE-HIVE.

No. 175,547.

Patented April 4, 1876.



WITNESSES

H. Ford
L. J. Casavant

INVENTOR

Elwin Armstrong,
by J. S. Davenport, Atty.