

C. O. PERRINE.

HONEY-CASE OR PACKAGE.

No. 176,346.

Patented April 18, 1876.

Fig. 1.

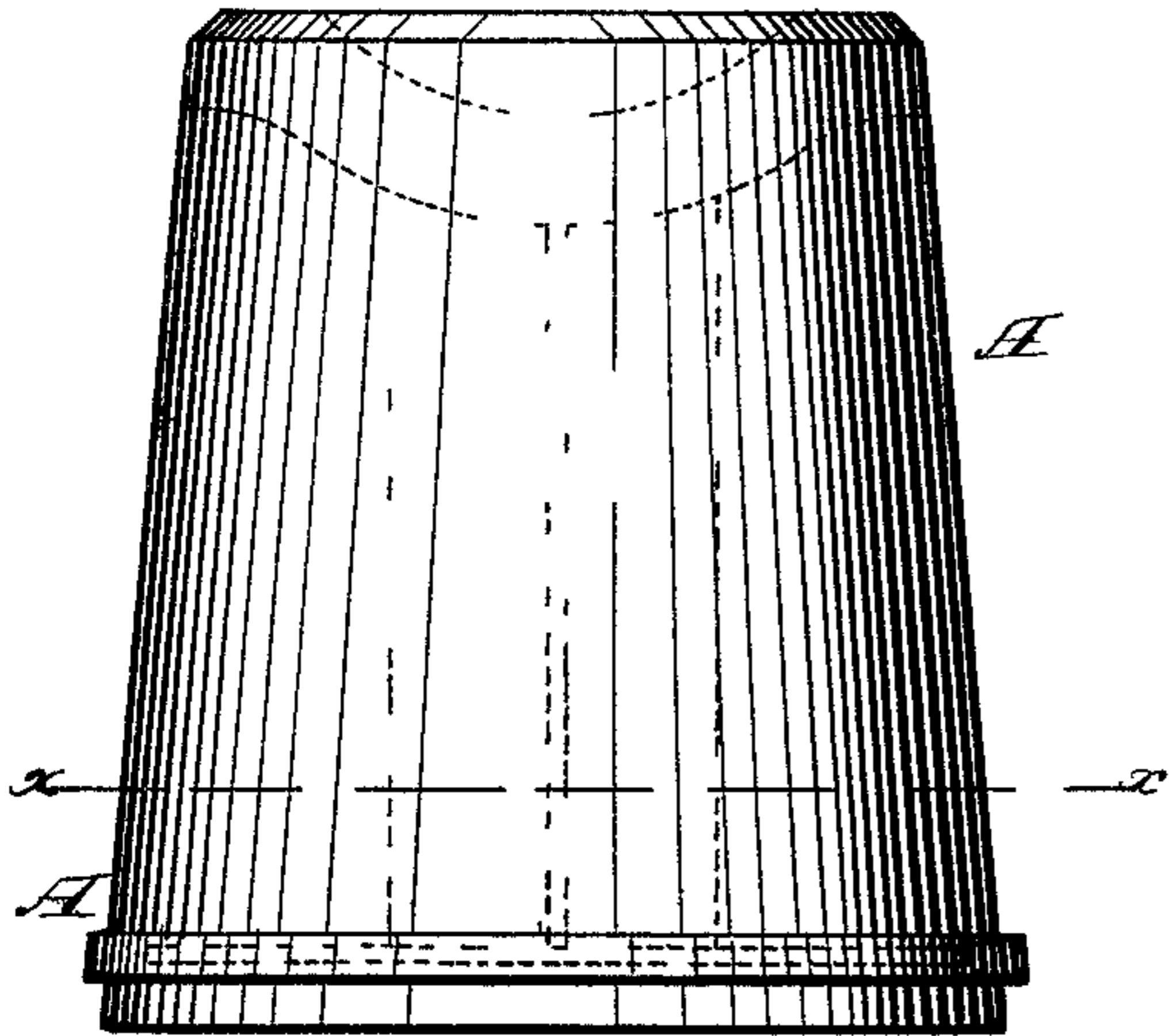


Fig. 2.

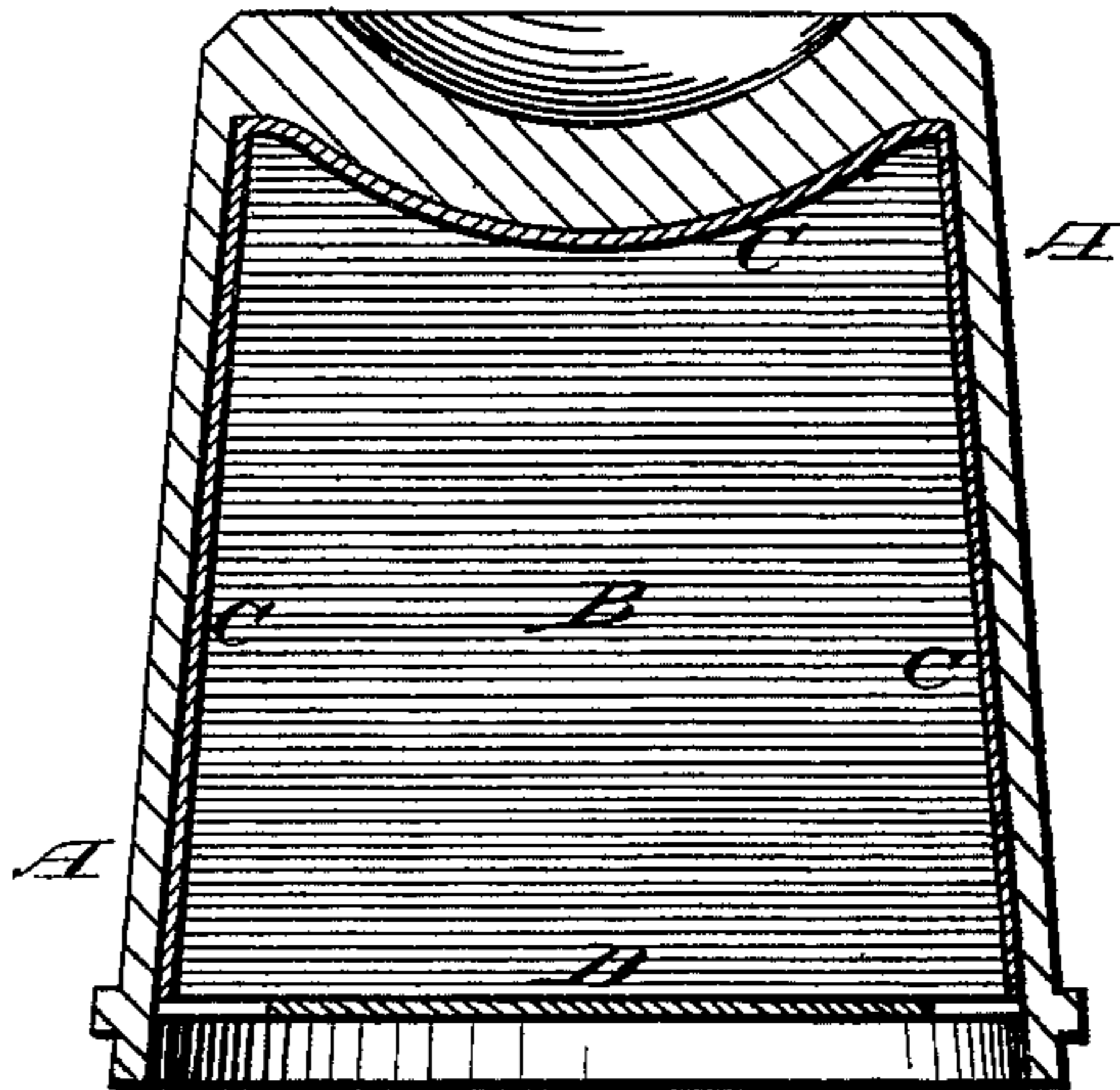
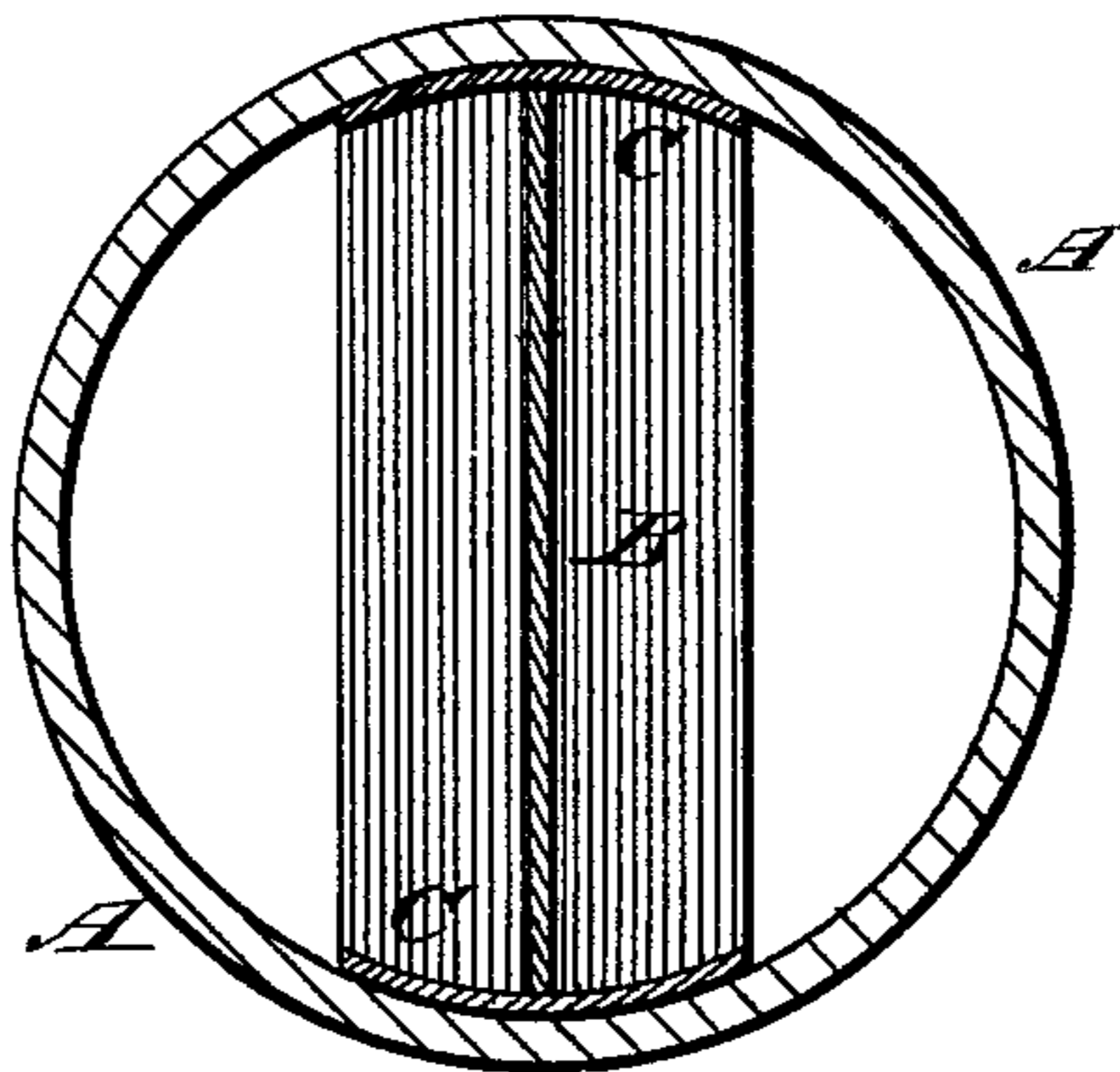


Fig. 3.



Witnesses:

L. L. Bond
A. W. Bond.

Inventor:

Charles O. Perrine

UNITED STATES PATENT OFFICE.

CHARLES O. PERRINE, OF CHICAGO, ILLINOIS.

IMPROVEMENT IN HONEY CASES OR PACKAGES.

Specification forming part of Letters Patent No. **176,346**, dated April 18, 1876; application filed February 25, 1876.

To all whom it may concern:

Be it known that I, CHARLES O. PERRINE, of the city of Chicago, Cook county, State of Illinois, have invented a new and useful Improvement in Honey Cases or Packages, of which the following is a full description, reference being had to the accompanying drawings, in which—

Figure 1 is an elevation, Fig. 2 a vertical section, and Fig. 3 a cross section.

The object of this invention is to provide the building, or containing case or package, with a border or lining for the edges of the comb, so that the comb will not adhere to the package or case, and so that the comb can be removed from the case or package in which it was built without breaking the outer or border cells, and so that in case it is built or put into a glass case or package the raw or unfinished edges will not be exposed; and its nature consists in placing within the case or package a strip or lining suitably prepared, so that the bees will build to or against it; and in so locating, in connection therewith, a foundation for the comb that the bees will complete and fill the comb on the desired lines, or in the proper places.

In the drawings, A represents an inverted tumbler, or glass case or package; B, a section of comb-foundation, and C the border or lining. The case or package may be of the form shown; and it may be made of glass and wood, or wood alone, or it may be a simple frame with open sides set into a larger case. The comb foundation B may extend to the bottom, as shown, or it may be a short section, just sufficient to start the bees in the right direction. The border or lining C is, for glass, preferably made of paper waxed on the inside, so that the bees will build against it without difficulty, and when it is desired to let the lining or

any portion of it remain, it may be made to adhere by wax, gum-tragacanth, glue, or other suitable adhesive material; and in this case labels or business-cards may be printed thereon, and so placed as to be read through the glass.

When the honey is to be removed with its comb, then the lining or border C will be supported or held in place by the comb foundation B extending down and resting upon the comb-rest D, or by other suitable support, which will be embedded in the comb. When the package or case is made of wood, or partly of wood, the bottom of the case will take the place of the comb rest D, or will become the comb-rest.

The comb-foundation B may be prepared of wax in the usual way; or it may be made of paper or thin wood suitably waxed or prepared, and the lining C, for use in wood cases, may be made of thin veneer or other thin wood, which will prevent the bees from attaching the comb to the case, frame, or package within which the comb is built.

When the comb-foundation is circular, or of such form that the bees will not build against the sides of the case or package, the vertical portions of the lining will be omitted, as a simple top lining or head will be sufficient.

What I claim as new, and desire to secure by Letters Patent, is—

The border or lining C and comb foundation or support B, in combination with an outer case, package, or frame, substantially as specified.

CHARLES O. PERRINE.

Witnesses:

L. L. BOND,
O. W. BOND.