

E. & C. MAGINN.
SHOW CRACKER BOXES.

No. 176,974.

Patented May 2, 1876.

Fig. 1.

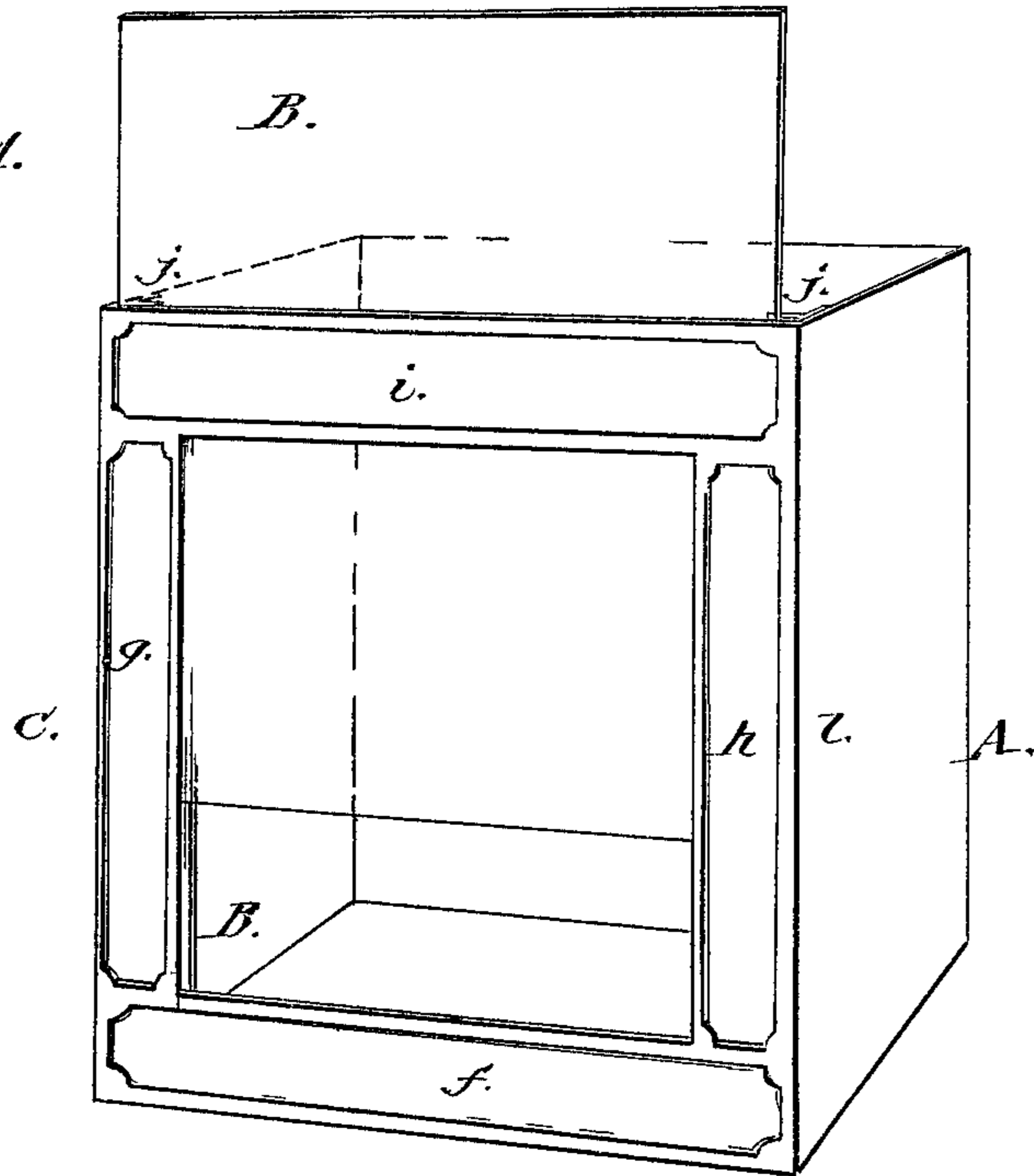
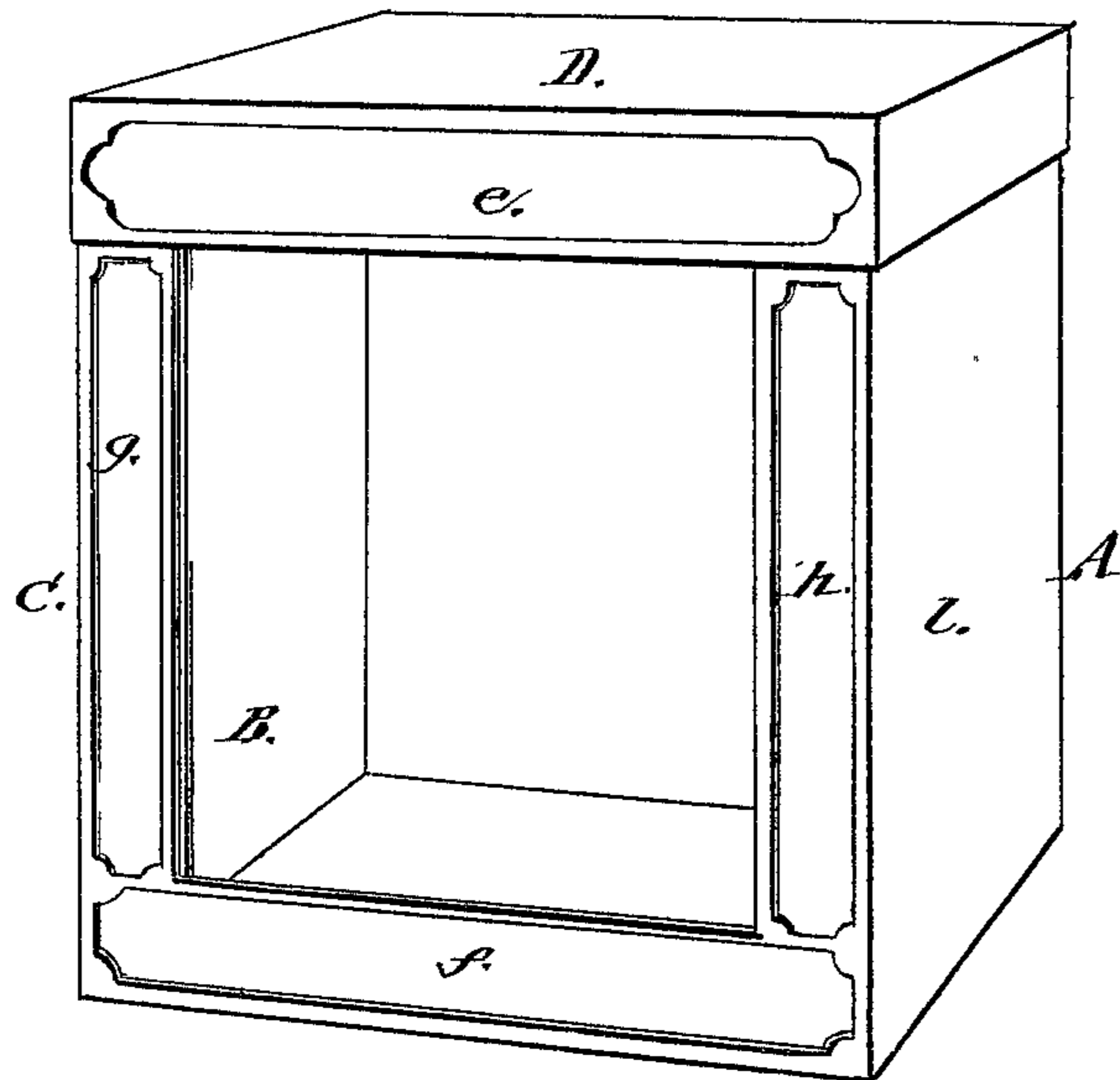


Fig. 2.



Witnesses:

Charles Maginn
A. P. Bailey

Inventors

Edward Maginn
Charles Maginn

E. & C. MAGINN.
SHOW CRACKER BOXES.

No. 176,974.

Patented May 2, 1876.

Fig. 3.

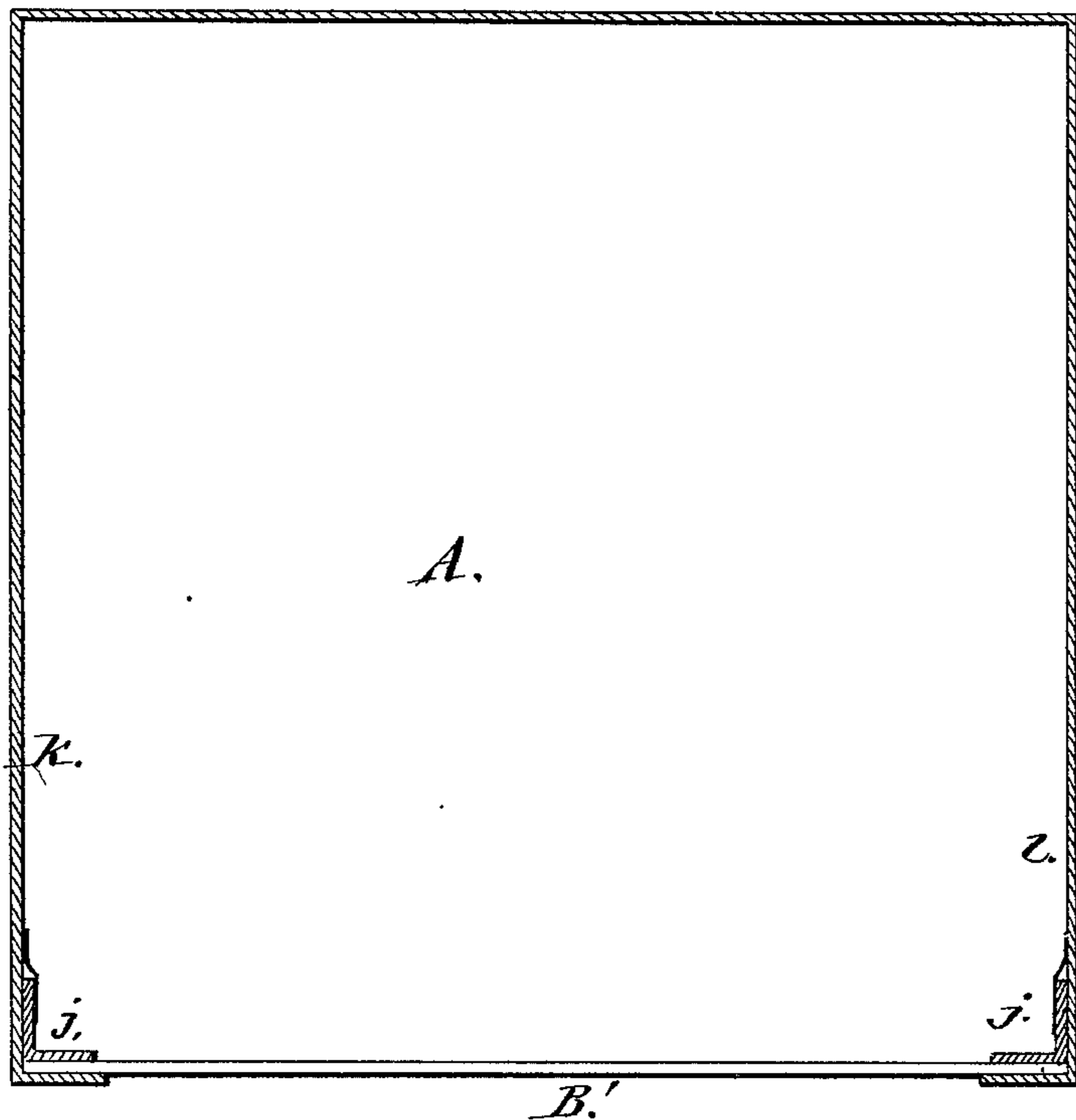
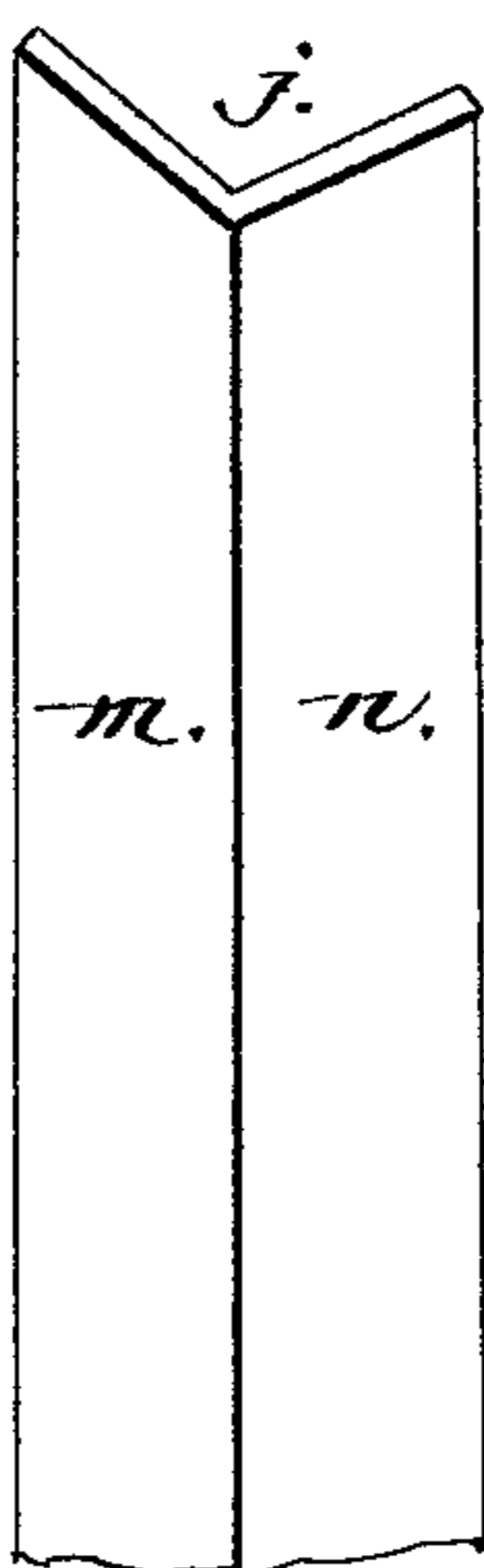


Fig. 4.



Attest:
 Edw. W. Donn
 T. W. Hay

Inventor:
 Edward Maginn
 Charles Maginn
 By J. J. Johnston & Bros
 their attorneys

UNITED STATES PATENT OFFICE.

EDWARD MAGINN AND CHARLES MAGINN, OF ALLEGHENY, PA.

IMPROVEMENT IN SHOW CRACKER-BOXES.

Specification forming part of Letters Patent No. 176,974, dated May 2, 1876; application filed April 19, 1873.

To all whom it may concern:

Be it known that we, EDWARD MAGINN and CHARLES MAGINN, both of Allegheny, in the county of Allegheny and State of Pennsylvania, have invented a certain new article of manufacture—viz., a Paper Show-Box for Crackers, &c.; and we do hereby declare that the following is a full, clear, and exact description thereof, reference being had to the accompanying drawings, and to the letters of reference marked thereon.

The nature of our invention relates to a new article of manufacture—viz., a paper show-box for crackers, &c., constructed of that class of paper known as pasteboard, and consisting of a body and lid, the former being provided with a detachable transparent panel, held in position with relation to its frame through the medium of pasteboard guides.

To enable others skilled in the art to make and use our new article of manufacture, we will proceed to describe its construction and operation.

In the accompanying drawings, which form part of our specification, Figure 1 is a perspective view of the body of the box, representing its glass panel partly removed. Fig. 2 is a perspective view of the body of the box and its lid. Fig. 3 is a transverse section of the box at line *y* of Fig. 2. Fig. 4 is a perspective view of the guides used for holding the detachable glass panel in juxtaposition with relation to its frame.

A represents the body of the box, which is constructed of pasteboard, having a square opening, B, in one of its sides, forming a frame, C. The outside walls of the body of the box and its lid are covered with ornamental paper, and the frame C and the front edge of the lid D are furnished with panels or representation of panels, *e f g h*, upon which names may be placed. On the inside of the box, near the inner wall of the frame C, are attached guides *j*, constructed of heavy pasteboard, which are formed by bending the paper

at right angle, as represented in Fig. 4. These guides extend from the top edge of the box to its bottom, and are secured to the sides *k* and *l* of the box by pasting the part *m* to the side *k*, and the part *n* to the side *l*. The inner walls of the guides *j* are covered with a thinner paper than that of which the guides are constructed, and this thin paper extends beyond the parts *m* and *n* of the guides, and is pasted to the sides *k* and *l* of the box, thereby more permanently securing the attachment of the guides. The guides *j* are used for the purpose of holding the detachable glass plate closely against the inner wall of the frame C, as indicated in Fig. 3. By having the glass panel B' detachable, as hereinbefore described, it can be removed (as indicated in Fig. 1) with ease and facility, for the purpose of cleaning it or for replacing it in case of breakage by accident.

We wish it clearly understood that we do not claim, broadly, the use of glass in show-boxes. We are also aware that metallic cans or boxes having a hinged cover or lid, and provided with a glass front and rear partition, for the purpose of displaying goods upon the shelf or counter, is not new; nor do we desire to claim such a construction; but,

Having thus described our invention, what we claim as new, and desire to secure by Letters Patent, is—

As a new article of manufacture, a show-box for crackers, constructed of straw paper pasteboard, provided with a glass front, held in position by the angular guides *j*, the edges of the pasteboard frame extending over upon the glass front, so as to form ornamental borders *i f g h*, substantially as and for the purpose described.

EDWARD MAGINN.
CHARLES MAGINN.

Witnesses:

CHAS. F. MCKENNA,
A. BAILIE.