

H. F. POGGENPOHL.
BEE-HIVE.

No. 191,612.

Patented June 3 1877.

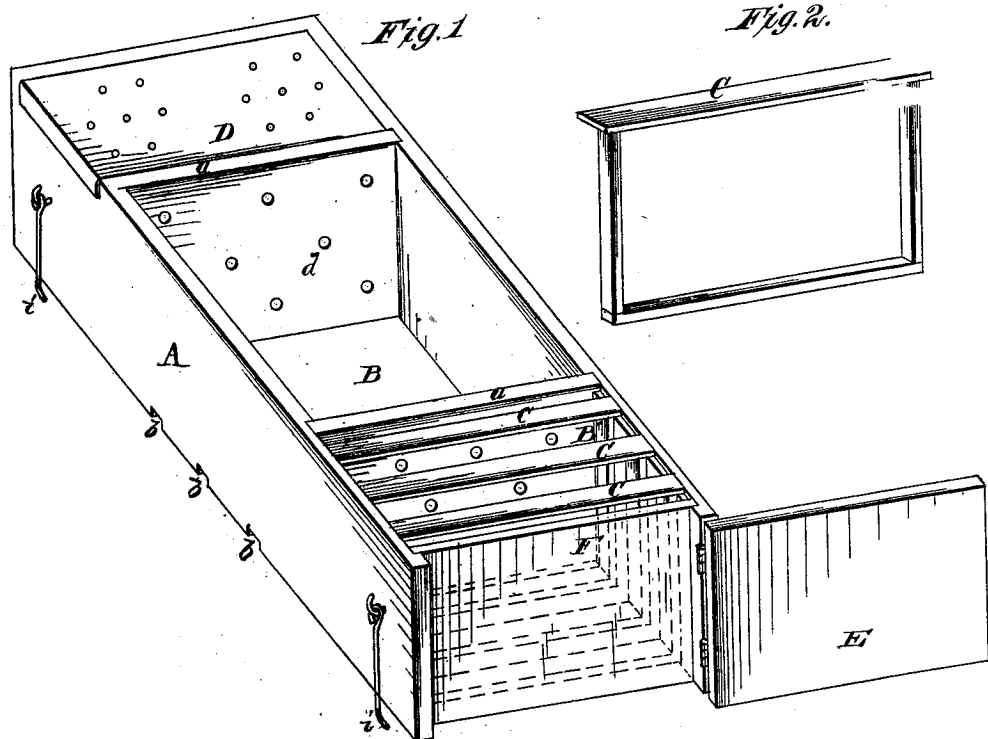


Fig. 1

Fig. 2.

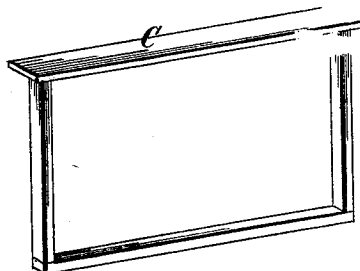
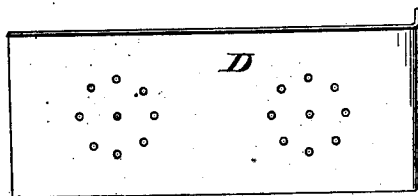


Fig. 3.



Witnesses:

J. P. Miller
J. N. Seyde

Inventor:

Harriet Grant Poggenpohl

Geo. W. Temple atty

H. F. POGGENPOHL.
BEE-HIVE.

No. 191,612.

Patented June 5, 1877.

Fig. 4.

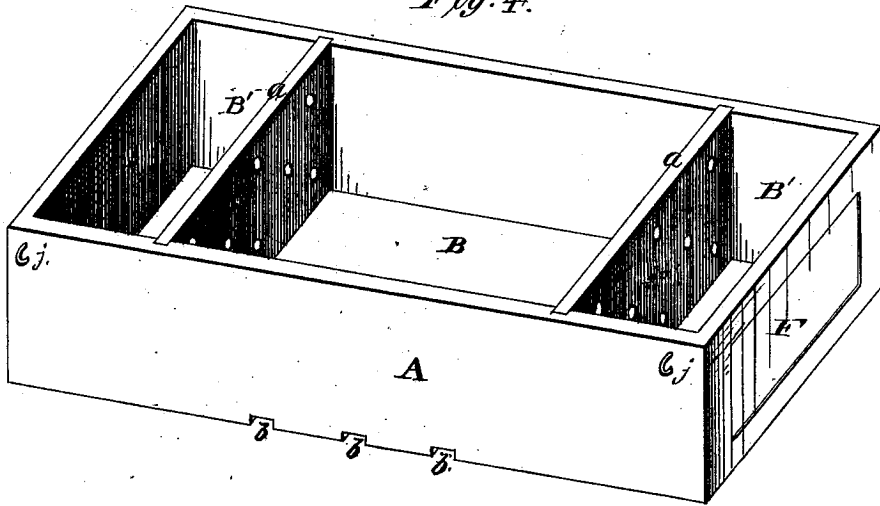
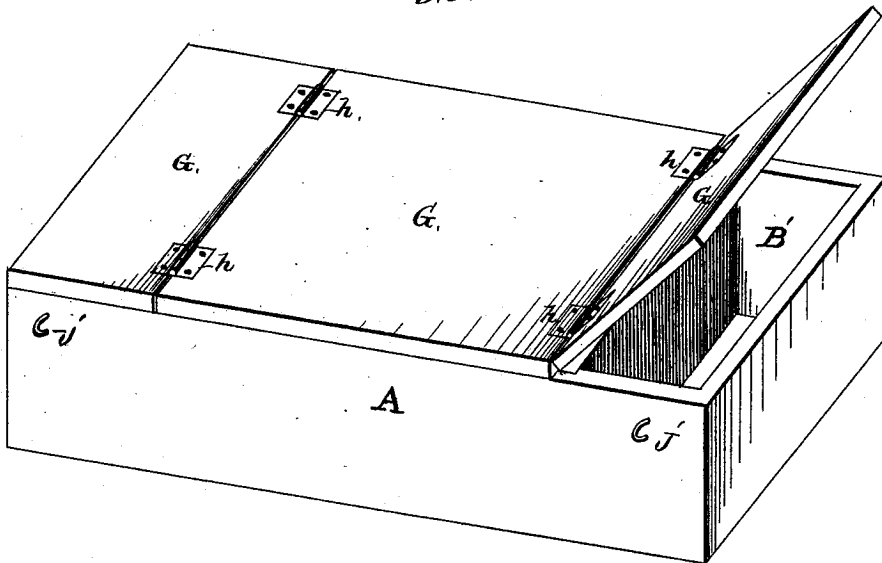


Fig. 5.



Witnesses:

J. B. Miller
L. V. Seyde

Inventor:

Henrich Frank Poggenpohl
J. M. Kempin atty

UNITED STATES PATENT OFFICE.

HENRICH FRANK POGGENPOHL, OF IOWA CITY, IOWA.

IMPROVEMENT IN BEE-HIVES.

Specification forming part of Letters Patent No. 191,612, dated June 5, 1877; application filed October 11, 1876.

To all whom it may concern:

Be it known that I, HENRICH F. POGGENPOHL, of Iowa City, in the county of Johnson, State of Iowa, have invented a Bee-Hive; and I do hereby declare that the following is a full and exact description thereof, reference being had to the accompanying drawings, and to the letters of reference marked thereon, making a part of the specification, in which—

Figure 1 is a perspective of a single case or hive, with top or cover removed and end door turned back. Fig. 2 shows one of the honey-frames. Fig. 3 is a view of one of the zinc covers for the end compartments. Fig. 4 is a perspective, with top or cover removed to show the internal construction of each case or hive. Fig. 5 is a perspective, showing the case or hive with hinged covers.

The object of present invention is to provide a bee-hive that can be cheaply made, readily cleaned, and that shall afford protection from insects and vermin, and to which access can be easily had at all times for inspection and for removal of honey, &c.; and to this end it consists more particularly in constructing said hive of a single case, or of several cases of like construction, of any suitable size and dimensions, each case having three compartments, so made and adapted as to allow the bees ready ingress and egress, and suitably provided with hinged or other cover, and glass panels, all as will now be more specifically set out.

In the accompanying drawings, A denotes a case or hive of any suitable shape and size, and so provided, by means of internal partitions *a a*, which can be made removable, that it has three compartments, B B' B', the central one, B, being of considerably larger dimensions than those at the ends. To this compartment B ready means for ingress and egress will be afforded the bees at the openings *b b* in the bottom, which can be made by grooves or slits in any usual or convenient way, and likewise communication between the internal compartments can be had by them through the perforated partitions *a a*.

In the end spaces B' B' can be placed, so that they stand at right angles to chamber

B—that is, parallel with partitions *a*—several removable frames or partitions, C, in suitable grooves provided for that purpose, or they may hang from ledges or cleets; or they can be adapted in any convenient manner for easy insertion and removal. These are adapted for the deposition of the honey-comb, and, being removable, can be detached and replaced at will.

I have also provided horizontal perforated partitions D, usually made of zinc, which can be placed over the end chambers when desired, so as to cut off communication between the upper and lower cases when the hive is composed of more than a single case.

For ready access to the end compartments, I may use a sliding or hinged door or gate, E, and I may provide, by sliding partition, or panels in the door or slide at any suitable place in each case, glass or other transparent material, as now shown at F, to enable the interior of the compartment to be examined.

The top of the case of a hive can be covered by lids G, hinged at *h*, substantially as now shown in Fig. 5, or in any desirable way, to afford easy access to the interior.

When two or more cases are used to make a single hive, it is only needed to place one upon the other in regular order, and the several cases so adjusted can be held in place by hasps *i* and hooks *j*, or by any suitable means.

The whole hive may be covered, for protection against rain-storms, by any suitable roof; and on occasion, as for winter, the hive can be incased in a suitable box.

I am aware that heretofore bee-hives have been made in separate cases, so that by using more or less of said cases the hive could be made larger or smaller at will; and, also, that valves or like means have been used for controlling the apertures in the partitions between the several chambers in a hive, and do not, therefore, lay claim to such construction as of itself new.

Having thus described my invention, what I consider new, and desire to secure by Letters Patent, is—

In a bee-hive, the case A, provided with a

large central ventilating and breeding chamber, B, with bee and air entrances, *b*, and provided with end walls *a*, having perforations *d*, leading into end chambers B' B', furnished with comb-frames, having their tops covered by removable sliding plates D, provided with ventilating-holes leading to a

similarly constructed case lying over the case A, substantially as described, and for the purposes set forth.

HENRICH FRANK POGGENPOHL.

Witnesses:

J. B. MILLER,

I. N. SEYDL.