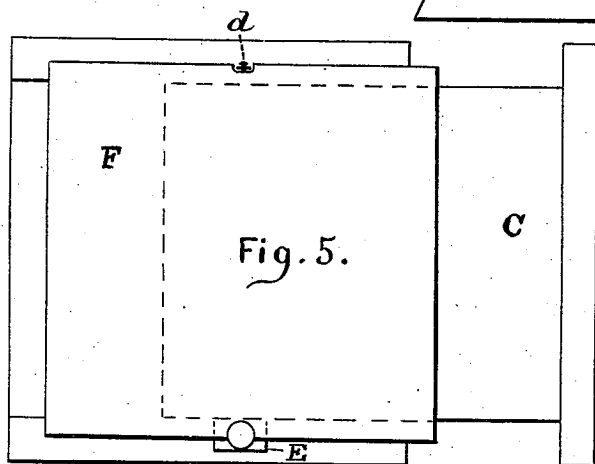
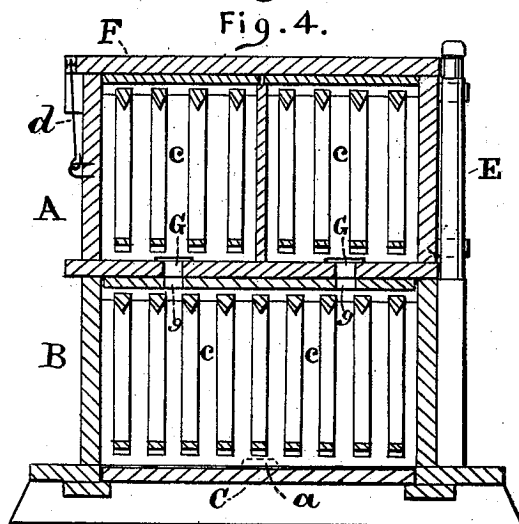
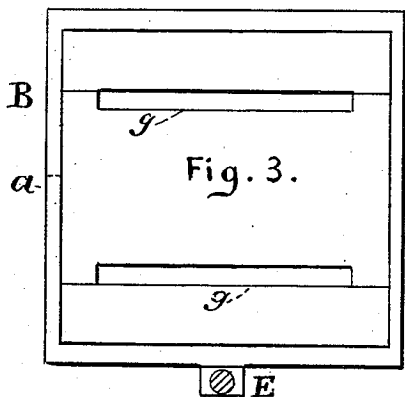
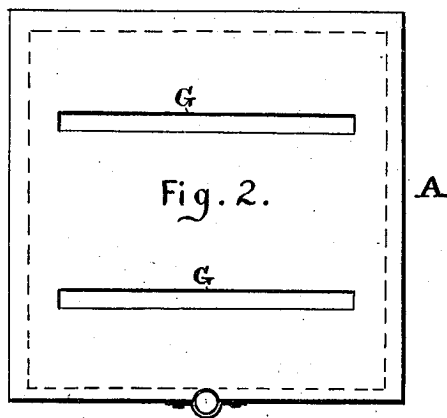
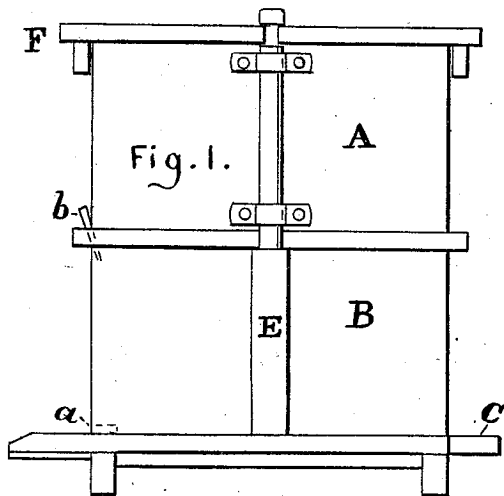


R. McINTURFF.

BEE-HIVES.

No. 193,377.

Patented July 24, 1877.



Witnesses :

H. A. Daniels
C. P. Grodwin

Inventor :

Robert McInturff
by *Theo. Munger*
Attorney.

UNITED STATES PATENT OFFICE.

ROBERT McINTURFF, OF BURNSVILLE, NORTH CAROLINA.

IMPROVEMENT IN BEE-HIVES.

Specification forming part of Letters Patent No. 193,377, dated July 24, 1877; application filed March 6, 1877.

To all whom it may concern:

Be it known that I, ROBERT McINTURFF, of Burnsville, in the county of Yancey and State of North Carolina, have invented certain new and useful Improvements in Bee-Hives; and I do hereby declare that the following is a full, clear, and exact description of the same, reference being had to the accompanying drawings making a part of this specification, in which—

Figure 1 is a side view of my invention, showing the upright on which the top section swings. Fig. 2 is a bottom view of the top section of my hive, showing the apertures through which the bees ascend from the lower section to the upper one when said apertures are open. Fig. 3 is a top view of the lower section of the hive, showing outlets *g* from the lower to the upper section. Fig. 5 shows the sliding bottom partially removed, and Fig. 4 is a vertical sectional view of the upper and lower sections.

The hive is made in two sections, and the upper or top section is hinged to a rigid upright attached to the lower section. The upper section can be detached from the lower section by simply swinging it around on the rigid upright attached to the lower section, when it is desired to disconnect the sections for any purpose whatever.

In the accompanying drawing, similar letters of reference indicate like parts in the invention.

A is the upper section; B, the lower section, and C the sliding bottom. E is the upright attached to the lower section, and on this upright the upper section swings. F is the cover to the upper section, and is removable.

G G are the apertures in the bottom of the upper section, through which the bees pass from the lower section when said apertures are open. These openings may be so constructed as to be opened and closed from the outside of the hive when desired.

a is the opening through which the bees enter the hive. *b* is a pin, by which the upper section is fastened to the lower one when it is desired to keep the sections in place. *c* represents the movable comb-frames in the sections. *d* is the hasp which fastens the cover to the upper section.

Having thus described my improvements, what I claim as new and useful, and desire to secure by Letters Patent, is—

In a bee-hive, the section A, hinged to and swinging upon the upright E, rigidly attached to the section B, substantially as and for the purpose set forth.

In testimony that I claim the foregoing improvements, as above described, I have hereunto set my hand and seal this 23d day of October, 1876.

ROBERT McINTURFF. [L. S.]

Witnesses:

N. E. W. WILSON,
W. W. PROFFITT.